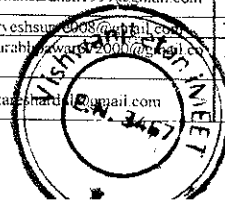


Mechanical Engineering
1.3.3

Mechanical Engineering Department Internship Details 2021-22

SR NO	NAME OF STUDENT	BRANCH	EMAIL	CONTACT	NAME OF COMPANY	LOCATION	NAME OF COMPANY PERSON	CONTACT	EMAIL OF COMPANY CONTACT PERSON	MOBILE COMPANY CONTACT PERSON	PERIOD OF TRAINING
1	Abhishash Manoj Patil	TE Mech	abiyash2000@gmail.com	8087218259	Rashtriya Chemical and Fertilizer Ltd	Alibag	Mr. Dharmendra Ramteke, AGM		dmramteke@rcfltd.com	9820560222	16 July to 30 July 2021
2	Siddhant Suresh Wavekar	TE Mech	siddhantwavekar@gmail.com	8830066881	Rashtriya Chemical and Fertilizer Ltd	Alibag	Mr. Dharmendra Ramteke, AGM		dmramteke@rcfltd.com	9820560222	16 July to 30 July 2021
3	Vedant Rajendra Mhatre	TE Mech	vedantmhatre98@gmail.com	7057285721	Rashtriya Chemical and Fertilizer Ltd	Alibag	Mr. Dharmendra Ramteke, AGM		dmramteke@rcfltd.com	9820560222	16 July to 30 July 2021
4	Pritesh S Pingale	TE Mech	priteshpingale0808@gmail.com	7420917548	Rashtriya Chemical and Fertilizer Ltd	Alibag	Mr. Dharmendra Ramteke, AGM		dmramteke@rcfltd.com	9820560222	16 July to 30 July 2021
5	Sanmesh S Shingrut	BE Mech	sanmeshshingrut1111@gmail.com	8983968816	Rashtriya Chemical and Fertilizer Ltd	Alibag	Mr. Dharmendra Ramteke, AGM		dmramteke@rcfltd.com	9820560222	01 August to 14 August 2021
6	Mukesh Dashrath Bhoir	TE MECH	Mukeshbhoir267@gmail.com	9922499027	Rashtriya Chemical and Fertilizer Ltd	Alibag	Mr. Dharmendra Ramteke, AGM		dmramteke@rcfltd.com	9820560222	01 August to 14 August 2021
7	Nishant Balkrishna Patil	TE Mech	nishantpatil1221@gmail.com	8698306430	Rashtriya Chemical and Fertilizer Ltd	Alibag	Mr. Dharmendra Ramteke, AGM		dmramteke@rcfltd.com	9820560222	01 August to 14 August 2021
8	Saurabh S salvi	BE Mech	salvisaurabh09@gmail	9527944057	Rashtriya Chemical and Fertilizer Ltd	Alibag	Mr. Dharmendra Ramteke, AGM		dmramteke@rcfltd.com	9820560222	5 february 2021 to 20 february 2021
9	Mr. Salunke Ashish Ashok	TE Mech	salunkeashish8@gmail.com	8983787124	Wartsila	Khopoli	Mr. S. B. Shetty		NA	98234 26801	25 March to 25 April 2021
10	Barday Tabish Ishaque Heena	TE Mech	tabishbarday333@gmail.com	99875 52882	Ecoair Cooling Systems Pvt Ltd	Hinjewadi			NA		01 July to 07 September 2021
11	Datar Aditya Uday	SE MECH	aditya9767577468@gmail.com	9766736690	PDC Ltd, Roha Plant	Roha	Mr Ravindra Phadkare		NA	2194063580	18 June 2021 to 9 July 2021
12	GIRI ROHIT PRAKASH	BE Mech	rpgiri82@gmail.com	8983959040	Herculus Hoist Ltd	Dhamani, Khalapur	Mr. Sanjay Bisen		NA	2192274601	06 Jan 2020 to 17 Jan 2020
13	Himanshu Pralhad Choudhary	BE Mech	chaudhary.himanshu1@gmail.com	9820283013	St John College of Engineering and Management, Palghar	Virtual Internship	Dr. Hitesh Thakare		NA		18th July to 24th July 2020
14	Modak Gaurav Chandrakant Chaitali	TE Mech	gauravmodak0123@gmail.com	7447277754	PerpetualGravity	Navi Mumbai	Mr. Nagendra Pratap Singh		n4nagendra@yahoo.com	9930232444	10th January 2021 to 3 March 2021
15	Hrishikesh Sandipan Pawar	TE Mech	hrishikeshpawar26@gmail.com	9967970521	PerpetualGravity	Navi Mumbai	Mr. Nagendra Pratap Singh		n4nagendra@yahoo.com	9930232444	10th January 2021 to 3 March 2021
16	Jignesh Anil Ghosalkar	TE Mech	jigneshghosalkar@gmail.com	7972366307	Unschool community Program	Khopoli	Mr. Rahul verma		NA		26 feb 2020 to 10 March 2020
17	KARJIKAR ARFAZ MOHAMMAD HANIF	TE Mech	arfazkarjkar786@gmail.com	95614 12920	Wartsila	Khopoli	Mr. S. B. Shetty		NA	98234 26801	28 June 2021 to 28 July 2021
18	Kushawa Abhishek Rambadal	TE Mech	kushwahabhishek11@gmail.com	8180893718	Bombay Dying & Manufacturing Co	Patalaganga	Milind Chitte		milind.chitte@bombaydyeing.com	022-266662	02 Nov 2020 to 2 Dec 2020
19	MALI RUSHIKESH RAVINDRA	BE Mech	malirushi82@gmail.com	8975350133	Herculus Hoist Ltd	Dhamani, Khalapur	Mr. Sanjay Bisen		NA	0219-2274601	06 Jan 2020 to 17 Jan 2020
20	Manish Sharma	BE Mech	manishsharma17271212000@gmail.com	8291236617	RS India	Jaipur	Dhananjay Sharma		Dhananjai sharma@rs-india.com	6375622541	6 May 2021--1 Oct 2021
21	Patil Manish	BE Mech	Patilmanish7050@gmail.com	9049693719	DECIBELS LAB PVT LTD	Banglore	Ms. Sushmita S B		NA	0219-2274601	11 MAY 2020 to 26 June 2020
22	Patle Kshitij	BE Mech	kshitiipatle7@gmail.com	7506113452	Elite Techno groups		Mr. Himanshu Arora		NA		01 June 2020 to 12 August 2020
23	Pingale Manish Shyam	TE Mech	manishpingale490@gmail.com	8999508408	St John College of Engineering and Management, Palghar	Virtual Internship	Dr. Hitesh Thakare		NA		18th July to 24th July 2020
24	Poi Tushar Yuvraj		tusharpoi66598@gmail.com	8652249935	St John College of Engineering and Management, Palghar	Virtual Internship	Dr. Hitesh Thakare		NA		18th July to 24th July 2020
25	Prathamesh Pandurang Chogale	TE Mech	prathameshchogale6291@gmail.com	8149811848	KOPRAN LIMITED	Village Savroli, taluka-Khalapur	Mr. Prashant Walekar, Manager		api@kopran.com, formulationsbd@kopran.com, info@kopran.com	02192-274500, 02145-251101-04	3 May to 31 May 2021
26	Pratik Suryavanshi	BE Mech	pratiksuryavanshi29@gmail.com	9769064053	Mechathon Engineering Pvt Ltd.	Work from home	Vigneshwaran Srinivasan		careers@mechathon.in		21st June 2021 to 20th August 2021
27	Pritesh Pingale	TE Mech	Priteshpingale0808@gmail.com	7420917548	Rashtriya Chemical and Fertilizer Ltd	Alibag	Mr. Dharmendra Ramteke, AGM		dmramteke@rcfltd.com	9820560222	16 July to 30 July 2021
28	Punit Jayavant Jagtap	BE MECH	pjjagtap1999@gmail.com	9092682101	Bharat Benz Wasan Pvt Ltd, Chembur	Panvel	Mr. Mohindar Singh		NA	9152003303	27 Jan 2021 to 13 feb 2021
30	Ramkrishna Ishaq	BE Mech	rishat56@gmail.com	9067369358	Mechathon Engineering Pvt Ltd.	Work from home	Vigneshwaran Srinivasan		careers@mechathon.in		21st June 2021 to 20th August 2021
31	RANE RUSHIKESH	BE Mech	rushikesh.rane.731@gmail.com	7776059717	Herculus Hoist Ltd	Dhamani, Khalapur	Mr. Sanjay Bisen		NA	2192274601	06 Jan 2020 to 17 Jan 2020
32	Sahil Dinesh Gaikwad	BE MECH	sahilgaikwad350@gmail.com	9822833538	Wartsila	Khopoli	Mr. S. B. Shetty		NA	98234 26801	1st march to 30th April 2021
33	Saransh Yogendra Sachan	SE Mech	sachansaransh1999@gmail.com	7798996636	Echobird Electronics LLP, New Delhi		Mr. Nikhil		NA	8384019095	14 July 2020 to 14 Aug 2020
34	Servesh Ramesh Surve	TE Mech	serveshsurve008@gmail.com	79723 75278	Prasol Chemical Pvt Ltd	Khalapur	Mr. Milind		NA	82086 57151	01 April to 30 April
35	Saurabh Sunil Pawar	BE MECH	saurabh.pawar.2001@gmail.com	9561467049	Mechathon Engineering Pvt. Ltd	Virtual Internship	Vigneshwaran Srinivasan		vigneshwaran.s@mechathon.in	NA	5 July 2021- 23 Aug 2021
36	Shardul Shekhar Gatare	BE Mech	gatareshardul@gmail.com	710995011	Brit Industries	Byculla, Mumbai			NA	022-27223415	11 July 2020 to 17 October 2020



Principal

TRUE COPY Vishwanikotan's (I MEET)

37	Shivkumar B kumbhar	BE MECH	kumbharshivkumar31@gmail.com	9325358406	Mechathon Engineering Pvt.Ltd.	Work from home	Vigneshwaran Srinivasan	careers@mechathon.in		21st June 2021 to 20th August 2021
38	Shubham Bhavke	TE Mech	shubhambhavke007@gmail.com	9108	SOLACE COGEN PVT LTD	NEW PANVEL	NA		NA	10 September 2020 to 11 October 2020
39	Siddhesh Bharat Shirke	BE Mech	siddheshbshirke@gmail.com	8104977953	St John College of Engineering and Management, Palghar	Virtual Internship	Dr. Hitesh Thakare		NA	18th July to 24th July 2020
40	Soham Amol Raut	TE Mech	sohamraut18@gmail.com	78755 34001	Wartsila	Khopoli	Mr. S. B. Shetty		NA	25 March to 25 April 2021
41	Sorte Akshata Ashok	BE MECH	sorateakshata11@gmail.com	7506994990	St John College of Engineering and Management, Palghar	Virtual Internship	Dr. Hitesh Thakare		NA	18th July to 24th July 2020
42	Suyog Kishor Mhatre	TE Mech	suyogkmhatre@gmail.com	8668983823	SKYY RIDER INSTITUTIONS	Virtual Internship	Rajat Mishra		NA	21 June to 5 July
43	Tejasvi Sharad Patil	TE Mech	tejasvipatil2411@gmail.com	7276209655	Skyrider Institutions	Work From Home	siddhant Naik	siddhant.pattanaik@skyrider.com	NA	9th July to 23rd July
44	Tushar Yuvraj Pol	BE Mech	tusharpol66598@gmail.com	8652249935	St John College of Engineering and Management, Palghar	Virtual Internship	Dr. Hitesh Thakare		NA	18th July to 24th July 2020
45	UTEKAR NIKHIL SUNIL	BE Mech	nikhil.utekar960@gmail.com	7020742609	Herculus Hoist Ltd	Dhamani, Khalapur	Mr. Sanjay Bisen		NA	06 Jan 2020 to 17 Jan 2020
46	Vinit Chogale	TE Mech	vinitchogale123456@gmail.com	8983517461	KOPRAN LIMITED	Village Savroli, taluka-Khalapur	Mr. Prashant Walekar, Manager		NA	From 3 May to 31 May 2021
47	Yash Santosh Deshmukh	SE Mech	deshmukhyash06@gmail.com	8605939590	AMR Engineering Works	Khalapur Dheku, Sanigaon	Mr. Abdulla Ansari		NA	1 October 2020 to 1 March 2021



TRUE COPY

[Signature]
Principal
Vishwaniketan's (I MEET)

AMR Engineering Works

AT DHEKRU PO, BAIGADIN, CIVIL MARKET, HADAPUR TAL. RAIPUR DIST. BAIGAD

E-mail: amrengg@rediffmail.com • Website: amrengineering.net

Ref: No. 136/2020-21 Date: 01/03/2021

To Whomsoever It May Concern:

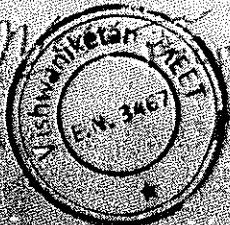
This is to certify that **YASH SANTOSH DESHMUKH** has been a part of our organization **AMR ENGINEERING WORKS** in **MECHANICAL DEPARTMENT** as a **MECHANICAL ENGINEER** for a period of **SIX MONTHS** starting from **1st OCT 2020** till **1st MARCH 2021**. His responsibilities included leading the **MAINTENANCE** team in order to achieve the given territory. During his tenure he has shown commendable skills and commitment to achieve the goal.

The employee **YASH SANTOSH DESHMUKH** was a great employee in our company. We are very proud to have such a dedicated employee. We wish him all the best and success in future endeavors.

Signature

ABDULLA ANSARI
PROPRITER

For **A. M. R. ENGINEERING WORKS**



TRUE COPY

Principal
Vishwaniketan's (I MEET)

Date: 20/08/2021

Dear Mr. Kumbhar Shivkumar Bharat,

TO WHOMSOEVER IT MAY CONCERN

This is to certify that Mr. Kumbhar Shivkumar Bharat has done his internship as Design Intern at Mechathon Engineering Private Limited from 21st June-2021 to 20th August-2021.

He worked on a project titled "DESIGN OPTIMIZATION OF MULTI-PLUNGER POSITIVE DISPLACEMENT PUMPS". As part of the project, he supported as an Intern for our Design and Development Team.

During his internship he has demonstrated his skills with self-motivation to learn the new skills. His performance exceeded our expectations and he completed the project on time. We wish all the best for his upcoming career.

Certificate ID: MEI2021AALS

For Mechathon Engineering Pvt. Ltd.,

eSign
Signed by: Vigneshwaran
Srinivasan
Reason: Internship Completion
Location: Chennai, India
Date: 20-Aug-2021 (10:25 PM)
Vigneshwaran Srinivasan
Managing Director



J.P.
Principal
Vishwaniketan's (I MEET)

TRUE COPY

राष्ट्रीय कर्मिकला एण्ड फर्टिलाइजर्स लिमिटेड



एन एच सी सी सी

मानव संसाधन विकास केंद्र

घर इकाई, अलिबाग-रायगड-402 208

प्रमाणपत्र / Certificate

Name :- Mr. Abhiyash Manoj Patil

Institution :- Vishwaniketan (IMEET), Khalapur

Branch :- Mechanical Engineering

Period of Training :- 15 days from 16.07.2021 to 30.07.2021

Leave taken during training :- 00 days

Off days & Holidays :- 02 days

Nature of Training :- Intensive Training in 'Ammonia Plant'

REPORT OF TRAINING

	Excellent	Very Good	Good	Average
1. Conduct	✓			
2. Punctuality	✓			
3. Knowledge			✓	
4. Interview Rating			✓	
5. Report Rating		✓		

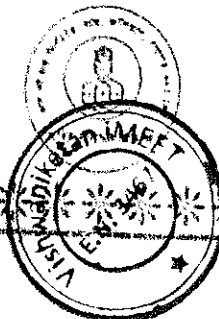
Special Remarks :- _____

Date :- 30.07.2021

[Signature]

Principal

Vishwaniketan (IMEET)



For and on Behalf of R. C. F. Ltd.

TRUE COPY



Let us grow together

Rashtriya Chemicals and Fertilizers Limited.

Training Centre, Thal Unit, Tal. -Alibag, Dist- Raigad -402208 (MS)-India

Phone No. :- (02141) 238012 - 2080/9820560222/2195/8888722255

Ref No : Thal/TRG/AGM/VT- Mech./JSM-Alibag/June-21/(149)

Date : 07/7/2021

To,

**Prof. Kishor V. Mane, Industry Internship Co-ordinator
Dept. of Mechanical Engg.
ViMEET, Khalapur
Survey No.-52, Kumbhivali, Near Khalapur Toll Naka,
Off Mumbai Pune Expressway
Tal.- Khalapur, Dist.- Raigad-410202 (MS)-India**

SUB:- In-plant training to Vocational Trainees (Deg- Mech. Engg.)

REF.: - Your letter/e.mail

Ref. No.:-ViMEET/Mech./IIT/08/20210630,0705 Dated- 30/06/21,5/7.

Dear Sir,

1. With reference to your letter/e-mail above, we would be happy to provide In-plant Training/Industrial Training/Internship facility to following **04 student/s** from Deg. Mech. Engg. on acceptance of the terms and conditions mentioned below for **16/07/21 to 30/07/21** (15 days/2 weeks) **6 days a week & timing is 8 am to 5 pm.**

(1) Mr. V.R. Mhatre (2) Mr. S.S.Wavekar (3) Mr. A.M.Patil (4) Mr. P.S. Pingale

Terms and Conditions

2. Training Charges **Rs.1200/-** (inclusive 18 % GST) **per student up to one month** by Demand Draft drawn only in favour of R. C. F. Ltd, payable at SBI Thal-Vaishet or Alibag.
3. Student/s must comply with the rules, regulations, discipline and timings stipulated during the training period by the company.
4. No stipend will be paid to the student/s & no availability of accommodation in RCF Guest House/Township.
5. We will extend our help to get an accommodation @ Rs.100/- per day per student in Holiday Homes on 5 to 6 students in one room basis (if required).
6. Student/s will bear medical charges if they receive medical treatment during their period with us.
7. Student/s should bring In-plant training/Industrial Training requirements to facilitate learning.
8. Student/s should bring three (3) passport size photograph & his /her/ their college Identity Card, while coming for training for the temporary gate pass arrangement.
9. Student/s should wear safety shoes during training period and bring umbrella & water bottle.
10. No camera or mobile camera is allowed in the factory premises during training period.
11. **Student/s must follow the Government norms applicable in the present situation.**

The above terms and conditions should be conveyed to the respective student/s before coming for the training.


Thanking You

Yours Faithfully

S/D.

(Dharmendra M. Ramteke)
Asst. General Manager (HRD)




Principal
Vishwaniketan's (I MEET)

TRUE COPY



Let us grow together

Rashtriya Chemicals and Fertilizers Limited.

Training Centre, Thal Unit, Tal. - Alibag, Dist- Raigad -402208 (MS)-India

Phone No. :- (02141) 238012 - 2080/9820560222/2195/8888722255

Ref No : Thal/TRG/AGM/VT- Mech./ViMEET-Khalapur/June-21/(150)

Date : 07/7/2021

To,

Prof. Kishor V. Mane, Industry Internship Co-ordinator
Dept. of Mechanical Engg.
ViMEET, Khalapur
Survey No.-52, Kumbhivali, Near Khalapur Toll Naka,
Off Mumbai Pune Expressway
Tal.- Khalapur, Dist.- Raigad-410202 (MS)-India

SUB:- In-plant training to Vocational Trainees (Deg- Mech. Engg.)

REF.: - Your letter/e.mail

Ref. No.:ViMEET/Mech./IIT/08/20210629,0706 , Dated- 29/06/21,6/7.

Dear Sir,

1. With reference to your letter/e-mail above, we would be happy to provide In-plant Training/Industrial Training/Internship facility to following 03 student/s from Deg. Mech. Engg. on acceptance of the terms and conditions mentioned below for 01/08/21 to 14/08/21 (15 days/2 weeks) **6 days a week & timing is 8 am to 5 pm.**
(1) Mr. S.S. Shingrut (2) Mr. N.B.Patil (3) Mr. M.D. Bhoir

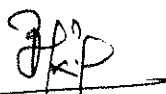
Terms and Conditions

2. Training Charges **Rs.1200/-** (inclusive 18 % GST) per student up to one month by Demand Draft drawn only in favour of R. C. F. Ltd, payable at SBI Thal-Vaishet or Alibag.
3. Student/s must comply with the rules, regulations, discipline and timings stipulated during the training period by the company.
4. No stipend will be paid to the student/s & no availability of accommodation in RCF Guest House/Township.
5. We will extend our help to get an accommodation @ Rs.100/- per day per student in Holiday Homes on 5 to 6 students in one room basis (if required).
6. Student/s will bear medical charges if they receive medical treatment during their period with us.
7. Student/s should bring In-plant training/Industrial Training requirements to facilitate learning.
8. Student/s should bring three (3) passport size photograph & his /her/ their college Identity Card, while coming for training for the temporary gate pass arrangement.
9. Student/s should wear safety shoes during training period and bring umbrella & water bottle.
10. No camera or mobile camera is allowed in the factory premises during training period.
11. **Student/s must follow the Government norms applicable in the present situation.**

The above terms and conditions should be conveyed to the respective student/s before coming for the training.

Thanking You

Yours Faithfully


Principal
Vishwanikotan's (I MEET)

S/D.
(Dharmendra M. Ramteke)
Asst. General Manager (HRD)



TRUE COPY



Let us grow together

Rashtriya Chemicals and Fertilizers Limited.
Training Centre, Thal Unit, Tal. -Alibag, Dist- Raigad -402208 (MS)-India
Phone No. :- (02141) 238012 - 2080/9820560222/2195/8888722255

Ref No : Thal/HRD/AGM/VI- Mech Engg./ViMEET-Khalapur/Feb-21/(50)

Date : 3/02/2021

To,

Prof. Sagar A. Dhotare, Indu. Internship Co-ordinator
ViMEET, Khalapur, Campus- Survey No.-52
Kumbhivali, Near Khalapur Toll Naka,
off Mumbai Pune Expressway, Tal.- Khalapur,
Dist- Raigad 410202 (MS)-India

SUB:- In-plant training to Vocational Trainees (Deg-Mech. Engg.)

REF: - Your letter/e.mail

Ref. No.: -ViMEET/Mech/IT/2020-21/0129, dated 29/01/21

Dear Sir,

1. With reference to your letter/e-mail above, we would be happy to provide In-plant Training/Industrial Training/Internship facility to following 01 student/s from Deg. in Mech. Engg. on acceptance of the terms and conditions mentioned below for 05/02/21 to 20/02/21 (15 days/2 Weeks) 6 days a week & timing is 8 am to 5 pm.

(1) Mr. Saurabh S. Salvi, BE(Mech.) VIth Sem.

Terms and Conditions

2. Training Charges Rs.1200/- (inclusive 18 % GST) per student upto one month by Demand Draft drawn only in favour of R. C. F. Ltd, payable at SBI Thal-Vaishet or Alibag.
3. Student/s must comply with the rules, regulations, discipline and timings stipulated during the training period by the company.
4. No stipend will be paid to the student/s & no availability of accommodation in RCF Guest House/Township.
5. We will extend our help to get an accommodation @ Rs.100/- per day per student in Holiday Homes on 5 to 6 students in one room basis (if required).
6. Student/s will bear medical charges if they receive medical treatment during their period with us.
7. Student/s should bring In-plant training/Industrial Training requirements to facilitate learning.
8. Student/s should bring three (3) passport size photograph & his /her/ their college Identity Card, while coming for training for the temporary gate pass arrangement.
9. Student/s should wear safety shoes during training period and bring umbrella & water bottle.
10. No camera or mobile camera is allowed in the factory premises during training period.
11. Student/s must follow the Government norms applicable in the present situation.

The above terms and conditions should be conveyed to the respective student/s before coming for the training.

Thanking You

Vishwaniketan's Institute of Management & Entrepreneurship & Engineering Technology
Inward No. <u>2137</u>
Date: <u>15/02/2021</u>



Yours Faithfully

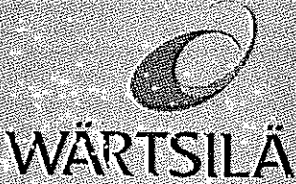
(Dharmendra M. Kamleke)
Asst. General Manager (HRD)

Principal
Vishwaniketan's (I MEET)

TRUE COPY

To

Prof. Sagar A. Dhotare
#11



India

04/05/2021

INTERNSHIP CERTIFICATE

This is to certify that MR. ASHISH SALUNKE, student of VISHWANIKETAN IMEET, Khalapur, has undergone internship in Service Workshop in our Organization for a period of 1 month from 1st April 2021 to 30th April 2021 as an "Internee" under Mr. Macchindra S. Yedake – Superintendent – Workshop.

He has successfully completed his internship in the above Workshop and was found keen to learn the various activities in respect of day-to-day Workshop related activities.

We wish him all the best in his future academic career.

For WÄRTSILÄ INDIA PVT. LTD.


S.B. SHETTY

SR. MANAGER – PERSONNEL & ADMN.



Wärtsilä India Private Limited
Gate No.1
Opp. Govt. Heat House
Old Mumbai - Pune Road
Shiphata, Khopoli
Dist. Raigad - 410 203
India

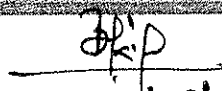
Tel. : +91 2192 261389
 +91 2192 264390
Fax : +91 2192 263314

Registered Office
10th Floor, Tower 1
Seawoods Grand Central, Sector 40
Seawoods Railway Station, Navi Mumbai
Navi Mumbai, MH 400708
India

Fax : +91 22 6820 5933
www.wartsila.com
CIN : U99999MH1998PTC062170



TRUE COPY


Principal
Vishwaniketan's (I MEET)

Date: 29-06-2021

Dear Mohammad Tabish,

I am pleased to inform your acceptance of an internship position in Quality & Production department at ECOAIR COOLING SYSTEM PVT.LTD. Your first day of joining will be 1st July, 2021. In addition to your duties outlined in the interview, you will report to your supervisor, Mr. Prasad Shinde.


As an intern, you are not the company's employee; and therefore, will not receive health and compensation benefits. You understand that participating in the internship program is not an offer of employment.

During your internship, you will have access to the company's clients and confidential information. You agree that you will keep all this information and client information strictly confidential and will not share it with anyone outside the company. You will not use it for your own benefits and on completion of the internship; you will return documents, equipment, and all property of the company.

Congratulations on the Internship.

Best Regards,

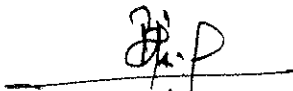
For, Ecoair Cooling Systems Pvt. Ltd.



Authorised Signatory

Pravin Walke

Assistant Manager-Finance & HR



Principal
Vishwaniketan's (I MEET)



TRUE COPY



FDC Limited (Roha Plant)

MANUFACTURERS & EXPORTERS OF FOODS, DRUGS & CHEMICALS

Plant: Plot No. 19 & 20/2 MIDC, Dhatav, Roha, Dist. Raigad, Maharashtra - 402 116
Phone: 02194 - 263580, 263692, 263653, Fax: 263264, Email: roha@fdcindia.com
CIN.: L24239MH1940PLG003176

REF: PER: TR LETTER: 2021

Dt. 09.07.2021

TO WHOMSOEVER IT MAY CONCERN

This is to certify that *Mr. Aditya Uday Datatr (Bachelor of Mechanical Engineer)* Student of ViMEET, Kumbhivali, Tal-Khalapur Dist. Raigad, has under gone 22 days training from 18.06.2021 to 09.07.2021 in our organization.

Within this period, we found him sincere and hardworking nature.

We wish him all the best future in his career.

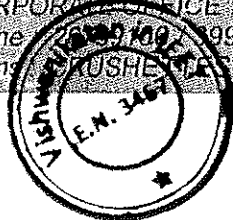
For FDC LIMITED (ROHA PLANT)

(RAVINDRA R. PHADATARE)
SR. MANAGER-HR

REGD. OFFICE: B-8, MIDC Industrial Estate, Waluj - 431136, Dist. Aurangabad
Phone: 0240 - 2554407, 2554967, Fax: 2554299

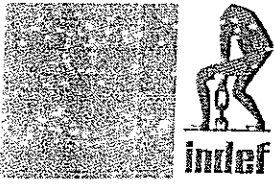
CORPORATE OFFICE: 142-48, Swami Vivekanand Road, Jogeshwari (w), Mumbai - 400 102
Phone: 26780653/26785242 Fax: 26786393/26781912/26788123

Gram: KUSHENGALE, Jogeshwari (w), Mumbai - 400 102 Email: fdc@fdcindia.com



TRUE COPY


Principal
Vishwaniketan's (I MEET)



HERCULES HOISTS LIMITED

Date: 14-2-2019.

CERTIFICATE FOR INTERNSHIP

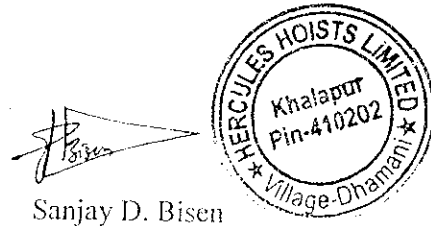
TO WHOM IT MAY CONCERN

This is to certify that Mr. / Miss. ROHIT P. GIRI student of Mechanical - BE of Vishwaniketan Institute of Management Entrepreneurship & Engineering Technology- Khalapur, has completed from 06 /01 /2020 to 17 /01 /2020, Internship at Hercules Hoists Ltd (Bajaj Group) Khalapur Raighad, M.S.

During the period of his internship with us he was found punctual, hardworking, and inquisitive.

This training was held with reference to Dr. Nidhi A. Singh faculty of Vishwaniketan

We wish him every success in life.



Sanjay D. Bisen
Sr. Executive Engineer
Production

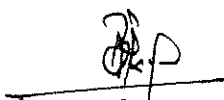
bajaj group

Corporate Office & Works
43/2B, Savroli-Kharpada Road
Dhamani, Khalapur 410202
Maharashtra
INDIA

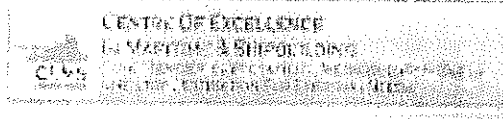
T: +91 2192 274501
F: +91 2192 274125
E: indef@indef.com
U: www.indef.com

Registered Office
Bajaj Bhawan, 2nd Floor
226, Jammalal Bajaj Marg
Mumbai 400 021, INDIA
CIN: L45400MH1962PLC012385




**Principal
Vishwaniketan's (I MEET)**

TRUE COPY



ST. JOHN COLLEGE OF ENGINEERING AND MANAGEMENT


CERTIFICATE OF COMPLETION

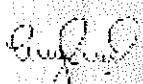
THIS CERTIFICATE IS PROUDLY PRESENTED TO
Himanshu Pralhad Chaudhary

from Vishwaniketan's iMEET
after submitting the mini-project/case-study entitled
Workplace Improvement & Maintenance

to fulfil the requirements for successfully completing one week
Online Internship Program on Industrial Progression of
Mechanical Engineering organized by Department of
Mechanical Engineering, St. John College of Engineering and
Management, Palghar from 18th July to 24th July 2020


Dr. Hitesh Thakare
Coordinator

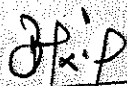

Dr. Ajoy Kumar
Vice Principal,
Dean Academics


Dr. G.V. Mulgund
Principal



TRUE COPY




Principal
Vishwaniketan's (iMEET)



Adoring Mother Earth

PerpetualGravity

www.PerpetualGravity.com

Call : +91-9930232444 | E-mail : n4nagendra@yahoo.com

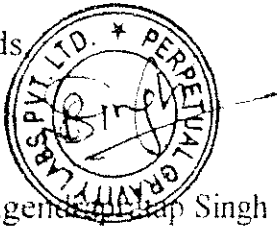
EXPERIENCE CERTIFICATE

This is to Certify that the Project Titled Optimisation of Lever Engine was successfully executed by Mr. Hrishikesh Pawar , Mr. Gaurav Modak, Mr. Durgesh Patil.

The team worked on Wheelchair Controller using BLDC Motor , PWM generator , arduino uno. The team designed mechanical, electric and electronic components using Solidworks, Arduino Uno, Sensor and Relays performed experiments and analysed the data using Minitab18.1.Team worked from 10thJanuary 2021 to 03rd March 2021.

We congratulate the team for their success and wish them a bright future ahead.

Regards

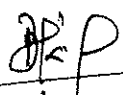


Mr. Nagendra Pratap Singh

CEO

PerpetualGravity Labs Pvt Ltd

(3rd April 2021)


Principal
Vishwaniketan's (I MEET)



TRUE COPY

Regd Office: Flat 201, Sai Vastu, Plot 97 A, Sector - 1, Sanpada, Navi Mumbai - 400705

Cell : +91-9930232444 | E-mail : n4nagendra@yahoo.com

Certificate of Excellence

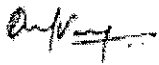
This certificate is proudly presented to

Jignesh Ghosalkar

for successfully completing the Unschool Community Program
on February 26, 2021 as a **Social Media Marketing Intern** for 2 weeks,
an online Internship Initiative by

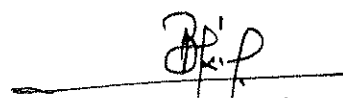


Unschool wishes you the best for your future endeavors.


Rahul Varma
Chief Executive Officer



TRUE COPY


Principal
Vishwaniketan's (I MEET)

28/07/2021


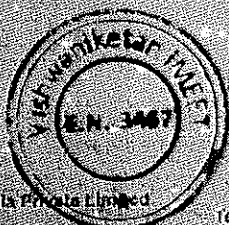
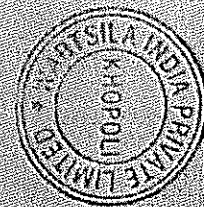
INTERNSHIP CERTIFICATE

This is to certify that MR. ARFAZ KARJIKAR student of **VISHWANIKETAN I MEET**, Khalapur has undergone internship in Service Workshop Department in our Organization for a period of 1 month from 28th June 2021 to 28th July 2021 as an "Internee" under Mr. Macchindra Yedake respectively.

He has successfully completed his internship in the above Workshop and was found keen to learn the various activities in respect of reconditioning activities being carried out there- in the Workshop.

We wish him all the best in his future academic career.

For **WÄRTSILÄ INDIA PVT. LTD**


S.B. SHETTY
SR. MANAGER – PERSONNEL & ADMN.
Principal
Vishwaniketan's (I MEET) TRUE COPY



BOMBAY DYEING

All Communications to be addressed to :

POLYESTER DIVISION

A-1, PATALGANGA INDL. AREA, P. O. BOX NO.: 5,

PATLALGANGA, RAIGAD - 410 220. (MS), INDIA

PHONE: +91 02192 251096, FAX: +91 02192 250263

E-MAIL polyester@bombaydyeing.com

E-MAIL chandrashekhra.shende@bombaydyeing.com

CIN : L17120MH1879PLC000037

October 29, 2020.

To,
Dr. B. R. Patil,
Principal,
Vishwaniketan's
Institute of Management Entrepreneurship & Engineering Technology (IMEET)
Survey No.:52, Khumbhivali, Near Khalapur Toll Naka,
Off Mumbai-Pune Expressway, Tal.: Khalapur,
Dist.: Raigad - 410 202.

Dear Sir,

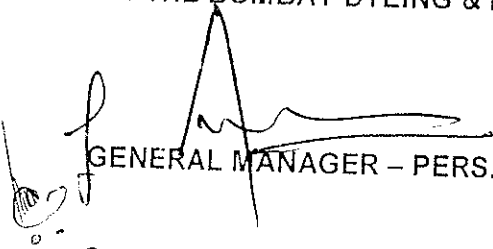
With reference to your Letter Ref.: ViMEET/OFFICLA/042/2020-21 dated 27th October, 2020 we would like to inform you that we can allow your student Mr. Abishek Kushwaha studying in 3rd Year B.E. - Mechanical for Summer Training from 2nd November, 2020 (one month) in our Organization / Plant.

Please note, our Company does not have the policy of paying stipend to Summer Training Students. He is also not allowed to use Company Transport. However, Canteen facility can be used on payment basis.

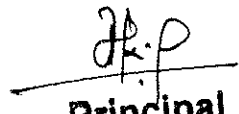
Photography is strictly prohibited in the Plant, hence please instruct your student not to use mobile phone for photography in the Plant. Violation will lead to seizure of phone and they will not allow continuing the training further.

Thanking you,

Yours Faithfully,
For THE BOMBAY DYEING & MANUFACTURING CO. LTD.


GENERAL MANAGER - PERS. & ADMIN.

Copy → Mr. Abishek Kushwaha, Student.
Mr. PC Panda - GM - Engineering,
Fire & Safety Dept.
Security Dept. - for Paper pass
Plant Trainee File


Principal
Vishwaniketan's (I MEET)



BOMBAY REALTY
... & MORE LIFE



Bombay Burmah



TRUE COPY

The Bombay Dyeing & Mfg. Co. Ltd., C-1, Wadia International Center (Bombay Dyeing), Pandurang Budhkar Marg, Worli,
H: MVCP PRESENTICE TRADE IN PLANT TRAINEE POLYESTER Office: +91 22 6662 0000 • Fax: +91 22 6662 0064.

Regd. Office: Neville House, J.N. Heredia Marg, Ballard Estate, Mumbai - 400 061.

CIN : L17120MH1879PLC000037 • Email: polyester@bombaydyeing.com

Website: www.bombaydyeing.com



WÄRTSILÄ

India

04/05/2021

INTERNSHIP CERTIFICATE

This is to certify that MR. SOHAM RAUT student of VISHWANIKETAN IMEET, Khalapur, has undergone internship in Production Department in our Organization for a period of 1 month from 25th March 2021 to 25th April 2021 as an "Internee" under Mr. Mahesh Thakur – Manager – Production.

He has successfully completed his internship in the above Department and was found keen to learn the various activities in respect of day-to-day Production related activities.

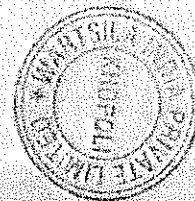
We wish him all the best in his future academic career.

For WÄRTSILÄ INDIA PVT. LTD.



S.B. SHETTY

SR. MANAGER – PERSONNEL & ADMN.



TRUE COPY



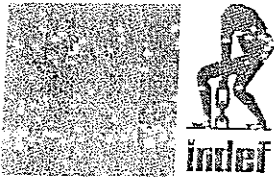
Principal
Vishwaniketan's (I MEET)

Wärtsilä India Private Limited
Gate No. 1
Opp. Co. L. Rest House
Old Mumbai - Puna Road
Shahada, Khosla
Dist. Raigad - 410 20
India

Tel: +91 2192 264380
+91 2192 264390
Fax: +91 2192 263314

Registered Office
10th Floor, Tower 1
Sawade Grand Central, Sector 40
Bamburda Railway Station, North Nande
Navi Mumbai, MH 400706
India

Fax: +91 22 6920 5836
www.wartsila.com
CIN: U99900MH1998PTC042170



HERCULES HOISTS LIMITED

Date: 14-2-2019.

CERTIFICATE FOR INTERNSHIP

TO WHOM IT MAY CONCERN

This is to certify that Mr. / Miss. RUSHIKESH R. MALI student of Mechanical - BE of Vishwaniketan Institute of Management Entrepreneurship & Engineering Technology- Khalapur, has completed from 06 /01 /2020 to 17 /01 /2020. Internship at Hercules Hoists Ltd (Bajaj Group) Khalapur Raighad, M.S.

During the period of his internship with us he was found punctual, hardworking, and inquisitive.

This training was held with reference to Dr. Nidhi A. Singh faculty of Vishwaniketan

We wish him every success in life.

Sanjay D. Bisen
Sr. Executive Engineer
Production



bajaj group

Corporate Office & Works
43/26, Savroli-Kharpada Road
Dhamani, Khalapur 410202
Maharashtra
INDIA



T: +91 2192 274601
F: +91 2192 274125
E: indef@indef.com
U: www.indef.com

Registered Office
Bajaj Bhawan, 2nd Floor
226, Jammalal Bajaj Marg
Mumbai 400 021, INDIA
CIN: L45400MH1962PLC012385

TRUE COPY

Principal
Vishwaniketan's (I MEET)



RUJ & SRM MECHANICS Pvt. Ltd.
(Swiss Precision & Assembly)

Date: 01.09.2021

TO WHOMSOEVER IT MAY CONCERN

This is to certify that Mr. Manish Sharma, a student of Vishwaniketan's Institute of Management Entrepreneurship and Engineering Technology has successfully completed his internship from 06.05.2021 to 31.08.2021 in Production – Swiss Turning Department of our organization.

During the period of his internship program with us his performance was found good, and he was sincere, hardworking, and inquisitive towards tasks assigned.

We wish him/her every success in life.

Best Regards,

Manager - HR

Manufacturing Facility
DTA 003 006-007 & 012-013, Mahindra World City,
Off. Aymer Road, Jaipur-302042 Rajasthan (India)
☎ +91 022 9888 ☉ contact@rs-india.com



TRUE COPY

Registered Office
Office No 712, 7th Floor, Elements Mall,
Aymer Road, Jaipur-302042 Rajasthan (India)
☎ +91 141 6763239

Principal
Vishwaniketan's (I MEET)



Decibels
LabPrivateLimited#
2362,
24thmainroad1st
sector, HSRLaycut
Bangalore, Karnataka,560102

CIN:U80904KA2019PTC1266
75
+917411019255
contact@decibelslab.com

Date	24 July 2020
Certificate	DBLMS0801
ID Issued	Sushmitha S

INTERNSHIP COMPLETION CERTIFICATE

This is to certify that **MANISH PATIL** has been undergone the internship program in Powertrain Simulations Department at Decibels Lab Pvt Ltd, from 11th May 2020 to 26th June 2020.

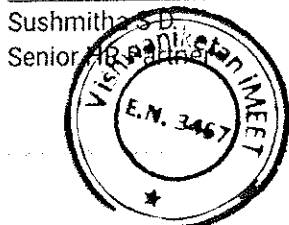
During the above tenure, **MANISH PATIL** was trained and assigned projects on

1. Powertrain Modeling & simulation of
 - a. Ather450
 - b. NissanLeaf
 - c. Formula RaceCar
2. Li-ioncell Modeling & Simulation
3. BMS Modeling & Simulation

We wish you best of luck for the future endeavours.

For Decibels Lab Pvt Ltd

Sushmitha S D



TRUE COPY

J.K.P
Principal
Vishwaniketan's (I MEET)

CERTIFICATE OF INTERNSHIP

This is to certify that Mr./ Ms.

KSHITIJ PATLE

has completed
**10 Weeks Internship on Vehicle Dynamics -
Basics to Expert on Commercial and Race Cars.**

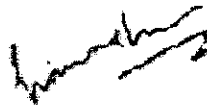
From: 01-06-2020

To: 12-08-2020

We wish him/ her all the success in future.

ETG-VD-4144

S.No



Vishwaniketan
Managing Director
ETG

12-08-2020

(Date of Issue)



TRUL COPY

www.elitetechnogroups.com

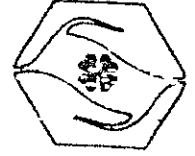
Inspiring Young Generation


Principal

Vishwaniketan's (I MEET)

ISO 9001





Kopran

KOP/KHP/HR/2021/2031

Date: May 3, 2021

TO WHOMSOEVER IT MAY CONCERN

This is to certify that, **Mr. Prathamesh P Chogale** the student of Third year Mechanical from Vishwaniketan has undergone industrial training in our company for One month.

During the tenure of his training he found sincere & studious.

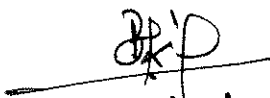
We wish him all the best in his future endeavors.

For, KOPRAN LIMITED.,

K G Sharma
(Manager- HR & Admin.)



TRUE COPY


Principal
Vishwaniketan's (I MEET)



INTERNSHIP TRAINING REPORT

Certification:



Mechathon Engineering Pvt. Ltd.,
47/80, E K Baranather West Mada St,
Kanchipuram, TN-631502, IN

Date: 20/08/2021

Dear Mr. PRATIK DINKAR SURYAVANSHI,

TO WHOMSOEVER IT MAY CONCERN

This is to certify that Mr. PRATIK DINKAR SURYAVANSHI has done his internship as **Design Intern** at Mechathon Engineering Private Limited from 21st June-2021 to 20th August-2021.

He worked on a project titled "**DESIGN OPTIMIZATION OF MULTI-PLUNGER POSITIVE DISPLACEMENT PUMPS**". As part of the project, he supported as an Intern for our Design and Development Team.

During his internship he has demonstrated his skills with self-motivation to learn the new skills. His performance exceeded our expectations and he completed the project on time. We wish all the best for his upcoming career.

Certificate ID: MEI2021AALF

❖ SUMMARY OF REPORT:

This internship program is very beneficial to have the practical exposure of how things really operate in **Design Industries**, the best place to gain practical understanding of what we learn throughout the college is to do an internship in a company.


I feel proud to work as an intern with **MECHATHON ENGINEERING PRIVATE LIMITED** and this experience will surely help me in future assignments as a engineer.

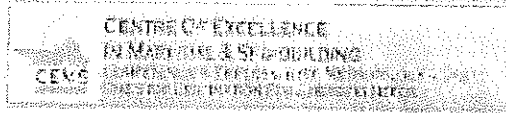
The absolute guidance from concerned Department Head, Perfect working environment with the co-operation of staff of all departments facilitated in making my internship a wonderful learning experience in all aspects.



Page 9 of 10

TRUE COPY


Principal
Vishwaniketan's (I MEET)



ST. JOHN COLLEGE OF ENGINEERING AND MANAGEMENT


CERTIFICATE OF COMPLETION

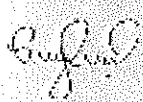
THIS CERTIFICATE IS PROUDLY PRESENTED TO
Manish Pingle

from Vishwaniketan
after submitting the mini-project/case-study entitled
5s means

to fulfil the requirements for successfully completing one week
Online Internship Program on Industrial Progression of
Mechanical Engineering organized by Department of
Mechanical Engineering, St. John College of Engineering and
Management, Palghar from 18th July to 24th July 2020

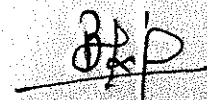

Dr. Hitesh Thakare
Coordinator

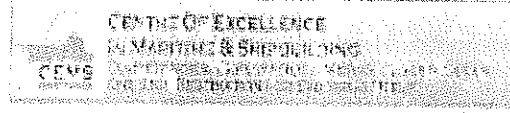

Dr. Ajoy Kumar
Vice Principal
Dean Academics


Dr. G.V. Mulgund
Principal




TRUE COPY


Principal
Vishwaniketan's (I MEET)




**ST. JOHN COLLEGE OF
ENGINEERING AND MANAGEMENT**

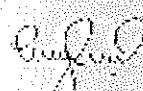
**CERTIFICATE
OF COMPLETION**

THIS CERTIFICATE IS PROUDLY PRESENTED TO
Tushar Yuvraj Pol

from Vishwaniketan imeet
after submitting the mini-project/case-study entitled
Mechanical engineering (sustainable development)
to fulfil the requirements for successfully completing one week
Online Internship Program on Industrial Progression of
Mechanical Engineering organized by Department of
Mechanical Engineering, St. John College of Engineering and
Management, Palghar from 18th July to 24th July 2020



Dr. Hitesh Thakare
Coordinator


Dr. Ajoy Kumar
Vice Principal,
Dean Academics


Dr. G.V. Mulgund
Principal

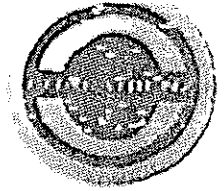



TRUE COPY


Principal
Vishwaniketan's (I MEET)

Wasan Trucking

Wasan Trucking Private Limited
(BharatBenz Authorised Dealer)
Wasan House, 4, Swastik Park, Sion Trombay Road,
Chembur, Mumbai 400071, Maharashtra
Phone: +91 22 6683 4444
Email: sales.chembur@wasantrucking.com

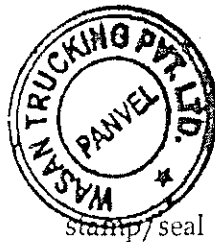


CERTIFICATE OF COMPLETION

This is to certify that Mr. Punit Jayavant Jagtap, student of Vishwaniketan's Institute of Management Entrepreneurship & Engineering technology (VIMEET) has successfully completed his Industrial Training with supervisor of BHARAT BENZ WASAN TRUCKING PVT.LTD, PANVEL From 27-01-2021 to 13-02-2021. He was present on 16 days.

His performance was satisfactory/good and conduct was satisfactory/good. We wish him success in his future endeavours

Name Raghunath
Supervisor Signature



Name

Manager signature

MOHINDER SINGH
9152003303

Colour Xerox



TRUE COPY

Principal
Vishwaniketan's (VIMEET)

INTERNSHIP TRAINING REPORT

Certification:



Mechathon Engineering Pvt. Ltd.,
47/80, E K Baranather West Mada St,
Kanchipuram, TN-631502, IN

Date: 20/08/2021

Dear Mr. Ramkrishna Bhat,

TO WHOMSOEVER IT MAY CONCERN

This is to certify that Mr. Ramkrishna Bhat has done his internship as Design Intern at Mechathon Engineering Private Limited from 21st June-2021 to 20th August-2021.

He worked on a project titled "DESIGN OPTIMIZATION OF MULTI-PLUNGER POSITIVE DISPLACEMENT PUMPS". As part of the project, he supported as an intern for our Design and Development Team.

During his internship he has demonstrated his skills with self-motivation to learn the new skills. His performance exceeded our expectations and he completed the project on time. We wish all the best for his upcoming career.

Certificate ID: MEI2021AANS

For Mechathon Engineering Pvt. Ltd.,

Signature
Signed by Vigneshwaran
Srinivasan
Reason: Internship Completion
Location: Chennai, India
Date: 20 Aug 2021 (11:11 PM)
Vigneshwaran Srinivasan
Managing Director

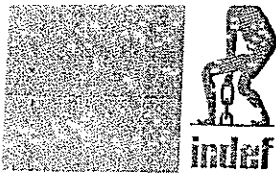
CIN - U29100TN2021PTC142023 | GSTIN - 33AAOCM4066B1ZN
Contact Number - +91 83442 79008 | E-Mail - info@mechathon.in | Web - www.mechathon.in



Page 9 of 11

TRUE COPY

Signature
Principal
Vishwaniketan's (I) MEET



HERCULES HOISTS LIMITED

Date: 14-2-2019.

CERTIFICATE FOR INTERNSHIP

TO WHOM IT MAY CONCERN

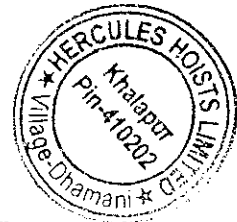
This is to certify that Mr. / Miss. RUSHIKESH R. RANE student of Mechanical - BE of Vishwaniketan Institute of Management Entrepreneurship & Engineering Technology- Khalapur, has completed from 06 /01 /2020 to 17 /01 /2020. Internship at Hercules Hoists Ltd (Bajaj Group) Khalapur Raighad, M.S.

During the period of his internship with us he was found punctual, hardworking, and inquisitive.

This training was held with reference to Dr. Nidhi A. Singh faculty of Vishwaniketan

We wish him every success in life.

Sanjay D. Bisen
Sr. Executive Engineer
Production



bajaj group

Corporate Office & Works
43/2B, Savroli Kharpada Road
Dhamani, Khalapur 410202
Maharashtra
INDIA
T: +91 2192 274601
F: +91 2192 274125
E: indef@indef.com
U: www.indef.com



Registered Office
Bajaj Bhawan, 2nd Floor
226, Jarnalal Bajaj Marg
Mumbai 400 021, INDIA
CIN: L45400MH1962PLC012385

Principal
Vishwaniketan's (I MEET)

TRUE COPY

04/05/2021

INTERNSHIP CERTIFICATE

This is to certify that MR. SAHIL DINESH GAIKWAD student of VISHWANIKETAN I MEET, Khalapur, has undergone internship in Operational Excellence Department in our Organization for a period of 2 months from 1st March 2021 to 30th April 2021 as an "Internee" under Mr. Vitthai Sutar – Sr. Manager (Operational Excellence).

He has successfully completed his internship in the above Department and was found keen to learn the various activities in respect of day-to-day Operation Excellence related activities.

We wish him all the best in his future academic career.

For WÄRTSILÄ INDIA PVT. LTD.




S.B. SHETTY

SR. MANAGER – PERSONNEL & ADMN.



TRUE COPY



Principal
Vishwaniketan's (I MEET)



Date: 17.06.2021

TO WHOM SO EVER IT MAY CONCERN

This is to certify that Mr. Sarvesh Ramesh Sorve has worked with us as
intern from 1st April 2021 to 30th April 2021 in Maintenance department.

During his tenure, we found, he is hardworking, disciplined, good
teacher & cooperative.

We wish him all the best.

For, Praxol Chemicals Pvt. Ltd.

Authorised signatory

Factory Street, P.O. No. 11, S.D. Tal. Mand. Pr. Dist. - 411 001, Solapur District, Maharashtra, India. Tel: 020-2622-1111



TRUE COPY

Principal
Vishwaniketan's (I MEET)



Mechathon
Engineering

We Automate Your Needs

Mechathon Engineering Pvt. Ltd.,
47/80, E K Baranather West Mada St,
Kanchipuram, TN-631502, IN

Date: 06/09/2021

Dear Mr. Saurabh Sunil Pawar,

TO WHOMSOEVER IT MAY CONCERN

This is to certify that **Mr. Saurabh Sunil Pawar** has done his internship as **Design Intern** at Mechathon Engineering Private Limited from **5th July-2021** to **3rd September-2021**.

He worked on a project titled "**DESIGN OPTIMIZATION OF MULTI-PLUNGER POSITIVE DISPLACEMENT PUMPS**". As part of the project, he supported as an Intern for our Design and Development Team.

During his internship he has demonstrated his skills with self-motivation to learn the new skills. His performance exceeded our expectations and he completed the project on time. We wish all the best for his upcoming career.

Certificate ID: MEI2021AAXF

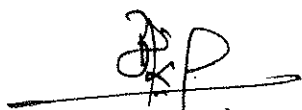
For Mechathon Engineering Pvt. Ltd.,

eSign

Signed by: Vigneshwaran
Srinivasan
Reason: Internship Completion
Location: Chennai, India
Date: 14-Sep-2021 (03:10 PM)

Vigneshwaran Srinivasan
Director of Mechathon Engg. Pvt. Ltd.




Principal
Vishwaniketan's (I MEET)

TRUE COPY



VISHWANIKETAN'S
Institute of Management Entrepreneurship and Engineering Technology
Department of Mechanical Engineering
Industrial Project

Group No.	Div.	Name of Students	Mobile No.	Project Title	Name Of the Company
16	BEB29	Pinjari Prajyot Narayan	9004833126	Vertical Rolling Mill's Grinding Oil Leakage Reduction	JSW Steel, Dolvi
	BEA42	Ingale Onkar Laxman	7977821955		
	BEA36	Gharat Diptesh Chandrakant	8459472983		
	BEB57	Todkar Suraj Tanaji	9930376727		
2	BEA20	Dalvi Mayuresh Sunil	7057240714	Design and Development of Transverse Printing Machine	Mechatol Engineering Solutions, Pune
	BEA54	Katke Kunal Nandkumar	9284866186		
	BEA48	Kambale Siddhant Sanjay	951896602		
	BEA47	Kadu Yash Jitendra	8237630534		
23	BEA61	Lagdhir Mayur Ramji	8356806380	Analysis of Micro fins in Micro Channel Heat Exchanger or Design and analysis of fined tube heat exchanger	Mechatol Engineering Solutions, Pune
	BEB15	Patil Nikhil Rajendra	7756977025		
	BEB49	Shirke Mihir Rajendra	9167710358		
25	BEA32	Gavade Omkar Santosh	9967352929	Analysis of Energy Consumption of HVAC	Active Energy OPC Private Limited, Vikhroli
	BEA64	Madhavi Sarvesh Santosh	9870068446		
20	BEA53	Kate Mohan Dnyandev	9702589702	Modelling and Optimization of Chaff Cutter Machine	Mechatol Engineering Solutions, Pune
	BEA60	Kurmi Vaibhav Shambhu	9545790640		
	BEB06	Pandey Piyush Ramsajivan	9167851520		
	BEA52	Karkare Ankit Ramesh	8169367413		
10	BEA67	Mane Nikhil Suresh	7045770509	Design of Sorting Conveyor for food process industry	Mechatol Engineering Solutions, Pune
	BEA79	Naik Sahil Umesh	9967291913		
	BEB02	Nangare Rahul Jitendra	7506167573		
	BEB59	Verma Nagendra Babulal	9890679481		
18	BEA25	Dhumal Akash Arvind	7039854630	Optimisation Of Rectangular Bucket Elevator System by Analysiiing Bucket and Shafts	Mechatol Engineering Solutions, Pune
	BEB63	Waghe Tanmay Anil	7028266101		
	BEA65	Mali Niraj Jijabrao	9867108531		



TRUE COPY

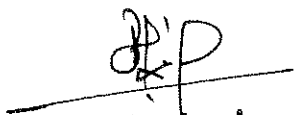
(Signature)
Principal
Vishwaniketan's (I MEET)

Inhouse Project

Group No.	Roll No.	Name of Students	Mobile No.	Project Title
1	BEB07	Pandey Shashank Arun Kumar	7083132607	Preparation of MR Fluid and its application in prosthetics
	BEB01	Nande Atharva Manoj	7249095201	
	BEB64	Wairagade Mahesh Prabhakar	7038764105	
	BEA29	/Gaikwad Mrunal Narendra	9823842604	
33	BEA28	Gaikwad Jay Prafull	7387084510	Design and fabrication of automated Non-Destructive mechanics for coconut application.
	BEA34	/Gharat Aarti Vishwanath	8805603790	
	BEB09	Patil Bhavesh Hemant	9769274370	
	BEB70	Autade Vishwajeet (pro)	8692086297	
38	BEB05	Pable Sukhjeetsingh Avtarsingh	9930203376	Design and development of Palm Tree Climing Robot.
	BEA30	Gajre Abhishek Amrut	7045531901	
	BEA05	Bangar Vikas Arjun	84540 97701	
	BEA24	Dharane Dipesh Ashok	9029285159	
39	BEA51	Kanu Reshma Nandkishor	7506986354	Design and development of Multipurpose Water pollution monitoring RC Boat
	BEA56	Khandekar Tushar Rajaram	7506030459	
	BEA73	Mokal Amit Vilas	8652769412	
	BEA75	Mokal Sahil Kamalakar	7887598581	
29	BEB25	Pawar Shubham Vishal	8779673709	Voice amplifying bluetooth mask
	BEB28	Pawar Kunal Mohan	8369093229	
	BEB62	Vitkar Atharva Prasad	8169352109	
	BEB52	Singh Ankit Sarvesh Neelam	9503404881	
5	BEA80	/Sorale Akshata Ashok	7506994990	Development of IoT based framework for monitoring performnce of lathe machine
	BEA62	/Langi Samiksha Yogesh Ujwala	9284874738	
	BEA77	More Sonal Haribhau	7066358528	
	BEA76	More Ajinkya Amol	8788221578	
34	BEB08	Patil Aditya Kantilal	7021612980	Smart Inventory Retrieval System
	BEA04	Bagul Harshal Eknath	9594578998	
	BEB04	Narvekar Shreemay Sanjay	8291752994	
	BEB10	Patil Devendra Dattaram	8452933645	
6	BEB37	Sardal Rutvik Arun	9930781635	Instant Breverage Cooler
	BEB31	Rane Omkar Anil	7875939257	
	BEB33	Rode Onkar Hanumant	8652475266	
	BEB30	Pol Tushar Yuvraj	8652249935	
11	BEA33	Ghadage Utakarsh Madhukar	9730738494	Design and Analysis of Heat Exchanger for FSAE vehical
	BEA58	Kokane Omkar Someshwar	8422945786	
	BEB50	Shirke Siddhesh Bharat	8104977953	
	BEA41	Hegiste Bhushan Shrikant	9168907369	
17	BEA37	Gharat Pushpak Rajesh	8879110209	Design and Development of Solar Still
	BEA21	Deshmukh Nikhil Uday	8390180304	
	BEA13	Bhusari Apurv Vishnu	9769261011	
	BEA15	Chandorkar Soham Atul	8828266918	



TRUE COPY


Principal
Vishwaniketan's (I MEET)

7	BEB19	Patil Tanmay Revannath	8879361356	Automatic crop watering and intelligent farming system
	BEB41	Shelke Rushikesh Dattaram	9769636341	
	BEB16	Patil Prashant Shesherao	9968575617	
	BEB20	Patil Tushmesh Laxman	9082110636	
9	BEA18	Choudhary Suraj Kedar Prasad	9082547550	Hydrogen Production System
	BEA06	Barua Abhishek Ranjit Jayita	8698773349	
	BEA69	Mhatre Kunal Shashikant	7040839034	
	BEA14	Chandel Satejsingh Mahendrasingh	9967654009	
26	BEA17	Chavan Vishwajit Satish	7775911509	Mango Quality testing machine
	BEA09	Bhawke Omkar Bajarang	9833325585	
	BEB47	Shinde Rohit Ramchandra	9594563078	
	BEA44	Jadhav Rohit Bapuso	9765200859	
32	BEB35	Sale Shreyas Sanjay	7400380095	IoT based smart window for controlling brightness :A prospective of Heat transfer rate.
	BEA23	Deshmukh Sanket Suresh	8692876325	
	BEA39	Ghole Dakshet Suresh	9833661969	
	BEA26	Dudhbhate Suraj Khandu	8975244522	
27	BEA07	Barve Akash Satyvan	7039554798	Advance Operated Pesticide Spray Pump
	BEA01	Andhale Aniket Sampat	8108985062	
	BEB03	Nangare Shivam Ramdas	9664688957	
	BEA10	Bhaytandel Aniket Chandrakant	9168984983	
30	BEB67	Jangam Omkar Vijaykumar	9028473470	Design and Development of Automatically operated multipurpose cutting machine
	BEB69	Koli Omkar Chandrakant	9664635833	
	BEA49	Kamble Aniket Balu	9604383711	
	BEB76	Mohite Ajinkya Ramchandra (pro)	9764055384	
36	BEB77	Sakpal Mihir Vijay (pro)	9619894436	DESIGN AND CONSTRUCTION OF SOLAR POWERED AGRICULTURAL CHEMICAL SPRAYER
	BEB66	Gaikwad Sahil Sanjay	8286828100	
	BEB23	Patil Yash Sanjay	9960320748	
	BEB79	Jadhav Avinash Balkrishan	9321086860	
37	BEA38	Gharat Sarvesh Shivdas	8879563195	Design of Automated Life Saver Tube
	BEB32	Raut Abhijeet Mahadev	8097596641	
	BEB11	Patil Harishchandra Suresh	8928449255	
	BEB21	Patil Umesh Shrikrishna	7020837198	
4	BEA59	Kulkarni Shreerang Pramod	9594096956	Solar operated material Handling Fork lift
	BEA57	Khedekar Shubham Raosaheb	750603459	
	BEA12	Bhosale Omkar Shankar	9867578710	
	BEA02	Arke Sagar Bhausahab	8779896192	
24	BEA45	Jain Shubham Parasmal	9975482347	Design of Mini Compressorless refrigerator
	BEB43	Shende Sagar Sopan	8806205908	
	BEA71	Mhatre Nitesh Mukund	9112122031	
	BEA55	Khandale Ravindra Birappa	7972907144	
41	BEB61	Vishwakarma Sourabh Dwipchand	8625877142	Design and Manufacturing of Automatic Jalparni Removal Mechanism.
	BEB72	Kamat Shanknil Satish	8454077299	
	BEB75	Mhatre Pratik Prakash	7020760661	
21	BEB36	Salunke Rohit Narayan	8830604580	Optimization of Car suspension system performance using PID controller
	BEB13	Patil Manish Anil	9028360885	
	BEB39	Sawant Saurabh Subhash	8451831216	
	BEB40	Shaikh Samir Jamil	8983136032	



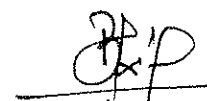
TRUE COPY

[Signature]
Principal
Vishwaniketan's (I MEET)

28	BEB46	Shinde Prathamesh Suresh	9987157724	Design and fabrication of DIY Ventilator using arduino with blood oxygen sensing for COVID-19 Pandemic
	BEB56	Thakur Pritesh Jeevan	7420948748	
	BEB44	Sherkar Shubham Sambhaji	7039008223	
	BEB42	Shelke Tushar Vilas	9004322729	
40	BEB51	Shirsat Pranal Avadhut	9930534723	Design and Computational analysis of VARS using RI34a DMAC
	BEB54	Suryawanshi Nikhil Sunil	8652012019	
	BEB60	Vishwakarma Shivam Shriram	9423571984	
8	BEB45	Shinde Darshan Bharat	7709056046	Automated Agricultural Machine (Agro Bot)
	BEA50	Kamble Sumedh Baliram	9619837072	
	BEB34	Salavi Saurabh Sandip	9527944057	
	BEB38	Sawant Aditya Avinash	8983143900	
12	BEB71	Ausarmal Ajit Atmaram (pro)	8355869726	Aqua Silencer With Temperature sensors
	BEB80	Chougule Akshay Bapurao	8454040409	
	BEB81	Radhakrishnan Anirudha (pro)	8898485660	
	BEB74	Maske Buddhbhushan Santosh (pro)	7499537431	
13	BEB68	Khairnar Harshal Amrut	8652712219	Analysis of variable compression ratio in (VCR) diesel engine
	BEB73	Mahadik Aniket Baliram (pro)	8888614839	
	BEA40	Ghosalkar Paresh Prakash	7507703484	
	BEB78	Vhore Shyamsundar Keshav (pro)	7499628334	
19	BEB27	Pawar Dilip Arun	7040919108	Automated Grain Shifting Machine
	BEB48	Shinde Sarvesh Tulshidas	8983506587	
	BEB65	Zore Chandu Babu	8793449309	
	BEB17	Patil Prathamesh Pradeep	8407959640	
3	BEB26	Pawar Akash Anil	9049963244	IoT BASED SMART INSECT KILLER
	BEB22	Patil Vinit Abhimanyu	9987677565	
	BEA43	Jadhav Gaurav Chhotulal	9819459501	
	BEA35	Gharat Abhijit Ramchandra	8928734904	
14	BEB58	Ugale Vaibhav Vishnu	8379886620	Design and Fabrication of Semi-Autometric Stamping Machine
	BEA63	Lendave Suyash Siddheshwar	9137376973	
	BEA03	Atkari Tejas Sanjay	8691943617	
	BEB53	Singh Sahil Pratap	7264925122	
22	BEB12	Patil Hrutik Kishor	8237300756	Refrigeration by aternator for food and medicine delivery
	BEA72	Mhatre Pratik Janardan	95185 04203	
	BEB18	Patil Suraj Dhanaji	77984 67822	
	BEA74	Mokal Nandan Anil	80875 97454	
15	BEA11	Bhoir Rohan Hemant	9503186120	Electro Magnetic Disc Braking System with Smart Assist
	BEA66	Mali Sahil Sharad	8793961884	
	BEA68	Mhatre Kunal Baliram	7769897663	
	BEA70	Mhatre Mrunal Krishna	9769755665	
31	BEA27	Fakke Akash Rajendra	7773980243	Automatic drainage cleaning system
	BEA19	Dalvi Kunal Ravindra	7057481076	
	BEA22	Deshmukh Sahil Dinesh	8329601386	
	BEA46	Joshi Rutik Prabhakar	9545659167	
35	BEB14	Patil Manthan Santosh	9167258492	IoT Based Waste Management System.
	BEA08	Bhagat Akshay Anandkumar	8655068005	
	BEB55	Tandel Amey Anant	9167089742	
	BEA78	Nadkar Shubham Ramesh	7208229092	



TRUE COPY


Principal
Vishwaniketan's (I MEET)



VISHWANIKETAN'S

Institute of Management Entrepreneurship and Engineering Technology

Department of Mechanical Engineering


Mini Project Even Sem A.Y.2020-21

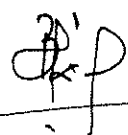
Class:- S.E.

Div. SE & DSE

Semester: IV

Group No.	Sr. No.	Roll No.	Name of Student	Team Leader & Contact No.	Name of Guide	Topic
1	1	SE 22	Omitya Mokal	Omitya Mokal 8779789386	Prof. Piyush Marathe	Flow measurement and calculation of river bed water for water quality management
	2	SE 23	dipesh Patil			
	3	SE 25	Shubham Patil			
	4	SE 26	Vedant Patil			
2	5	SE A 13	Prathmesh Mhatre	Prathmesh Mhatre 9594757278	Prof. Piyush Marathe	Design of bubble barrier mechanism for river bed cleaning
	6	SEA 02	Shreyog Bhesare			
	7	Sea 07	Rohan Ghadge			
	8	SEA 10	Shayan Khan			
3	9	SEA 29	Shreyash Daware	Sachin Kakade 9130331495	Prof. Ravindra Patil	River cleaning system/aqua dredger machine
	10	SEA 28	Shrey Dhanorkar			
	11	SEA 24	Sairaj Patil			
	12	SEA 33	Sachin Kakade			
4	13	SEA39	Dalvi Rhutik	Dalvi Rhutik 9067409687	Prof. Ravindra Patil	Airbags in Automobiles
	14	SEA32	Pratapure Ajinkya			
	15	SEA34	Deshmukh Yash			
	16	SEA36	Fernandes Wilson			
5	17	SEA 21	Jeevan Chalke	Makarand Tandel 9136817579	Prof. Chinmay Rohekar	River Water Health Monitoring System (Parameters: TDS, Conductivity and Location)
	18	SEA 27	Makarand Tandel			
	19	SEA 04	Prajakta Chile			
	20	SEA 09	Smita Kamble			
6	21	SEA12	Mali Vivek	Aditya Datar 9766736690	Prof. Chinmay Rohekar	River Water Health Monitoring System (Parameters: Turbidity and Temperature)
	23	SEA06	Gavand Shubham			
	24	SEA01	Bhagat Sohan			
7	25	SEA 03	Chatare Tejas	Tejas Chatare 8828097383	Prof. Sameer Shaikh	Riverbed cleaning technology (comparative study in detail)
	26	SEA 11	Khan Taufique			
	27	SEA 08	Gharat Chaitanya			
	28	SEA 20	Vcalaskar Suraj			
8	29	SEA15	Patil Amey	Dipanshu Shelar 8407996064	Prof. Sameer Shaikh	Comparative study on different air purifiers technologies
	30	SEA16	Phanse Sarangkumar			
	31	SEA17	Prasad Sharadkumar			
	32	SEA14	Nikam Prasad			
	33	SEA 19	Shelar Dipanshu			


Head of Department
Mechanical Engineering
Vishwaniketan's IMEET


Principal
Vishwaniketan's (I MEET)



TRUE COPY

Vishwaniketan's (I MEET)

Civil Engineering
1.3.3

VISHWANIKETAN'S
INSTITUTE OF MANAGEMENT ENTREPRENEURSHIP AND ENGINEERING TECHNOLOGY
B.E. CIVIL AY 2020-21
DEPARTMENT OF CIVIL ENGINEERING
Project Work

Sr. No	Group No.	Roll No.	Students name	Project Topic
1	1	A 21	DALVI NINAD NAMDEO	Repairs of cracks in concrete
2		B 19	MHATRE TEJAS HEMANT	
3		B 28	NARVEKAR RUTIK ADIK	
4		B 88	VIRULKAR DHANSHRI ISHWAR	
5	2	B 11	MHATRE CHIRAYU JAHINDRANATH	PLANNING, ANALYSIS & DESIGN of GREEN RCC STRUCTURE WITH FOUNDATION
6		B 41	PATIL PRITIKA KIRIT	
7		B 47	PATIL KALYAN PRALHAD	
8	3	B 84	THAKUR SURAJ BHARAT	Research and development in Industrial waste bricks
9		A 47	GHAVATE RAJANIL	
10		A 54	T HIRTHICKBHARANI S TAMILVANAN	
11		B 50	PATIL PAYAL KISHOR	
12		B 89	WAGHULE KETAN BABASAHEB	
13	4	B 31	PACHARNE BHAVNA NANASAHEB	Dynamic Analysis of Multistoried Building with or without shear wall.
14		B 53	PATIL RUTUJA ARUN	
15		B 58	PATIL SAMIKSHA HANUMAN	
16	5	B 57	PATIL VINAYA MADAN	FLYASH BASED GEOPOLYMER CONCRETE
17		A 33	GADADE SHUBHAM BIRUDEO	
18		B 33	PAL SHUBHAM YASHWANT	
19		B 65	QUREISHI NOORUDDIN AHMED	
20	6	B 70	SAYYED HASAN AHMED	ADVANCED PAVEMENT DESIGN
21		A 24	DAYANAND SUBHASH INDUBAI	
22		A 48	GHASTI PRANAY SANJAY	
23	7	A 81	KHEDKAR AKSHAY ANAND	MODULAR TECHNIQUES OF CURING
24		B 27	NARONA H. SHASHIKANT	
25	8	A 19	CHAVHAN SWARAJ VISHWAS	Response of multi storied RCC building with bracing in soft storey
26		A 69	KABURE GAJANAN APPASO	
27		B 68	SALUNKE ABHISHEK GANESH	
28		A 08	BELOTE VISHAL PAPPU	
29		A 17	CHAUDHARY SHEFALI HEMANT	
30	8	A 29	DHEMBRE PRATHMESH APPASAHEB	
31		A 77	KHADE MAYURI DATTATRAY	

Head of Department
Civil Engineering
Vishwaniketan's Institute



TRUE COPY

VISHWANIKETAN'S
INSTITUTE OF MANAGEMENT ENTREPRENEURSHIP AND ENGINEERING TECHNOLOGY
B.E. CIVIL AY 2020-21
DEPARTMENT OF CIVIL ENGINEERING
Project Work

32	9	A 11	BHAGAT SARVESH JAGDISH	Analysis kanchenjunga apartment
33		A 20	CHOUDHARI DARSHAN ANIL	
34		A 27	DESHMUKH SHUBHAM SANJAY	
35	10	A 72	KAMBLE VIVEK SUNIL	Evaluation of bamboo as reinforcement in Portland cement
36		A 06	BATHUA KUNAL R.	
37		A 23	DANDEKAR NIKHIL JAYENDRA	
38	11	A 32	FERNANDES ALVES	Rapid Wall Technology
39		A 89	KUMAVAT KIRAN DAGA	
40		B 38	PAREKH RUSHABH MILAN	
41	12	B 39	PATEL VEENA DHANJI	Heavy Metals Removal
42		B 52	PATIL RONAK SANJIVAN	
43		B 78	SOY ANAND NANDLAL	
44	13	A 39	GAWADE VAIBHAV SUBHASH	EFFECT OF RATE OF LOADING ON COMPRESSIVE STRENGTH OF CONCRETE
45		A 51	GURAV NIKHIL UDAY	
46		A 52	HAJARE VAIBHAV SURESH	
47	14	A 53	HANDE RUSHIKESH RAMCHANDRA	Partial Replacement of Coarse Aggregate with Bamboo in Base Layer in Road Construction
48		B 54	PATIL SAHILEE PARSHURAM	
49		B 71	SHAIKH FAIYAZ SAYYAD	
50	15	B 73	SHAIKH SAAD ARSHAD	Comparative study of ECO-STP and conventional STP
51		B 91	WARKE SHWETA SUDHAKAR	
52		B 02	MAHADIK ADITYA KASHINATH	
53	16	B 06	MANDAVKAR MANSI SUDHAKAR	Conceptual planning and designing of G+ 4 building in detail
54		B 15	MHATRE PRATIKESH SHANKAR	
55		B 25	NAIK KETAN PADAJI	
56	16	B 14	MHATRE PRANAV VILAS	Conceptual planning and designing of G+ 4 building in detail
57		B 24	MULLA SAJADA SHAFAHATAHAMAD	
58		B 26	NANDGAONKAR RUTUJA SANTOSH	
59	16	B 90	WANALEKAR VARSHA HANUMANTRAO	Conceptual planning and designing of G+ 4 building in detail
60		A 79	KHANDALKAR ADITYA BALKRISHNA	
61		A 88	KUMAVAT KARAN ANAND	
62	16	B 30	NIVALE BALKRUSHNA LAXMAN	Conceptual planning and designing of G+ 4 building in detail
63		B 59	PAWAR ASHUTOSH SHIVAJI	

[Signature]
Principal
Vishwaniketan's (I MEET)

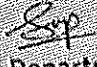
[Signature]
Head of Department
Civil Engineering
Vishwaniketan's (I MEET)




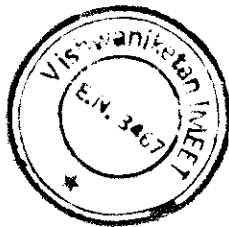
TRUE COPY

VISHWANIKETAN'S
INSTITUTE OF MANAGEMENT ENTREPRENEURSHIP AND ENGINEERING TECHNOLOGY
B.E. CIVIL AY 2020-21
DEPARTMENT OF CIVIL ENGINEERING
Project Work

64	17	A 01	ACHARYA VARUN GANPAT	Green Airport Building
65		A 75	KATRODIA MITANSHU MANISH	
66		A 85	KOLEKAR PRATIK NAMDEO	
67		B 58	PATRIKAR SHASHWAT VINOD	
68	18	A 49	GUJAR SHUBHAM ANIL	Energy saving water suction pump (ETABS analysis of multistorey building by using time history method)
69		B 48	PATIL OMKAR SARYAKANT	
70		B 49	PATIL PARAMVIR PANDURANG	
71		B 51	PATIL PREEETI SANTOSH	
72	19	A 15	BORKAR ADITYA PRADEEP	Application of GIS System in Mumbat area and other catastropic region (Water quality monitoring for mithi river)
73		B 12	MHATRE NISHANT MANOHAR	
74		B 23	MULEY PRANAY TEJRAO	
75		B 64	PUNYARTHI RUSHIKESH SADANAND	
76	20	A 48	GOSAVI HRUSHIKESH SHRIRAM	Design of Traffic Signal at Char phata and khalapur phata
77		B 79	SURVE CHAITANYA SANJAY	
78		B 82	TEMBARE SIMRAN NANASAHEB	
79		B 83	THAKUR SAHIL MANOHAR	
80	21	A 42	GHADGE SANDESH RAJENDRA	concrete water filter
81		B 63	PAWAR SANJAY SOMA	
82		B 72	SHAIKH IJAMMUL JAKIR	
83		B 77	SAUNDALKAR AKSHAY SAKHARAM	
84	22	A 04	DEVYANI BARASKAR	Rotating bridge
85		A 64	JADHAV SHIVRAJ SHAHAJI	
86		A 76	KHADAKBAN SUYOG VAIBHAV	
87		B 25	NIMBALKAR SUPRIYA GANPAT	
88	23	B 01	MADAKE ROSHANI SURESH	Feasibility study of road connecting VIMEET to old highway(char phata)
89		B 43	PATIL SANJANA SANDESH	
90		B 61	PAWAR DHANANJAY DILIP	
91		B 69	SAWANT VIJAY SUNIL	
92	24	A 31	DHUMAL GANESH RAJENDRA	comparison between conventional steel and hollow steel for industrial building
93		A 38	GAVATE HITESH JANARDAN NILIMA	
94		A 43	GHADI NIKHIL PRAMOD	
95		A 62	JADHAV SARVESH SANDEEP	
96	25	A 25	DESHMUKH PRATHMESH NARESH	Design Of Road From Thakurwadi Village To Vishwaniketan Campus
97		A 78	KHALOKAR SUSHANT AJAY	
98		B 34	PANDEY ARVIND RAMSAGAR	
99		B 35	PANDEY NEERAJ RAMCHANDRA	


 Head of Department
 Civil Engineering
 Vishwaniketan's IMEET


 Vishwaniketan's (IMEET)



TRUE COPY

VISHWANIKETAN'S
INSTITUTE OF MANAGEMENT ENTREPRENEURSHIP AND ENGINEERING TECHNOLOGY
B.E. CIVIL AY 2020-21
DEPARTMENT OF CIVIL ENGINEERING
Project Work

100	26	A 07	BEDSE JAYESH DIPAK	Analysis and design of road to prevent water logging in VIMEET campus
101		A 22	DAMARE RITESH TANAJI	
102		A 28	DHAWALE GITANJALI GOVIND	
103	27	A 58	JADHAV NIKHIL KAILAS	Design of kinetic roads with the help of electro kinetic ramps
104		A 05	BASARE SHRADDHA	
105		A 18	CHAVARE TANVI	
106	28	A 50	GURAO GAYATRI ANKUSH	Comparative study of flat slab and conventional slab using Etabs software for different earthquake zone in India
107		B 40	PATIL KAJAL DEEPI	
108		A 41	GAWAND DIVYA DINANATH	
109	29	A 68	KOR GANESH SHANTARAM	Use of Industrial Waste water in Concrete
110		B 13	MHATRE NISHITA YASHWANT	
111		B 21	MOKAL MINAL JAYARAM	
112	30	A 13	BHORING SAGAR MANUBHAI	ANALYSIS OF CRITICAL SUCCESS FACTORS FOR CONSTRUCTION PROJECTS *
113		A 14	BHUJBAL MEGHA DINKAR	
114		A 26	DESHMUKH ANKITA VIKAS	
115	31	A 34	GAIKWAD KALPESH LAXMAN	Utilization of plastic coated aggregates in road construction
116		A 09	BHAGAT DHAYAL DINESH	
117		A 30	DHOKALE BALAJI DADASAHEB	
118	32	A 37	GARDI OMKAR NARENDRA	self repairing road
119		A 60	JADHAV RAHUL SHANKAR	
120		A 57	JADHAV AKSHAY RAMESH	
121	33	A 63	JADHAV SHIVANI ANANT	"A Sponge city" model to tackle flood & Management of Water
122		A 68	JOSHI SIDDHANT GANESH	
123		A 83	KOLAMBE TUSHAR BHAGWAN	
124	34	A 44	GHARAT VRUSHALI SHRISH	EFFICIENT TRANSPORTATION SYSTEM FOR VISHWANIKETAN CAMPUS
125		B 16	MHATRE RAHUL ASHOK	
126		B 44	PATIL AKASH GANESH	
127	35	B 45	PATIL GITANJALI JAYAWANT	LIFE CYCLE COST ANALYSIS FOR SEWAGE TREATMENT PLANT
128		A 02	AHIRRAO SNEHA RAJARAM	
129		A 25	GAIKWAD ANKITA ASHOK	
130	36	A 45	GHARAT DIWANGI MANOJ	EFFICIENT TRANSPORTATION SYSTEM FOR VISHWANIKETAN CAMPUS
131		B 88	WAGHMARE ANKITA ASHOK	
132		B 62	PAWAR OMKAR	
133	37	B 67	SALEKAR LAUKIK BHARAT	LIFE CYCLE COST ANALYSIS FOR SEWAGE TREATMENT PLANT
134		B 80	TAMBADE GOPINATH RAJENDRA	
135		B 61	TAMBOLI GUSHANT MADHUKAR	
136	38	A 70	KACHARE VIVEK	LIFE CYCLE COST ANALYSIS FOR SEWAGE TREATMENT PLANT
137		A 87	KOTIWALE AVISHKAR IRAPPA	
138		B 20	MHATRE TEJASVI	
139	39	B 67	WAGH SAURABH MADHUKAR	LIFE CYCLE COST ANALYSIS FOR SEWAGE TREATMENT PLANT
140		A 70	BHAGAT PRANAY	

[Signature]
Head of Department
Civil Engineering
Vishwaniketan's IIT

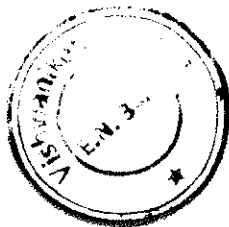


TRUE COPY

141	36	A. 64	JAIWAR PRANSHU RAMLAL	Design of porous asphalt road construction using fyrrs as reinforcement and under reinforcement.
142		A. 82	KHARATMOE SAGAR PANDURANG	
143		B. 04	MAHANUR SURAJ	
144	37	A. 16	BUGADE SACHIN TANAJI	The Development of Mumbai city - an intelligent transportation system
145		A. 59	JADHAV NILESH MURALI	
146		A. 73	KARANJIKAR AKASH RAJERAJU	
147		B. 76	SHIRSAT ABHAY VITHOBA	
148	38	B. 17	MHATRE SAMIR SANJAY	Design of Flexible Pavement
149		B. 48	PATIL JAYESH MOHAN	
150		B. 66	SALVI DARSHAN MANOHAR	
151		B. 74	SHETYE RIDDHI ASHISH MANSI	
152	39	A. 82	KODAG AKASH GOPAKH	SLUM REHABILITATION & REDEVELOPMENT (SEWRI LOCATION)
153		A. 84	KOLEKAR AMOL JAGANNATH	
154		B. 07	MANE PRASAD VIKAS	
155		B. 60	PAWAR CHAITANYA MILIND	
156	40	A. 12	BHAT WASEEM	Comparison on Measurement of a Building and land using Total Station, ArcGIS and Google Earth
157		A. 74	KARDE SHUBHAM PRAKASH	
158		B. 03	MAHALE KIRAN HARISH	
159		B. 09	MASKE VIKAS	
160	41	A. 40	GAIWALI PRASHANT ARJUN	prefabricated Sturture
161		A. 81	JADHAV RAJKUMAR SUNIL	
162		A. 65	JAGDALE SAGAR	
163		B. 92	YADAV ANIKET MAHENDRA	
164	42	A. 03	AMANE PRADYUMN	INFLUENCE OF SILICA FUME ON CONCRETE
165		A. 36	BAIKWAD SARTHAK	
166		A. 67	JEURGI PRATIK	
167		B. 37	PARDESHI RUSHIKESH	
168	43	A. 64	INARKAR ANKUSH	Water quality analysis of water bodies of Dharni village
169		A. 90	KUNDALE SWAPNIL	
170		B. 34	PANDHARE AKSHAY	
171		B. 75	SHINDE NIKHIL	
172	44	A. 71	KAMBLE ANKUR	Rain water harvesting technology for Residential Building
173		B. 08	MASANE KAPIL	
174		B. 10	MHATRE ADITYA	
175		B. 22	MOTE TEJAS	
176	45	B. 05	MALKAR ROHIT	Manufacturing of sewage sludge Bricks
177		B. 66	PATIL TUSHAR	
178		B. 45	THAKUR VAIBHAV	
179		B. 93	YADAV NIRANJAN	
180	46	A. 58	INKAR TEJAS	HAIR FIBER REINFORCED CONCRETE
181		B. 16	MHATRE SAURABH	
182		B. 32	PADWAL SOHAN	
183		B. 42	PATIL RAHUL	

J.P.
Principal
Vishwaniketan's (I MEET)

S.P.
Head of Department
Civil Engineering
Vishwaniketan's (I MEET)



TRUE COPY

VISHWANIKETAN'S
INSTITUTE OF MANAGEMENT ENTREPRENEURSHIP AND ENGINEERING TECHNOLOGY
DEPARTMENT OF CIVIL ENGINEERING
S.E. 2020-2021
MINI PROJECT DETAILS

Sr. No.	Group No.	NAME OF THE STUDENT	Project Title (3rd Sem)	Project Title (4th Sem)	Guide
1	1	PANDIT ADITYA DAYANAND	Interlocking Plastic brick	Interlocking Plastic brick	Prof. Priya kale
2		POOJARY SAMANTH SUDHAKAR			
3		PALVE NITESH GANGARAM			
4		GHARAT ANVAY RAVINDRA			
5	2	PATIL ABHIRAJ MAHENDRA	Replacement of cement by silica fume and merble powder	Closed traverse of area using prismatic compass	Prof. Chiranjivi Hegde
6		MHATRE DARSHAN MANOHAR			
7		MHATRE AAKASH GANGARAM			
8		MHATRE NITESH GANESH			
9	3	MORE AISHWARYA MILIND	Development of road using plastic polymer	Development of road using plastic polymer	Prof. Pallavi Dongare
10		TERDE HIMANSHU PRAKASH			
11		DAREKAR PRATHAM ANIL			
12		PAWAR RUTUJA RAJENDRA			
13	4	NAYAK SUBRAT KUMAR SANJAY KUMAR	Reuse of plastic waste in Paver Blocks	Eco-Floating House	Prof. Shiya Deshpande
14		JADHAV DARSHAN PRAKASH			
15		SHARMA SHIVDUTT MANOJ			
16		TUMMA HARISH CHINNAPENTAIAH			
17	5	SHIRKE JAYESH RAMDAS	Geogrid - As a soil reinforcement	Geogrid - As a soil reinforcement	Dr. Heena Jain
18		JADHAV SURAJ VENKAT			
19		AVHAD DNYANESHWAR DIGAMBAR			
20		SURYAVANSHI PRATHMESH SHIVAJI			
21	6	SORATHIA ALFAIEZ IQBAL	Water Purification using evaporation	benifits of natural materials in civil engineering	Prof. Sneha Hirkane
22		KAMBLE SIDDHIRAJ GAUTAM			
23		THORAT TANMAY			
24		ABDAR SWAPNIL DEVIDAS			
25	7	AMBekar ROHIT SURESH	Working of water treatment plant	Study of reuse of plastic	Prof. Rupesh Devale
26		BADE AVINASH VIJAY			
27		BHILARE SIDDHANT SANJAY			
28		BHOIR SANKET GANGARAM			
29	8	DHAMALE SUSHIL SUNIL	study the age factor of concrete upto 90 days by using fly ash	study the age factor of concrete upto 90 days by using ggbs	Prof. Ankit Singh
30		GAIKWAD AKASH VASANT			
31		GAIKWAD RHEA SUNIL			
32		GAVAND TANMAY KESHRINATH			
33	9	GAWAND DURVAL GAJANAN	Use of Waste tyres as partial replacement of Aggregate	Porous Asphalt pavement using Scrapped tyres	Prof. Shekhar Sorate
34		GURTE RAJESH UTTAM			
35		JADHAV ANAND DILIP			


Vishwaniketan
MEET

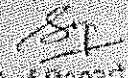
Head of Department
Civil Engineering
Vishwaniketan's



TRUE COPY

36		JADHAV ANIKET DEVRAM			
37		JADHAV RAJENDRA PANDURANG			
38	10	KARDAK SIDDHANT SHYAM	Leakage Treatments on RCC structures	Leakage Treatments on RCC structures	Prof. Deepali Barad
39		KHADE VISHAL BALIRAM			
40		KOHIINOORKAR RAJESH DEVINDRA			
41		LIGAM AAKASH CHANDRAKANT			
42	11	MHATRE ANIKET CHANDRAKANT	Geopolymer Technology	Construction safety management	Prof. Bhushan Mmmine
43		MUNDHE KSHITIJ BHARAT			
44		PALKAR AKSHAY KAILAS			
45		PALRECHA PRAJWAL INDARAMAL			
46	12	PATIL KALPESH PRABHAKAR	Interior Design	Geo Synthetic	Prof Priya Kale
47		PATIL SHRUTEESUDHAKAR			
48		PAWAR PRANAV GIRISH			
49		PINGALA PRIYANKA KRUSHNA			
50	13	SATVE YASH CHANDRAKANT	Effect of plastic pollution	differential leveling	Prof. Chiranjivi Hegde
51		SHID MAHESH RAMESH			
52		TALKAR SURAJ SUDHAKAR			
53		UGHADA NANA KAMALU			
54	14	GADAGE DEEPAK KONDIBA	Fly Ash In Concrete	Ground Water Recharge Harvesting	Prof. Pallavi Dongare
55		BIRADAR ABHIJEET SHANTKUMAR			
56		SANKPAL GAURAV SANTOSH			


 Principal
 Vishwaniketan's (I MEET)


 Head of Department
 Civil Engineering
 Vishwaniketan's (I MEET)



TRUE COPY

Electrical Engineering
1.3.3



Kopran

KOP/KHP/HR/2021/2087

Date: September 6, 2021

TO WHOMSOEVER IT MAY CONCERN

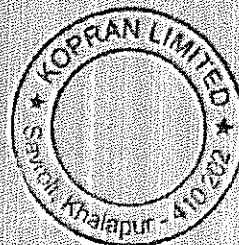
This is to certify that, **Mr. Tanmay Khandekar** the student of Fourth year B. E Electrical from Vishwaniketan's Institute of Management Entrepreneurship & Engineering Technology has undergone industrial training in our company from 6th August 2021 to 6th September 2021.

During the tenure of his training he found sincere & studious.

We wish him all the best in his future endeavors.

For, **KOPRAN LIMITED.,**

Sanjay Zemse
(AGM- HR & IR)



TRUE COPY

TRUE COPY

Principal
Vishwaniketan's (I MEET)



9. The contract for On the Job Training can be terminated by giving one month notice or one month stipend pay in lieu of notice to the NEEM trainee with or without reason.

10. Continuance of payment of stipend shall depend on your satisfactory performance during the training period.

11. As per NEEM notification amendment dated 15th June 2017 vide clause no. 15.1 the stipend shall be paid at par with the prescribed minimum wages for unskilled category & 15.2 Remuneration / Stipend shall be paid as a single consolidated amount and such payment will not attract any statutory deductions or payments applicable to regular employees i.e. PF/ESI etc., since the NEEM contract assures training and does not constitute employment.

12. Yashaswi as NEEM Facilitator will formulate a "Training Program" for the training NEEM Trainee and shall make suitable arrangements for facilitating the same.

13. NEEM Trainee shall be imparted training according to normal hours of work of the department in the establishment to which he/she is attached for training.

14. The Stipend for a particular month shall be paid in time.

For Yashaswi Academy for Skills

Authorized Signatory

Date :- 10-Jul-2021

ENDORSEMENT

I hereby confirm acceptance of the above NEEM Contract letter, on the terms and conditions stipulated therein. I understand and agree that my signing this contract does not constitute employment by Yashaswi as NEEM Facilitator or any guarantee of employment. I also undertake that I am pursuing my studies and I was never member of Provident Fund.

Accepted & Agreed

(Signature of Trainee)

Date :- 10-Jul-2021



TRUE COPY

Principal
Vishwaniketan's (I MEET)



FINE FINISH ORGANICS PVT. LTD.

Excellence in Innovation
An ISO: 9001: 2015 Certified Company

Manufacturers of Specialty Chemicals for Engineering and Shipping Industries

Plot no. 29, New Chemical Zone,
M.I.D.C., Taloja, Navi Mumbai - 410 208.
PH: +91 22 2741 1329
FAX: +91 22 2756 0249
CIN number: U24110MH1994PTC078790
Email: info@finefinish.net
Website: www.finefinish.net

Dt. 09.06.2021

Mr. Vijay Shivaji Gaikwad
Guru Ashish CHS Plot No. 35
Sec-1E, C-101, Kalambohi 410218
Email ID: vijaygaikwad9892@gmail.com
Contact: +919136365279

SUB: OFFER LETTER

Dear Vijay,

This has reference to your application dated 7th June 2021 for employment in our organization. Based on your internship performance, we are glad to offer you employment in our company as "Electrical Testing & Maintenance Engineer" from 1st July 2021. Along with a copy of acceptance of this offer letter, please submit self-attested copies of your credentials. Also, please note that due to the Covid-19 pandemic conditions, you need to commute to place of work in your personal vehicle.

Your monthly emoluments will be as below:

a. Basic Salary	Rs. 8,703/-
b. Dearness allowance (fixed)	Rs. 5,802/-
c. House Rent Allowance	Rs. 7,253/-
d. Conveyance	Rs. 1,200/-
e. Medical Allowance	Rs. 1,250/-
f. Mobile Allowance	Rs. 1,000/-
g. Special Allowance	Rs. 3,802/-
h. Company's contribution towards PF	Rs. 1,886/-
i. Bonus	Rs. 1,741/-
j. Gratuity	Rs. 698/-
	Rs. 33,335/-

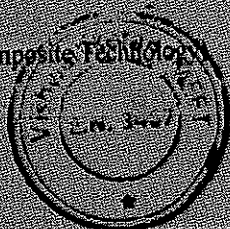
During the probation period of 1 year, notice period will be 15 days on either side.

We look forward to a fruitful and long association with you for our mutual benefit.


Yours faithfully,

For FINE FINISH ORGANICS PVT. LTD.,


K. Pooja Rani
Sr. Manager (Quality & Composite Technology)



TRUE COPY


Principal
Vishwanikotan's (I MEET)

**FINE FINISH ORGANICS PVT. LTD.**

801, SAI SANGAM, PLOT NO-85
SECTOR-15, CBD BELAPUR
NAVI MUMBAI-400614
MAHARASHTRA
Maharashtra - 400614
CIN: U24110MH1994PTC078790

Pay Slip
for May-2021**RAVI SURENDRA GUPTA**

Employee Number	: ED706	Tax Regime	: Regular Tax Regime
Function	:	Income Tax Number (PAN)	:
Designation	:	Universal Account Number (UAN)	: 101682834373
Location	:	PF account number	:
Bank Details	: 920010073157117, Axis Bank (India), Talaja	ESI Number	: 3415859135
Date of joining	: 1-Apr-21	PR Account Number (PRAN)	:

Attendance Details	May-21	YTD
Present / Paid Days	17 Days	40 Days

Earnings	May-21	YTD
Basic Salary (Days Basis)	2,040.00	4,800.00
Dearness Allowance (Day Basis)	1,360.00	3,200.00
Conveyance Allowance (Day Basis)	1,700.00	4,000.00
Mobile Allowance (Days Basis)	1,700.00	4,000.00
Total Earnings	6,800.00	16,000.00
Deductions	May-21	YTD
Employee's EPF Deduction	408.00	960.00
ESI Deduction	51.00	120.00
Profession Tax		175.00
Total Deductions	459.00	1,255.00
Net Amount	₹ 6,341.00	₹ 14,745.00
Employer Contribution	May-21	YTD
Employee Provident Fund @ 3.67%	125.00	294.00
Employees' Pension Scheme @ 8.33%	283.00	666.00
Employer's ESI Contribution	221.00	520.00
Total	629.00	1,480.00

Amount (in words):

Indian Rupees Six Thousand Three Hundred Forty One Only

**TRUE COPY**

BRP
Principal
Vishwaniketan's (I MEET)

महाराष्ट्र राज्य विद्युत वितरण कंपनी मर्यादीत
कळंबोली ढव विभाग
(महाराष्ट्र शासन सपक्रम)
CIN : U40109MH2000SSGC153645

फोन नं. २७४११४५०



ईमेल : sdo0345@gmail.com

आफिला परता :
अति.कार्यकारी अभियंता
पील.६ ए ५ तळ मजला
बोवटव : ब्यादा कॉलनी

अति.काख / कळंबोली / मासंवि / No 8 4 7 /

दि. 12 JUL 2021

कार्यालयीन आदेश

अधिक्षक अभियांता यांचे पत्र कं.अअ/वामं/मासंवि/Inetership/003952 दिनांक 08.07.2020 यांच्या संदर्भांनुसार कु.जय रविंद्र गायकर यांना इंटरशिप इलेक्ट्रीकल इंजिनियर म्हणुन एक महिन्याकरीता कळंबोली उपविभागातील जवाहर शाखा येथे दिनांक 12.07.2021 रोजी नियुक्ती करत आहोत.

✓ प्रति : कु.जय रविंद्र गायकर

अति.कार्यकारी अभियंता
महावितरण
उपविभाग कळंबोली

प्रत सादर : सहा.अभियंता, जवाहर शाखा



Principal
Vishwaniketan's (I MEET)

TRUE COPY



(A Govt. of Maharashtra Undertaking)
CIN: U40109MH2005SGC153645

PHONE NO: 02143-252210
E-mail: sdo4142pen@gmail.com
Website: www.mahadiscom.in

OFFICE OF THE DYEE
O&M SUB-DIVISION PEN
AT- Valmiki Niwas, Antora Road, Pen Raigad

Ref No. DYEE/Pen/HR/No 01598

Date:- 29 JUL 2021

Certificate

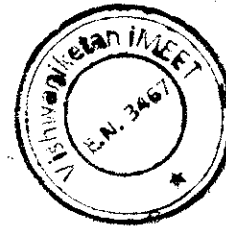
This is to certify that Mr. Divyesh Chandrakant Koli, student of Vishwaniketan Institute of Management Entrepreneurship Engineering Technology (ViMEET), Khalapur has successfully completed his internship training period from 28.06.2021 to 28.07.2021 under M.S.E.D.C.Ltd, Pen Sub division. During training he is made our about Pen sub division under 22 kv Sub Station, 22 kv distribution transformers etc. We found he is very sincere, hard working, competent & he took handled to his. We wish him all the best for the future.

Date: 29 JUL 2021

Place: Pen

(U.P. Sapkale)
DY Executive Engineer (O&M)
M.S.E.D.Co. Ltd. Pen.

TRUE COPY



Principal
Vishwaniketan's (I MEET)



(A Govt. of Maharashtra Undertaking)

CIN: U40109MH2005SGC153645

PHONE NO: 02143-252210
Email: sdo4142pen@gmail.com
Website: www.mahadiscom.in

OFFICE OF THE DYEE
O&M SUB-DIVISION PEN
AT- Valmiki Niwas, Antara Road, Pen Raigad

Ref No. DYEE/Pen/HR/NO 01598

Date: 29 JUL 2021

Certificate

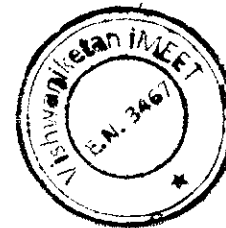
This is to certify that Mr. Divyesh Chandrakant Koli, student of Vishwaniketan Institute of Management Entrepreneurship Engineering Technology (ViMEET), Khalapur has successfully completed his internship training period from 28.06.2021 to 28.07.2021 under M.S.E.D.C. Ltd. Pen Sub division. During training he is made our about Pen sub division under 22 kv Sub Station, 22 kv distribution transformers etc. We found he is very sincere, hard working, competent & he took handled to his. We wish him all the best for the future.

Date: 29 JUL 2021

Place: Pen

(U.P. Sapkale)
DY Executive Engineer (O&M)
M.S.E.D. Co. Ltd. Pen.

TRUE COPY



Principal
Vishwaniketan's (I MEET)


MAHATRANSCO
Maharashtra State Electricity Transmission Co. Ltd.
EHV PROJECT CUM O&M ZONE, VASHI
CIN No. U40109MH2005SGC153646

OFFICE OF THE CHIEF ENGINEER,
4TH FLOOR, MSEB ADM. BLDG. PLOT NO. 5, SECTOR-17,
VASHI, NAVI MUMBAI-400703.
PHONE NO (022) 27666010 (P) / 27665994 (O) / 27665984 (O) FAX No. : 27662055
E-mail: cevashi@mahatransco.in / agmhr7000@mahatransco.in

CE/EHV/PC O&M/ZONE/VSH/HR/ **101750** DATE: **17 NOV 2020**

To,

The Principal
Vishwaniketan's Institute of Management
Entrepreneurship & Engineering Technology (ViMEET),
Sr.No.52, Kumbhivali, Near Khalapur Toll Naka,
Off Mumbai-Pune Expressway, Tal. Khalapur,
Dist. Raigad-410 202.
Email ID: - principal.vimeet@vishwaniketan.edu.in

Sub: - Permission for one-month Internship training at 100KV Vashi S/stn., under EHV O&M Dn., Bhandup w.e.f. 17.11.2020 to 16.12.2020 in our organization.

Dear Sir/Madam,

In connection to the above subject, this is to inform you that, permission for one month Internship training is hereby granted to the student as mentioned below.

Sr. NO.	Enrollment No.	Name of Students	Name of Substation	Period of Industrial training
1	10120170300	Mr. Aditya Shrikant Shingare	100KV Vashi S/s. Under EHV O&M Dn. Bhandup	17.11.2020 To 16.12.2020


In view of the above, Third Year B. Tech. Electrical Engineering student of your college is permitted for one-month Internship training w.e.f. 17.11.2020 to 16.12.2020 in our organization i.e. at 100KV Vashi S/stn., under EHV O&M Dn. Bhandup. Guide allocated for the student for one-month training is as follows:

1] **Shri. Amarkant Sambhaji Gadigone, Dy. Executive Engineer (Trans)**
100 KV Vashi Substation

The concerned student to report to the above guide daily and get attendance marked. Also, take necessary precaution and ensure that safe distance from live equipment shall be maintained. **Student should carry the Identity Card daily.**

Further, the students should submit training report to the Executive Engineer, **EHV O&M Dn., Bhandup** through the Dy. Executive Engineer (Trans), **100KV Vashi Substation** after completion of one month Internship training for issuing completion certificate to him.

Yours faithfully,

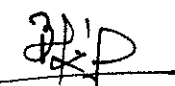

(Nasir Quadri)
CHIEF ENGINEER
EHV PC O&M Zone, Vashi.

Copy to: -

1. The Superintending Engineer, MSETCL, EHV O&M Circle, Kalwa.
2. The Executive Engineer, MSETCL, EHV O&M Dn. Bhandup.
3. The Executive Engineer (Adm.), MSETCL, EHV PC O&M Zone, Vashi.

TRUE COPY




Principal
Vishwaniketan's (I MEET)

October 31, 2019

TO WHOMSOEVER IT MAY CONCERN

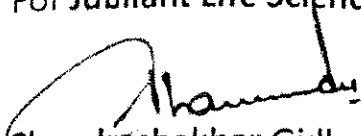
This is to certify that Mr. SAURAV BABAN DESHMUKH has undergone the training under "The Apprentice Act 1961 (as amended in 1973)" from November 1, 2018 to October 31, 2019 as Apprentice in Engineering Department & his registration member ID is WMHD011180600236.

During his training period with Mr. SAURAV BABAN DESHMUKH was found sincere, team player & hardworking.

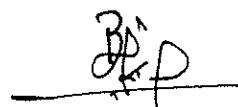
His training period is successfully completed on October 31, 2019.

We wish Mr. SAURAV BABAN DESHMUKH, all the very best in his future endeavours.

For Jubilant Life Sciences Ltd.

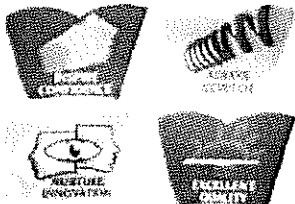

Chandrashekhar Gidh
Head HR




Principal
Vishwaniketan's (PVT) LTD.

TRUE COPY

A Jubilant Bhartia Company



Jubilant Life Sciences Limited
S. No. MIDC, Anar / Nagar
Ade / Anar, Dist. Solapur - 421 506
Maharashtra, India
Tel: 07767018691, 52 19552567573
Tel: +91 241 2620437, 2620418
www.jlif.com

Corporate Office
E.A. Sector - 10/3
Noida - 201 301, UP India
Tel: +91 120 25 6601 11
Fax: +91 120 25 6628 30

Regional Office
Bhatnagar, Jaipur
Dist. Jaipur
24 23 107 000

CIN : L24116UP1978PLC004624



BHUSHAN

BHUSHAN STEEL MADHYA BHARAT LIMITED

(a subsidiary of Tata Steel BSL Limited)

Ref. No: BSL(M)/HR/Appointment/20-21/01/56

Date: 28/01/2021

Mr. Saurav Baban Deshmukh
At- Kharvandi- Po- Kondivade
Dist- Raigad, Maharashtra - 410201
Email: saurabhdeshmukh772@gmail.com

Mob: +91-7276617767

Sub: Appointment Letter.

Dear Mr. Deshmukh,

This is with reference to your application for employment, and the subsequent interview that you had with us.

We are pleased to inform you that you have been found suitable and we would, therefore, like you to join Bhushan Steel Madhya Bharat Limited as **Jr. Engineer- O & M** at Khopoli, Dist. Raigad, Maharashtra on terms and conditions that are enunciated in the annexure.

We would be happy if you accept our offer and make preparations to join us at Khopoli, Dist. Raigad, Maharashtra on or before Dtd: 01/03/2021. If there are any clarifications that you require from us, please contact our HRM colleague Mr. Nikhil Rithe at 9049078908 or write to him at nikhil.rithe@patner.tatasteelbsl.co.in.

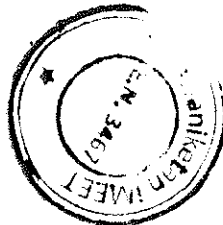
Please send us the scanned copy of the annexure, duly signed by you, as token of your formal acceptance of our offer. The scanned copy may please be sent to nikhil.rithe@patner.tatasteelbsl.co.in.

We look forward to having you join Bhushan Steel Madhya Bharat Limited.

Yours sincerely,

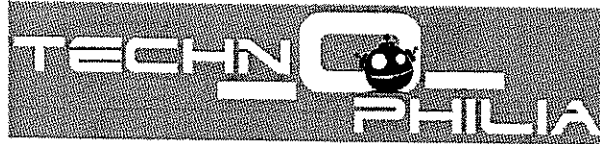
Sanjaya Kumar Satapathy
Authorized Signatory

TRUE COPY



Principal

Vishwanath



AZeotropy
IIT BOMBAY

CERTIFICATE
OF PARTICIPATION

THIS CERTIFICATE IS AWARDED TO

Sidheish Borrse

in acknowledgement of participation in the

Python Programming Course

with **Technophilia Summer Training** in association with **AZeotropy IIT Bombay**

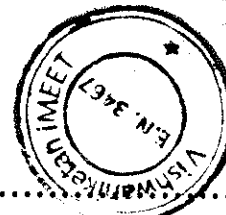
successfully completed during **June & July 2021**

Mr. Ash Juneja
Program Coordinator
Technophilia Solutions

Powered by -



TRUE COPY



Mrs. Shilpa Mehta
Chief Executive Officer
Technophilia Solutions

Principal

(ST)



Kopran

KOP/KHP/HR/2021/ 2090

Date: September 6, 2021

TO WHOMSOEVER IT MAY CONCERN

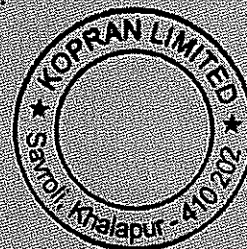
This is to certify that, **Mr. Soham Salunke** the student of Fourth year B. E Electrical from Vishwaniketan's Institute of Management Entrepreneurship & Engineering Technology has undergone industrial training in our company from 6th August 2021 to 6th September 2021.

During the tenure of his training he found sincere & studious.

We wish him all the best in his future endeavors.


For, **KOPRAN LIMITED.,**


Sanjay Zemse
(AGM- HR & IR)



TRUE COPY




Principal
Vishwaniketan's (I MEET)



KOPRAN LTD.: Parijat House, 1076, Dr. E. Moses Road, Worli, Mumbai - 400 018, P.B. 9917 Tel.: (022) 4366 1411
Fax.: (022) 2495 0363, Website: www.kopran.com CIN: L 24230 MH 1958 PLC 011078
Works: Village Savroli, Taluka: Khalapur, District: Raigad - 410 202. Tel.: (02192) 274500 / 335 / 337 Fax: (02192) 274025



Vishwaniketan's
**Institute of Management Entrepreneurship
& Engineering Technology [i MEET]**

Affiliated to University of Mumbai, Approved by AICTE, New Delhi

Survey No. 52, Kumbhivali, Near Khalapur Toll Naka, off. Mumbai-Pune
Expressway, Tal. - Khalapur, Dist. - Raigad. Pin- 410 202 Telephone -02192 -
274206/07/08/10 Fax - 02192- 274210

Academic Year 2020-21

Department of Electrical Engineering

SEM IV

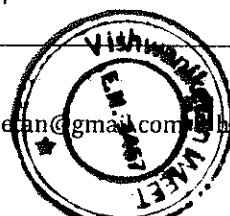
Finalized Mini Project 1B Group Details

Notice No:


Date: 10/02/2021

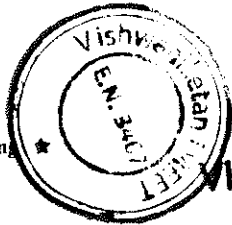
Following are the finalized Mini Project 1 B Groups of SEM IV.

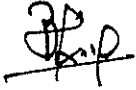
Sr.No.	Mini Project Group Members	Roll numbers of all mini project group members	Mini Project Topic
1	Jagruti Bangal Geeta Mhatre Mayur Mokal Rohit Chaulkar	19 31 34 23	Automatic Power Factor Correction
2	Rugved Adagale Aniruddha Bhosale Rohan Ghodvind Vaibhav Raut	Rugved Adagale-(Roll no-01), Aniruddha Bhosale-(Roll no-02), Rohan Ghodvinde-(Roll no-05), Vaibhav Raut-(Roll no-11)	Tesla Coil
3	Pravin Gopale Pratik Patil Pawan Yede Sufiya Shaikh	06,10,17,43	Automation Of Solar Panel Electric Vehicle
4	Abhishek H. Bhosale Ashish A. Jadhav Yash S. Patil Prem G. Thakare Aditya A. Thakur	22,24,39,46,47	Soft start of single phase induction motor
5	Roshan Nivate 37 Aniket khaire 27 Pratik manchekar 30 Rohan kambale 25	25,27,30,37	Power factor controller
6	Shreyas shinde, Anurag mali, Kaustubh mhatre	44,29,32	Power factor controller
7	Aditya Mishra, Sidheish Borse, Sachin Singh, Dipesh Patil	08, 03, 09, 14	TRACK SURVEYING WITH SENSORS FOR RAILWAY

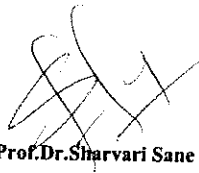


8	Nayan Dalvi Mrunmayee Kulkarni Tejas Sajekar Sarani Singh Suraj Yadav	04,07,12,15,16	Auto intensity control of street lights
9	pravin mhatre rajratna lokhande aditya raut Prathmesh thakare sandeep zore	33,41,42,45,50	Laser security alarm system
10	Vishal patil , roshan nadkar, vaishali kende	38, 35, 26	Low cost fire detection and alarm system using 8051 microcontroller
11	Ajinkya bhagat Sanchit bhoir Kunal jambekr	20,21,28	Rain water automatically trigger circuit
12	Deep Balkawde Rahul pingle Vivek pawar Mayuri waghmare Prathamesh Nagaonkar	18,40,48,49,36	SOLAR PANEL MANUFACTURING WITH PLANT


10/02/2021
Prof. Nikhil N Kasar
Mini Project Coordinator
Dept of Electrical Engineering




Principal
Vishwaniketan's (I M EET)


Prof. Dr. Sharvari Sane
HOD,
Dept of Electrical Engineering

10.02.21

TRUE COPY



VISHWANIKETAN'S Institute of Management Entrepreneurship & Engineering Technology

University of Mumbai
Department of Electrical Engineering
Project II

Sr. No.	Name of Student	Title of Project	Project Guide
1	Dahimbekar Tejal Anil	V Health Plus	Prof. Nikhil Kasar
	Mali Harshali Prabhakar		
	Todankar Vipresh Digambar		
	Bendre Aniket Pratap		
	Ghanvat Amit Maruti		
2	Dhuri Yogita Kamalakar	smart Helmet 1.0	Prof. K. Kannan
	Shirke Kalpesh Ankush		
	Salunkhe Suraj Subhash		
	Sable Omkar Pravin		
3	Ubhare Shreya Sanjay	Design and Analysis of regulated charging system for Electric vehicle	Prof. Mandar Dixit
	Thakur Bhavana Dhanaji		
	Dhapatte Swapnil Chandrasen		
	Parthe Vaibhav Vijay		
4	Toraskar Tejashri Dasharath	modeling and simulation for voltage sags/swells mitigation using dynamic voltage restorer (DVR)	Prof. Ashwini Pawar
	Mhatre Diksha Mahadev		
	Darekar Avinash Subhash		
	Pathare Darshan Suresh		
5	Taru Amey Ravindra	Speed control of 3 phase IM by VFD method	Dr. Sharvari Sane
	Dalvi Sayali Ramesh		
	Tupe Bhagyashree Kashinath		
	Ghorpade Abhijeet Sambhaji		
	Ladge Anuja Dhananjay		




Principal
Vishwaniketan's (I.M.E.E.T.)

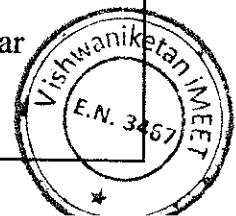


Sr. No.	Name of Student	Title of Project	Project Guide
6	Patil Asmit Kailas	GSM based smart energy meter	Prof. Nikhil Kasar
	Patil Mahendra Chhotulal		
	Patil Siddhesh Kesarinath		
	Tandel Pankaj Dhanaji		
7	Ghume Shreenivas Balaji	EV Charging Station	Prof. Rinky Maity
	Narayankar Rishabh Bhaskar		
	Thale Tejal Vikas		
	Choudhari Sayali Sunil		
8	Gharat Vinaya Sandesh	IOT Controlled Green Energy healthy Roadways	Prof. Nikhil Kasar
	Madan Pallavi Baburao		
	Mhatre Siddhesh Devidas		
	Padalkar Pratik Pandurang		
9	Jadhav Mayur Manoj	IOT BASED HOME AUTOMATION	Dr. Sharvari Sane
	Vaghare Swagat Manohar		
	Wasave Suraj Bhima		
	Chavan Omkar		
	Shelke Ravi Kanu		
10	Bhoir Narayan Pundlik	I FARM	Prof. Mandar Dixit
	Sutar Nikhil Kishor		
	Thakur Akhil Vidyadhar		
	Patil Nayan Gopinath		
11	Patil Harshal Sadanand.	smart solar inverter	Prof. K. Kannan
	Deshmukh Tushar Vijay		
	Bangar Akash Arjun		
	Goyal Pruthvi Shivram		
12	Patil Vishant Devidas	E-Shopping Cart	Prof. Ashwini Pawar
	Vartak Akash Kishor		
	Wadal Paras Dattatreya		
	Kasare Sagar Dilip		
	Dube Rashika Vilas		

TRUE COPY

Principal

Vishwaniketan's (IIMFET)



Sr. No.	Name of Student	Title of Project	Project Guide
13	Salunkhe Tejas Hanumant	Pipe Inspection Crawler	Dr. B.R.Patil
	Patil Ajay Dilip		
	Jadhav Omkar Maruti		
	Pawar Nitish		
	Nhavkar Niranjana Namdev		
14	Gaikwad Vijay Shivaji	Manufacturing And Enhancing the Designed parameters Of Three Phase Distribution Transformer	Prof. Swapna Manurkar
	Rahul Ramesh Thakur		
	Nishant Krishna Mokal		
	Yuvraj Bhalchandra Karde		
15	Dale Rohan Rajesh	Universal Transformer	Prof. Rinky Maity
	Bhagat Anushka Vinod		
	Joshi Shruti Sudhir		
	Sutar Shubham Shashikant		
16	Patil Nihar Sanjay	Auto intensity control of street light using Aurdino	Prof. Mandar Dixit
	Patil Shubham Haribhau		
	Phadke Ameya Anand		
	Mahato Krishna Sanat		
17	Chakraborty Nishant Partha	IoT based Patient/Health monitoring system	Prof. Swapna Manurkar
	Huke Supraj Subodh		
	Thale Shreyas Shrikant		
	Mishra Karunanand		
18	Ovhal Pratik	Design and developement of hybrid charging solution by combining grid and micro grid for PHEVs	Prof. K. Kannan
	Pandit Shreelesh		
	Jadhav Suraj Sunil		
19	Patil Jayesh Sanjay	Railway track security system	Prof. Swapna Manurkar
	Patil Sahil Sopan		
	Landge Shraddha Bhaskar		
	Patil Shraddha Ramesh		

Date:

Name of the College:

TRUE COPY

(Signature of the Principal & College Stamp on each Page)

[Signature]
Principal


Vishwaniketan's (I MEET)



Electronics & Telecommunication
Engineering.

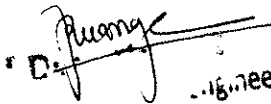
1-3-3

Sr. No.	Name	Class / Branch	Email Id	Contact Number	Industry	Location	Company contact Person	email id of company contact person	contact person from company	Date and Duration
2020-21										
1	Vriksh Panditpautra	BE EXTC	vriksh306@gmail.com	7977517377	Unbox innovations	Mumbai (work from home)	Mr. Parad Botadra	paras.botadra@unboxinnovations.com	918898034045	Since 01/01/2021
2	Rushikesh Kokane	BE EXTC	rushikokane39@gmail.com	9004294376	BSNL	Thane	na	na	na	June 2019 (1 week)
3	Pande Ravikumar	BE EXTC	panderavikumar4@gmail.com	9867504047	Asap Tech Pvt. Ltd.	navi mumbai	shashank roy	na	na	may 2020 - dec 2020
4	Ishika Bhoir	BE EXTC	ishikabhoir28@gmail.com	8149970787	Ifortis Worldwide	Mumbai	Rohit Naidu	na	na	26 May 2021 - 10 July 2021
5	Prathama Deshpande	BE EXTC	pvdeshpande25@gmail.com	8104621446	Ifortis Worldwide	mumbai	Rohit Naidu	na	na	7 June 2021-7july2021
6	Aarva Deshpande	BE EXTC	avdeshpande259@gmail.com	9112251900	Ifortis Worldwide	mumbai	Rohit Naidu	na	na	7 June 2021-7july 2021
7	Ishika Bhoir	BE EXTC	ishikabhoir28@gmail.com	8149970787	Muquestionpapers	Mumbai	Nirav Shah	amit.gupta@muquestionpapers.com	na	16 June 2021- 31 Oct 2021
8	Mruna Gharat	BE EXTC	mrunagharat01@gmail.com	9881770479	IFortis Worldwide	Mumbai	Rohit Naidu	na	na	5 June 2021- 5 July 2021
9	Akanksha Patil	BE EXTC	akankshap0207@gmail.com	7770095876	IFortis Worldwide	Mumbai	Rohit Naidu	na	na	5 June 2021 -5 July 2021
10	Ashwini Shinde	BE EXTC	ashwini482000@gmail.com	8408957099	IFortis Worldwide	Mumbai	Rohit Naidu	na	na	5 June 2021-5 July2021
11	Sakshi Padmakar Dabir	BE EXTC	sakshidabir2000@gmail.com	7620807963	IFortis Worldwide	Mumbai	Rohit Naidu	na	na	5 June 2021-5 July2021
12	Mrugnayani vinod mane	BE EXTC	manemrugnayani53@gmail.com	9892952753	IFORTIS Worldwide	MUMBAI	Rohit naidu	na	na	7 june2021 - 7july2021
13	Shajol V. Shaji	BE EXTC	shajol3012@gmail.com	9657111866	Urban Company	Mumbai	Srikanth Kasper	kaspasrikanth@successstrading.co	NA	15 March 2021 - 10 July 2021
14	VINAY A. WADKAR	BE EXTC	vinaywadkar09@gmail.com	7735216536	Om Sai Cable Net and Services	Navi Mumbai(W.F.H)	Mr. Kumar P	NA	9920484759	3rd may and going
15	Shashank Verma	BE EXTC	verma.shashank000@gmail.com	9421170898	Saaspect	Work from home	Rahu Kinra	NA	NA	5th July - Present
16	Ashish Manoj Koli	BE EXTC	ashum4250@gmail.com	9326423697	Elite Techno Groups	Work From Home	Elite Techno Groups	mail@elitetechno-group.com	NA	18th august - 18 September 2021
17	Nikita Bharat Gharat	TE EXTC	nikitathakur5659@gmail.com	9819429341	Whitehatjr	Work from home	Na	Na	Na	28 june to 1 July


Principal
Vishwaniketan's (I MEET)



TRUE COPY
 Electronic
 V:


Principal
Vishwaniketan's (I MEET)

Report of internship at Unbox Innovations Pvt Ltd

- Vriksh Panditpautra

During Covid I started to explore the industry and looked for major skills that would help me in my career. I did online courses on multiple learning platforms in the web development domain and understood the fundamentals including html, css and javascript.

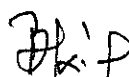
In Dec 2020, I started working as an full stack developer intern at unbox innovations Pvt Ltd. We worked in teams to develop user facing features for multiple clients using React, Redux, Node and many other tools and workflows.

In the initial days I was assigned a mentor who helped me in understanding in working of the company, how projects are planned and executed. I was introduced to their in house project management system and was briefed about the development process.

Throughout my time at unbox, I worked on multiple projects in different domains like marketing, iot, block chain and crypto currency. One of our projects was published on google play store and Apple App Store. I contributed as the lead frontend engineer in the team.

It was a great experience of 11 months and I got introduced to current industrial needs and ways to solve them. I contributed in 6 projects in the course of the internship.

TRUE COPY


Principal
Vishwaniketan's (IMEET)




Head of Department
Electronics & Tele-communication Engineering
Vishwaniketan's IMEET

Dr. B. S. Ramesh Babu
Principal
Vishwaniketan's Institute of Management
Electronics & Tele-communication Engineering
Vishwaniketan's IMEET
Vishwaniketan's IMEET
Vishwaniketan's IMEET



Certificate

For Advance Level Vocational/Industrial Training
with Specialization in Telecom Transmission &
Technologies Satellite Communications and OJT.

This is to certify that Mr. Rashideh Sharmada Aswani has
successfully completed the course of Management
Engineering and Engineering Technology, Bachelor
Leveling Bachelor of Engineering in electronics and
Telecommunications during the one week of advanced training
held at Vishwaniketan's Institute of Management
Electronics and Telecommunication Engineering
Satellite Communication and OJT on site from 17/06/2019 to
24/06/2019 at Vishwaniketan's IMEET.

His performance during his training was Excellent
and he is well equipped for a bright future.

Name: Rashideh Sharmada Aswani
Date: 24/06/2019

Rashideh Sharmada Aswani
Divisional Engineer (Satellite
Communication and OJT)
Vishwaniketan's IMEET
Vishwaniketan's IMEET



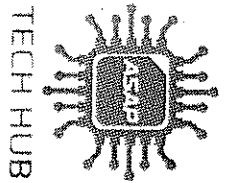
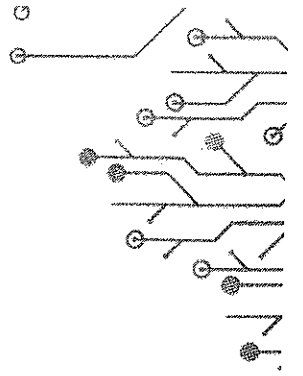
TRUE COPY

(5)

R.P.
Principal
Vishwaniketan's (I MEET)



Ramesh Babu
Head of Department
Electronics & Tele-communication Engineering
Vishwaniketan's IMEET



01/09/2020
 Sadguru Kripa Apartment,
 House No. 003/12, Room No. 202,
 Near NMMC School,
 Sector-20,
 Noida,
 Navi Mumbai - 400706.

Dear RAVI PANDEY,

It is my pleasure to offer you an employee-in-training appointment as a research intern in the Department of Prototype Developing at the ASAP Tech Hub. This appointment will begin on 02/07/2020 with the stipend of Rs. 5,000 per month with travelling allowances. I anticipate that the appointment will continue at least through 02/09/2020, contingent upon your training progress, funding availability, program needs and satisfactory performance.

You will be collaborating with MR. Shashank Roy working on various projects such as Wireless water level and controller, EV Motor Cycle and Swadeshi Microprocessor.

I look forward to working with you. Please do not hesitate to call me or mail me if you have any questions about your appointment.

Sincerely,

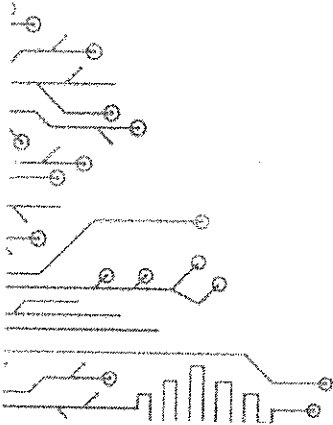
MR. ALOK SINGH,
 Director, ASAP Tech Hub

For ASAP TECH HUB
 Director

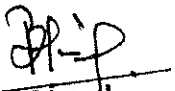
01/09/2020

From: aasap@asap-techhub.com

100, 2nd Floor, Kripa Apartment,
 Sector-20, Noida,
 Navi Mumbai-400706



TRUE COPY


 Principal
 Vishwaniketan's (I MEET)




 Head of Department
 Electronics & Tele-communication Engineer
 Vishwaniketan's I MEET

Ravikumar Pande
EXTC

Internship Company: ASAP TECH HUB
Internship location: Belapur CBD Navi Mumbai
Internship period: Mar 2020 to Dec 2020

Intern role description:

Role was to design an overall procedure to solve a particular task from designing circuits to implementing coding into it to automate the process.

Along with designing circuits on software my role was to see how I can make it less complex and identify components which will lead to good accuracy as well as long life of components.

To automate the overall circuitry one of my roles was to code Arduino and Raspberry pi board to fulfil all the requirements asked by the client.

With this internship I learnt coding of different boards, circuitry and learnt how overall process of a task work into industry and startup.

TRUE COPY



P. Umang
Head of Department
Electronics & Tele-communication Engineering
Vishwaniketan's IMEET

A.P.
Principal
Vishwaniketan's (I MEET)



A subsidiary of American Ruler Private Limited



29993:2017

20th July 2021

TO WHOM IT MAY CONCERN

This is to certify that Prathama Vidyadhar Dashpande bearing code: IW21HRDIAA001604 has successfully completed a internship with IFORTIS WORLDWIDE as a Corporate Ambassador in the Marketing Department from 31/05/2021 to 16/07/2021.

Top Skills Covered:

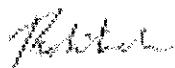
- Sales funnel
- Creation of key visuals & presentations
- Promotion Integrated Marketing Communication
- Comprehensive knowledge
- Segmentation & Targeting
- Networking & Time management
- Consumer Behaviour

Besides showing high comprehension capacity, managing assignments with the utmost expertise and exhibiting maximal efficiency, he/she has also maintained an outstanding professional demeanor and showcased excellent moral character throughout the internship period.

We hereby certify that the candidate's overall work is good to the best of our knowledge.

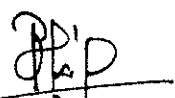
Wishing the candidate all the best for his/her future endeavors.

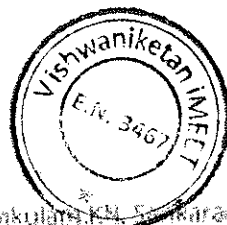
For IFORTIS WORLDWIDE,



 Chief Executive Officer
 AMERICAN RULER PRIVATE LIMITED
 No. 70A, Saravikulara Street, Karankovil TK, Tirunelveli, Tamilnadu
 627004, INDIA
 94434-027104



TRUE COPY


 Principal
 Vishwaniketan's (I MEET)




 Head of Department
 Electronics & Tele-communication Engineering
 Vishwaniketan's iMEET

Registered Office: No.70A, Saravikulara Street, Karankovil TK, Tirunelveli, Tamilnadu - 627754 (INDIA)

CIN: U18109TN2021PTCA43811 | GSTIN: 33AAVCA2781N1Z1

Email: info@ifortisworldwide.com | relations@ifortisworldwide.com



A subsidiary of American Ruler Private Limited



29993:2017

20th July 2021

TO WHOM IT MAY CONCERN

This is to certify that Apurva Vidyadhar Deshpande bearing code: IW21HRD/AA001609 has successfully completed a internship with IFORTIS WORLDWIDE as a Corporate Ambassador in the Marketing Department from 31/06/2021 to 16/07/2021.

Top Skills Covered:


- Sales Funnel
- Creation of key visuals & presentations
- Promotion: Integrated Marketing Communication
- Comprehensive knowledge
- Segmentation & Targeting
- Networking & Time management
- Consumer Behaviour

Besides showing high comprehension capacity, managing assignments with the utmost expertise and exhibiting maximal efficiency, he/she has also maintained an outstanding professional demeanor and showcased excellent moral character throughout the internship period.


We hereby certify that the candidate's overall work is good to the best of our knowledge.

Wishing the candidate all the best for his/her future endeavors.


For IFORTIS WORLDWIDE


Chief Executive Officer
 AMERICAN RULER PRIVATE LIMITED
 No. 704, Kuravikulam K.N. Sarathi Street, IX, Tirunelveli
 Tamil Nadu, India
 INDIA - 627 156

TRUE COPY


Principal
 Vishwaniketan's (I MEET)




Head of Department
 Electronics & Telecommunication Engineering
 Vishwaniketan's iMEET

Registered Office: No. 704, Kuravikulam K.N. Sarathi Street, IX, Tirunelveli
 CIN: U18105TN021PTC143811 | GSTIN: 33AAMCA2781N127
 Email: info@fortisworldwide.com | relations@fortisworldwide.com



Corporate Office No. 2 (1st) Besant Nagar, Bangalore, India - 560075
 Contact: info@ifortiscorporate.com | www.ifortiscorporate.com

TRAINEESHIP OFFER LETTER

5th Jun 2021

Dear Akanksha Hemant Patil,

With reference to your application and subsequent discussions, we have pleasure in offering you traineeship in our organization as Ambassador

During this training probation period you are required to undertake all duties and activities as assigned to **Ishika Ravindra Bhoir** to whom you will be reporting

You'll be representing our organization and functioning based on our requirements. You'll be provided with number of opportunities to exhibit your leadership and managerial skills. At the end of the term, based on your performance you'll receive a certificate describing your achievements and active participation.

During the period of traineeship, you may have access to trade secrets and confidential business information belonging to the Company. By accepting this offer, you acknowledge that you must keep all of this information strictly confidential, and refrain from using it for your own purposes or from disclosing it to anyone outside the Company.

In addition, you agree that, upon conclusion of your internship, you will immediately return to the Company all of its property, equipment, and documents, including electronically stored information. Your appointment will be governed by the terms and conditions presented in the Agreement.

Best Regards,

Corporate-HR,
 info@ifortiscorporate.com

TRUE COPY

Principal
 Vishwaniketan's (I MEET)



Head of Department
 Electronics & Tele-communication Engineering
 Vishwaniketan's IMEET



A subsidiary of American Ruler Private Limited

29993:2017

20th July 2021

TO WHOM IT MAY CONCERN

This is to certify that **Mrunal Sandeep Gharat**, bearing code: **IW21HRD/AA001812** has successfully completed a internship with **IFORTIS WORLDWIDE** as a **Corporate Ambassador** in the Marketing Department from **31/05/2021** to **16/07/2021**.

Top Skills Covered:

- Sales funnel
- Creation of key visuals & presentations
- Promotion: Integrated Marketing Communication
- Comprehensive knowledge
- Segmentation & Targeting
- Networking & Time management
- Consumer Behaviour

Besides showing high comprehension capacity, managing assignments with the utmost expertise and exhibiting maximal efficiency, he/she has also maintained an outstanding professional demeanor and showcased excellent moral character throughout the internship period.

We hereby certify that the candidate's overall work is **good** to the best of our knowledge.

Wishing the candidate all the best for his/her future endeavors.

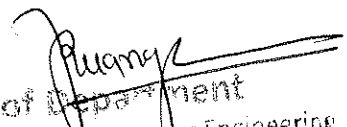
For IFORTIS WORLDWIDE,


Chief Executive Officer
 AMERICAN RULER PRIVATE LIMITED
 No.704, Kuruvikulam KN, Sankarankovil,
 Tirunelveli, Tamilnadu,
 INDIA - 627 754.

TRUE COPY


Principal
Vishwaniketan's (I MEET)




Head of Department
Electronics & Tele-communication Engineering
vishwaniketan's I MEET

Registered Office: No.704, Kuruvikulam KN, Sankarankovil TK, Tirunelveli, Tamilnadu, INDIA - 627 754

CIN: U18109TN2021PTC143811 | GSTIN: 33AAVCA2781N1Z1

Email: info@ifortisworldwide.com | relations@ifortisworldwide.com

20th July 2021

TO WHOM IT MAY CONCERN

This is to certify that **Akanksha Hemant Patil** bearing code: **IW21HRD/AA001690** has successfully completed a internship with **IFORTIS WORLDWIDE** as a **Corporate Ambassador** in the Marketing Department from **31/05/2021** to **16/07/2021**.

Top Skills Covered:

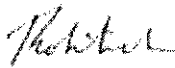
- Sales funnel
- Creation of key visuals & presentations
- Promotion: Integrated Marketing Communication
- Comprehensive knowledge
- Segmentation & Targeting
- Networking & Time management
- Consumer Behaviour

Besides showing high comprehension capacity, managing assignments with the utmost expertise and exhibiting maximal efficiency, he/she has also maintained an outstanding professional demeanor and showcased excellent moral character throughout the internship period.

We hereby certify that the candidate's overall work is **good** to the best of our knowledge.

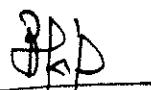
Wishing the candidate all the best for his/her future endeavors.

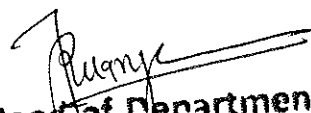
For **IFORTIS WORLDWIDE**,


Chief Executive Officer
AMERICAN RULER PRIVATE LIMITED
No 704, Kuruvikulam KN, Sankarankovil,
Tirunelveli, Tamilnadu,
INDIA - 627 754

TRUE COPY




Principal
Vishwaniketan's (I MEET)


Head of Department
Electronics & Tele-communication Engineering
Vishwaniketan's IMEET

Registered Office: No.704, Kuruvikulam KN, Sankarankovil TK, Tirunelveli, Tamilnadu - 627754 (INDIA)

CIN: U18109TN2021PTC143811 | **GSTIN:** 33AAVCA2781N1Z1

Email: info@ifortisworldwide.com | relations@ifortisworldwide.com

20th July 2021

TO WHOM IT MAY CONCERN

This is to certify that **Ashwini Deepak Shinde** bearing code: **IW21HRD/AA001616** has successfully completed a internship with **IFORTIS WORLDWIDE** as a **Corporate Ambassador** in the Marketing Department from **31/05/2021** to **16/07/2021**.

Top Skills Covered:

- Sales funnel
- Creation of key visuals & presentations
- Promotion: Integrated Marketing Communication
- Comprehensive knowledge
- Segmentation & Targeting
- Networking & Time management
- Consumer Behaviour

Besides showing high comprehension capacity, managing assignments with the utmost expertise and exhibiting maximal efficiency, he/she has also maintained an outstanding professional demeanor and showcased excellent moral character throughout the internship period.

We hereby certify that the candidate's overall work is **good** to the best of our knowledge.

Wishing the candidate all the best for his/her future endeavors.

For **IFORTIS WORLDWIDE**,



Chief Executive Officer

AMERICAN RULER PRIVATE LIMITED
No.704, Kuruvikulam KN, Sankarankovil,
Tirunelveli, Tamilnadu,
INDIA - 627 754.

TRUE COPY



Principal

Vishwaniketan's (I MEET)



Head of Department
Electronics & Tele-communication Engineering
Vishwaniketan's I MEET

Registered Office: No.704, Kuruvikulam KN, Sankarankovil TK, Tirunelveli, Tamilnadu - 627754 (INDIA)

CIN: U18109TN2021PTC143811 | **GSTIN:** 33AAVCA2781N1Z1

Email: info@ifortisworldwide.com | relations@ifortisworldwide.com

PS/INDIA

12



A subsidiary of American Ruler Private Limited

29993:2017

20th July 2021

TO WHOM IT MAY CONCERN

This is to certify that **DABIR SAKSHI PADMAKAR** bearing code: **IW21HRD/AA001700** has successfully completed a internship with **IFORTIS WORLDWIDE** as a **Corporate Ambassador** in the Marketing Department from **31/05/2021** to **16/07/2021**.

Top Skills Covered:

- Sales funnel
- Creation of key visuals & presentations
- Promotion: Integrated Marketing Communication
- Comprehensive knowledge
- Segmentation & Targeting
- Networking & Time management
- Consumer Behaviour

Besides showing high comprehension capacity, managing assignments with the utmost expertise and exhibiting maximal efficiency, he/she has also maintained an outstanding professional demeanor and showcased excellent moral character throughout the internship period.

We hereby certify that the candidate's overall work is **good** to the best of our knowledge.

Wishing the candidate all the best for his/her future endeavors.

For **IFORTIS WORLDWIDE**,

Chief Executive Officer

AMERICAN RULER PRIVATE LIMITED
No.704, Kuruvikulam KN, Sankarankovil,
Tirunelveli, Tamilnadu,
INDIA - 627 754.

TRUE COPY

Principal
Vishwaniketan's (I MEET)



Head of Department
Electronics & Tele-communication Engineering
Vishwaniketan's I MEET

Registered Office: No.704, Kuruvikulam KN, Sankarankovil TK, Tirunelveli, Tamilnadu, INDIA - 627 754

CIN: U18109TN2021PTC143811 | GSTIN: 33AAVCA2781N1Z1

Email: info@ifortisworldwide.com | relations@ifortisworldwide.com



Internship Agreement

Shajol V. Shaji

TRUE COPY

Principal

Vishwaniketan's (I MEET)

UrbanClap Technologies India Pvt. Ltd



Head of Department

**Electronics & Telecommunication Engineering
Vishwaniketan's iMEET**

Corporate Office
Plot No 416, Udyog Vihar Phase III
Sector 20 Gurugram 122016

Regional Office
R-5, Plot 4036, Green Park, Mayapuri
New Delhi 110016

INTERNSHIP AGREEMENT

This Internship Agreement ("Agreement") is executed on 13-Sep-21 between:

UrbanClap Technologies India Private Limited, a company incorporated under the Companies Act, 2013, having its corporate office at 5th Floor, Sewa Tower, Plot No.19, Udyog Vihar – IV, Gurgaon - 122005 ("Urban Company" or "Company") (which expression shall unless repugnant to the context or meaning thereof, include its successors and permitted assigns) of the **FIRST PART**;

AND

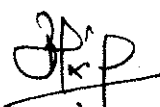
Shajol V. Shaji (hereinafter referred to as "Intern"), which expression shall, unless repugnant to the context or meaning thereof, be deemed to include his/ her successors, legal heirs and permitted assigns) of the **SECOND PART**.

WHEREAS:

The Company wishes to hire the Intern for an internship with the Company for the duration of the Term (*as defined below*), and the Intern is desirous of interning with the Company, upon the terms and conditions hereinafter set forth.

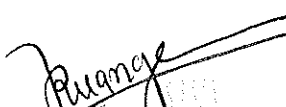
NOW, THEREFORE, in consideration of the premises and other good and valuable consideration, receipt of which is hereby acknowledged, the Parties hereto agree as follows:

1. The Intern's internship with the Company will begin on 13-Sep-21 and end on 12-Dec-21, unless terminated earlier in accordance with this Agreement ("Term"). The Term of this internship may further be extended for such period and on such terms as the Parties may mutually decide. The internship shall come to an end upon the expiry of the Term and/or the renewal period thereof.
2. The Intern agrees to perform any and all work, tasks, assignments, deliverables, etc. allotted to the Intern with utmost sincerity, integrity and to the best of his/ her ability.
3. The Company shall pay the Intern a symbolic stipend of 10,000/ per month. Since the primary purpose of this internship is to provide the Intern with an educational experience, the Intern agrees that the stipend being paid by the Company is symbolic in nature and is a token of the Company's goodwill.


Principal
Vishwaniketan's (I MEET)

TRUE COPY




Head of Department
Electronics & Telecommunication Engineering
Vishwaniketan's I MEET

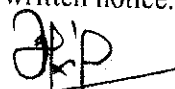
4. During the Term, the Intern shall not engage in any other internship or act in any way, which conflicts with the Intern's duties and obligations towards Urban Company.
5. The Intern agrees that Urban Company shall not be held responsible for the Intern's absenteeism at his or her college/academic institution during or after the internship.
6. The Intern shall disclose to the Company on the Execution Date, or upon discovery, whichever is earlier, all material and relevant information, which may either affect the Intern's internship with Urban Company currently or in the future or may be in conflict with the terms of the Intern's internship with Urban Company, either directly or indirectly. If at any time during the Term, Urban Company becomes aware that the Intern has suppressed any material or relevant information required to be disclosed by the Intern, then Urban Company reserves the right to forthwith terminate the Agreement without any notice and without any obligation or liability to pay the stipend to the Intern irrespective of the duration that the Intern may have been hired for as an Intern by Urban Company.
7. The Intern agrees to conform to and comply with Urban Company policies and such other directions and orders as may from time to time be given by Urban Company.
8. Matters such as the Intern's working hours, leave entitlements etc. shall be governed by the Company policies in force from time to time and as applicable to the Intern.
9. **Confidentiality:** The Intern understands and acknowledges that the Company has disclosed or may disclose confidential information relating to, but not limited to, the business operations of the Company, during the course of the Intern's internship with the Company. The Intern agrees to maintain the confidence of such confidential information and shall be bound by the Non-Disclosure Agreement executed on an even date by and between the Company and the Intern.
10. **Intellectual Property:** During the internship, the Intern may develop concepts or materials which give rise to intellectual property rights.

The Intern agrees:

- a. that the Company will own all of these intellectual property rights;
- b. where applicable, the Intern shall assign to the Company any of these intellectual property rights (including any future rights) on a worldwide basis;
- c. to irrevocably waive any moral rights that the Intern may hold in any materials concepts or ideas the Intern creates during his or her internship with the Company; and
- d. to execute any further appropriate documents, instruments or undertakings that are required by the Company (or any Urban Company Group member, if required) to give effect to these obligations.

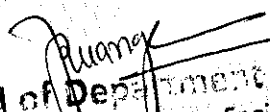
11. Either party may terminate the Agreement by providing after providing the other with 3 (three) business days' prior written notice:

TRUE COI


Principal
UrbanClap Technologies India Pvt. Ltd
Vishwaniketan's (I MEET)
Corporate Office
Plot No 416, Udyog Vihar Phase III,
Sector 20 Gurugram 122016



Registered Office
R-5, PNB HOC, Sector 17, Connaught Place,
New Delhi 110016


Head of Department
Electronics & Tele-communication Engineering
Vishwaniketan's I MEET

Notwithstanding anything aforesaid, termination by the Intern shall be subject to the satisfactory completion of all the Intern's existing duties, obligations and projects as well as proper handover and assistance to the Intern's supervisor.

At the time of termination of the internship, if there are any dues due to the Company from the Intern, the same may be adjusted by the Company against any money due to the Intern from Urban Company on account of stipend, or any other such payments.

Additionally, the Company shall have the right to terminate the Agreement with immediate effect in the event the Intern is accused of committing fraud, misconduct, wilful negligence, breaching the non disclosure agreement entered into between the Company and the Intern or violating any company policy that may be applicable to the Intern.

12. Protection and Proper use of Company Assets: The Intern must strive to preserve and protect Company's assets and resources and to ensure their efficient use. In addition, the Intern shall not engage in personal activities during work hours that interfere with or prevent the Intern from fulfilling his or her job responsibilities.

a. **Personal Use of Corporate Assets:** The Intern shall use Company's property for legitimate business purposes to further the Company's business interests. The Intern shall not use or take Company's equipment, computers, telephones, supplies or services, except in the normal course of the internship, without the approval of the Intern's supervisor.

b. **Use of Company Computers, Software and Email:** Company's computer resources, which include the electronic mail system, belong to Company. The Intern shall use the Email and the internet only in situations related to the Intern's work assignments. The Intern should not use these resources for amusement, solicitation, or other non-business purposes.

13. Costs: All out of pocket expenses incurred by the Intern shall be reimbursed to the Intern by the Company provided the Intern obtains the prior written consent of the Company to expressly incur such cost, and furnishes adequate proof of such cost incurred.

14. Monitoring and surveillance of Urban Company systems: All Urban Company systems and equipment are monitored for purposes including detection and prevention of fraudulent activities. The Intern's communications and access to official assets/ equipment are not private and monitoring may take place for work-related, security or other investigatory purposes. For security purposes, the Company may monitor such emails or such telephone conversations as it may consider appropriate and may access recorded information in the case of a security or other investigation. The Intern is aware that any private discussions made on these lines may be intercepted and the Intern's personal privacy is not guaranteed.

15. Severability: If any part of this Agreement is found to be illegal or unenforceable by any court of law or any competent governmental or other authority, the remaining parts of the Agreement will be severable and enforceable in accordance with their terms, so long as they do not fail the

TRUE COPY

UrbanClap Technologies India Pvt. Ltd

Corporate Office

Plot No 41

Sector 20 Gurugram 122016

Principal
Vishwaniketan's (I MEET)

Registered Office

R-5, PNR House

New Delhi 110016



Head of Department
Electronics & Telecommunication Engineering
Vishwaniketan's IMEET

essential purpose. The Parties agree to negotiate in good faith to replace any such illegal or unenforceable part with suitable substitute provisions which will maintain as far as possible the purposes and the effect of this Agreement.

16. **Miscellaneous:** Nothing in this Agreement shall be construed to create a partnership, employer-employee or an independent contractor relationship between the Company and the Intern. Further, the Intern does not have the authority to bind Company in any manner whatsoever.

17. Nothing in this Internship Agreement shall be construed to mean or represent an offer of employment with the Company or a commitment to offer employment to the Intern by the Company.

18. **Governing Law:** The Parties agree that the interpretation and enforcement of this Agreement shall be governed by the laws of India and the courts of Delhi shall have an exclusive jurisdiction to try the matters arising out of this Agreement.

This is to certify that I have read this Agreement and understood all the terms and conditions mentioned therein and I hereby accept and agree to abide by them:



(Sign)

Name: Shajol V. Shaji

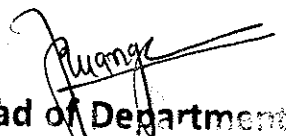
Date: 13-09-2021



Principal
Vishwaniketan's (I MEET)



TRUE COPY



Head of Department
Electronics & Tele-communication Engineering
Vishwaniketan's iMEET

Non-Disclosure Agreement

UrbanClap Technologies India Private Limited

THIS AGREEMENT is made on	13-Sep-21
----------------------------------	-----------

This Agreement ("NDA") is made and entered into on 13-Sep-21 ("Effective Date"), by and between **UrbanClap Technologies India Private Limited**, a company incorporated under the Companies Act, 2013, having its corporate office at 5th Floor, Sewa Tower, Plot No.19, Udyog Vihar – IV, Gurgaon – 122005 ("**Disclosing Party**") and Shajol V. Shaji ("**Receiving Party**").

The Disclosing Party and the Receiving Party, together shall be referred to as "**Parties**" and individually as "**Party**".

RECITALS

WHEREAS The Receiving Party understands and acknowledges that the Disclosing Party has disclosed or may disclose information relating to but not limited to the business operations of the Company during the course of the Receiving Party's internship at UrbanClap Technologies India Private Limited.

WHEREAS, the Parties wish to protect the confidential Information which may be disclosed by the Disclosing Party.

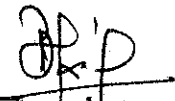
OPERATIVE PROVISIONS

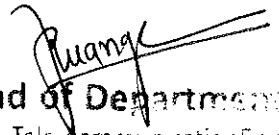
1. Definition of Confidential Information

(a) For purposes of this NDA, "**Confidential Information**" means any data or information that is proprietary to the Disclosing Party and not generally known to the public, whether in tangible or intangible form, whenever and however disclosed, including, but not limited to:

i. Any marketing strategies, plans, financial information, or projections, operations, sales estimates, business plans and performance results relating to the past, present or future business activities of the Disclosing Party, its affiliates, subsidiaries and/or affiliated companies;

TRUE COPY





Head of Department
Electronics & Tele-communication Engineering
Vishwaniketan's iMEET

UrbanClap Technologies India Pvt. Ltd
Principal

Corporate Office: **Vishwaniketan's (iMEET)** Registered Office: 5, PNR House, Connaught Place, New Delhi 11006.
Plot No 419, Udyog Vihar Phase - IV, Sector 20 Gurugram 122016

ii. Plans for products or services, and customer or supplier lists;

iii. Any scientific or technical information, invention, design, process, procedure, formula, improvement, technology or method, processes, business results, products, patent applications, and other proprietary information;

iv. Any concepts, reports, data, know-how, works-in-progress, designs, development tools, specifications, computer software, source code, object code, flow charts, databases, information and trade secrets, specifications, drawings, sketches, models, samples, tools, business or technical information, or any other such related information; and

v. Any other information that should reasonably be recognized as Confidential Information of the Disclosing Party. Confidential Information need not be novel, unique, patentable, copyrightable or constitute a trade secret in order to be designated Confidential Information.

The Receiving Party acknowledges that the Confidential Information is proprietary to the Disclosing Party, has been developed and obtained through great efforts by the Disclosing Party and that Disclosing Party regards all of its Confidential Information as trade secrets.

(b) Confidential Information shall not include information which:

i. was in the Receiving Party's lawful possession prior to the disclosure, as clearly and convincingly corroborated by written records, and had not been obtained by the Legal Advisor either directly or indirectly from Urban Company;

ii. Becomes rightfully known to the Receiving Party from a third-party source not known (after diligent inquiry) to be under an obligation by the Receiving Party to Disclosing Party to maintain confidentiality;

iii. Is or becomes publicly available through no fault of or failure to act by the Receiving Party in breach of this NDA;

iv. Is required to be disclosed in a judicial or administrative proceeding, or is otherwise requested or required to be disclosed by law or regulation, although the requirements of Clause 4 (below) hereof shall apply prior to any disclosure being made; and

v. Is or has been independently developed by the Receiving Party without violation of the terms of this NDA or reference or access to any Confidential Information.

3. Use of Confidential Information

The Receiving Party agrees to use the Confidential Information solely in connection with the current or contemplated business relationship between the Parties and not for any purpose other than as authorized by this NDA without the prior written consent of an authorized representative of the

UrbanClap Technologies India Pvt. Ltd

Principal

Vishwaniketan's iMEET

Corporate Office
Plot No 470, Gurgaon Vihar Phase 3
Sector 20 Gurgaon 122016

Registered in
R.S. Pathways, Gurgaon
New Delhi 110016



Head of Department
Electronics & Tele-communication Engineer
Vishwaniketan's iMEET

TRUE COPY

Disclosing Party. No other right or license, whether expressed or implied, in the Confidential Information is granted to the Receiving Party hereunder. Title to the Confidential Information will remain solely in the Disclosing Party. All use of Confidential Information by the Receiving Party shall be for the benefit of the Disclosing Party and any modifications and improvements thereof by the Receiving Party shall be the sole property of the Disclosing Party.

4. Compelled Disclosure of Confidential Information

With due regard to the above, the Receiving Party may however still disclose Confidential Information pursuant to any governmental, judicial, or administrative order, subpoena, discovery request, regulatory request or similar method. This would however be subject to the provision that the Receiving Party promptly notifies the Disclosing Party in writing of such demand for disclosure so that the Disclosing Party, at its sole expense, but with the assistance of the Receiving Party, may seek to make such disclosure subject to a protective order or other appropriate remedy to preserve the confidentiality of the Confidential Information.

The Receiving Party agrees that it shall not oppose and shall cooperate with efforts by the Disclosing Party with respect to any such request for a protective order or other relief.

If the Disclosing Party is unable to obtain or does not seek a protective order and the Receiving Party is legally requested or required to disclose such Confidential Information, disclosure of such Confidential Information may be made without liability.

5. Term: The duration of this agreement shall be co-terminous with the Internship Agreement executed by and between the Receiving Party and the Disclosing Party on even date. The Receiving Parties' obligation to hold in confidence the Confidential Information that was disclosed during the term shall remain in effect indefinitely.

6. Remedies

Both Parties acknowledge that the Confidential Information to be disclosed hereunder is of a unique and valuable character, and that the unauthorized dissemination of the Confidential Information would destroy or diminish the value of such information. Therefore, both Parties hereby agree that the Disclosing Party shall be entitled to injunctive relief preventing the dissemination of any Confidential Information in violation of the terms hereof. Such injunctive relief shall be in addition to any other remedies available hereunder, whether at law or in equity. Further, in the event of a lawsuit relating to this NDA, the prevailing Party shall be entitled to recover its reasonable attorney's fees and expenses as well.

7. Return of Confidential Information

The Receiving Party shall immediately return and redeliver to the Disclosing party, all tangible material embodying the Confidential Information provided hereunder and all notes, summaries, memoranda, drawings, manuals, records, excerpts and/or derivative information deriving therefrom, and all other documents or materials etc. ("Notes") (and all copies of any of the foregoing, including "copies" that have been converted to computerized media in the form of image, data or word

TRUE COPY

UrbanClap Technologies India Pvt. Ltd

Principal

Corporate **Vishwaniketan's (I MEET)**

Plot No 41a, Daryog Vihar Phase 1

Sector 20 Gurugram 122015

Registered Office

R-5, PNR House Green Park Market

New Delhi 110016



Head of Department

Electronics & Telecommunication Engg

Vishwaniketan's MEET

processing files either manually or by image capture) based on or including any Confidential Information, in whatever form of storage or retrieval.

The same will be effective on:

i. The termination of this NDA; or

ii. At such time as the Disclosing Party may so request. In such a case, the Receiving Party, with the written consent of the Disclosing Party may immediately destroy any of the foregoing embodying Confidential Information and, upon request, certify in writing of such destruction.

8. Notice of Breach

The Receiving Party shall notify the Disclosing Party immediately upon discovery of any unauthorized use or disclosure of Confidential Information by the Receiving Party, or any other breach of this NDA by the Receiving Party, and will cooperate with efforts by the Disclosing Party to help the Disclosing Party regain possession of Confidential Information and prevent its further unauthorized use.

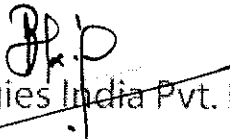
9. Miscellaneous

(a) This NDA constitutes the entire understanding between the Parties and supersedes any and all prior or contemporaneous understandings and agreements, whether oral or written, between the Parties, with respect to the subject matter hereof. This NDA can only be modified by a written amendment signed by the Company.

(b) The validity, construction and performance of this NDA shall be governed and construed in accordance with the laws of the Union of India as applicable to contracts made and to be wholly performed within such state, without giving effect to any conflict of laws provisions thereof. The courts located in the state of Delhi shall have sole and exclusive jurisdiction over any disputes arising under the terms of this NDA.

(c) Although the restrictions contained in this NDA are considered by the Parties to be reasonable for the purpose of protecting the Confidential Information, if any such restriction is found by a court of competent jurisdiction to be unenforceable, such provision will be modified, rewritten or interpreted to include as much of its nature and scope as will render it enforceable. If it cannot be so modified, rewritten or interpreted to be enforceable in any respect, it will not be given effect, and the remainder of the NDA will be enforced as if such provision was not included.

(d) Any notices or communications required or permitted to be given hereunder may be delivered by hand, deposited with a nationally recognized overnight carrier, electronic-mail, or mailed by certified mail, return receipt requested, postage prepaid, in each case, to the address of the other party first indicated above (or such other addresses as may be furnished by a party in accordance with this paragraph).



UrbanClap Technologies India Pvt. Ltd

Corporate Office: **Principal**
Plot No. **Vishwaniketan's (I MEET)**
Sector 20 Gurugram 122016

Registered Office:
R-5, PNR House Green Park Market
New Delhi 110016



TRUE COPY


Head of Department
Electronics & Telecommunication Engineer
Vishwaniketan's MEET



(e) The Disclosing Party may directly or indirectly assign or transfer its obligations and rights under this NDA by operation of law or otherwise without the prior written consent of the Receiving Party. The Receiving Party however shall not have the right to directly or indirectly assign or transfer its obligations and rights under this NDA without the prior written consent of the Disclosing Party. All obligations

contained in this NDA shall extend to and be binding upon the Parties to this NDA and their respective successors, assigns and designees.

(h) Paragraph headings used in this NDA are for reference only and shall not be used or relied upon in the interpretation of this NDA.

(Signature page follows)

IN WITNESS WHEREOF, the parties hereto have executed this NDA as of the date first above written

[Disclosing Party]	[Receiving Party]
Sign: <i>Neha Mathur</i>	Sign: <i>Shajol V. Shaji</i>
Name: Neha Mathur	Shajol V. Shaji
Title: Senior Vice President – People Success	Title: Intern

TRUE COPY

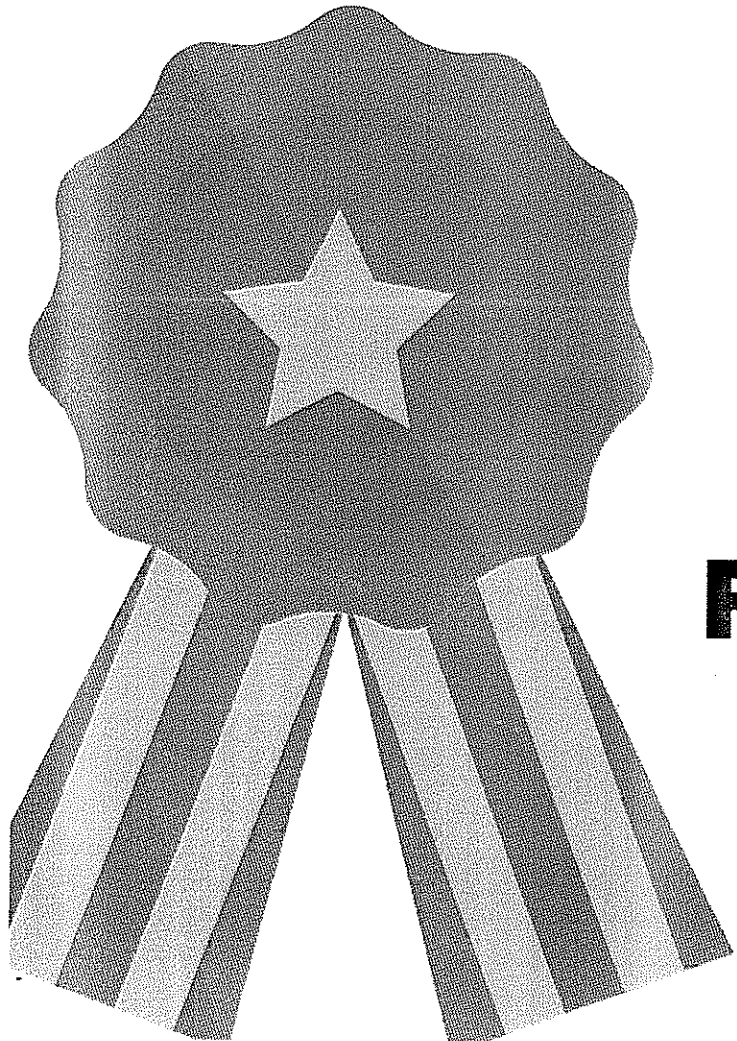
[Signature]

UrbanClap Technologies India Pvt. Ltd
Principal
Vishwaniketan's (I MEET)
Corporate Office: Vishwaniketan's (I MEET)
Plot No 4 B, Udyog Vihar Phase 1,
Sector 20 Gurugram 122016
New Delhi



[Signature]
Head of Department
Electronics & Tele-communication Engineering
Vishwaniketan's iMEET

SOCIAL MEDIA MARKETING INTERNSHIP



EnR Consultancy Services

TRUE COPY

Head of Department
Electronics & Tele-communication Engineering
Vishwaniketan's iMEET

Shajol V. Shaji



has successfully completed

Facebook Marketing

[Signature]
Principal
Vishwaniketan's (iMEET)

60

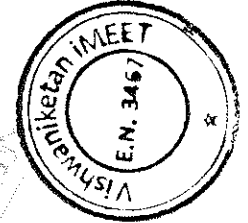


EnR Consultancy Services



TRUE COPY

[Signature]
Head of Department
Electronics & Tele-communication Engineering
Vishwaniketan's IMEET



[Signature]
Principal
Vishwaniketan's (I MEET)



OM SAI CABLE NET SERVICES

1471, SHARDHA SMRUTI
DINKAR VILLAGE, NE. FISH MARKET,
SECTOR-14, C.D.D. DELAPUR,
NAVI MUMBAI, 400614.

☎ 9136547901 / 9920624334
8879214980

✉ E-mail Id: info@osgroup.co.in
osgroup.co.in

SUB: INTERNSHIP COMPLETION LETTER

We are glad to inform you that Mr. Vinay A. Wadkar from Vishwaniketan Institute of Technology, Khalapur, has successfully completed his internship at Om Sai Cable Net and Services from 28th December, 2020 -23rd March, 2021.

During his internship, he was exposed to the various activities in Operations and Services.

We found him extremely inquisitive and hard working. He was very much interested to learn the functions of our core division and also willing to put his best efforts and get in to the depth of the subject to understand it better.

His association with us was very fruitful and we wish him all the best in his future endeavors.

For Om Sai Cable Net and Services

Authorized Signatory

TRUE COPY

Principal
Vishwaniketan's (I MEET)



Head of Department
Electronics & Tele-communication Engineering
Vishwaniketan's IMEET

INTERNSHIP REPORT

OM SAI CABLE NET AND SERVICES is an internet service provider located in CBD Belapur, sector-14. It is an accredited firm providing broadband facilities both personal and business customers all over Navi Mumbai. Having their packages starting from low range, they try to provide ISP services to all the people. The company also gives an opportunity to an individual to start their own broadband company after associating with them. The company is known to provide direct services to one's through optical fiber, giving faster and best quality experience to their users.

I joined the company in the Operation's department and worked for about 3 months, where I got the exposure to work that goes behind having the access to the internet we get on our own devices. I did the work that happens in real time. I've worked closely with the organization and their protocols followed.

My duties as the intern was :

- To attend customer queries and solve the problems and to go onsite for securing the connection.
- To have the wire spliced and planting it all the way to the required customer's place.
- Working on the company's portal for renewing and checking on to the packages respectively.
- Taking daily follow ups regarding the new connections.
- To bring in new patrons.

Challenges faced during internship :

- Consistent fiber breakage occurred due to stretching of the fiber caused by various reasons.
- Converting an inquiry to a regular patron.
- Loosening of patchcord from the attached port.

My Achievements :

- During my internship I was fruitful in a way of bringing leads.
- Placing 12 confirmed connections.
- Managing the inventory effectively.
- Solving every customer's issues in time effectively.

Principal
Vishwaniketan's (I)MEET



TRUE COPY

Head of Department
Electronics & Tele-communication Engineering
Vishwaniketan's (I)MEET

04th Sept, 2021

HR/Exp/Sept/2021

TO WHOMSOEVER IT MAY CONCERN

This is to certify that Mr. Shashank R Verma, Employee code SPCT52000127 has successfully completed his internship from **July 01st, 2021 to August 31st, 2021** as a DevOps Engineer Intern and was actively & diligently involved in the projects and tasks assigned to him.

During the span, we found him punctual and hardworking person. His learning powers are good and he picks up swiftly. His feedback and evaluation proved that he learned keenly.

We wish him every success in his life and future endeavors.

For Saaspect Private Limited

Rahul Kinner

Authorized Signatory

[Signature]
Principal
Vishwaniketan's (I MEET)



TRUE COPY

[Signature]
Head of Department
Electronics & Tele-communication Engineering
Vishwaniketan's iMEET



Internship offer letter

25-05-2021
NIKTA GHAROT

Email ID- niktathava@55@gmail.com
Contact Number - +91 98214211141

Dear NIKTA,

I am delighted & excited to welcome you to Whitehat Education Technology Private Limited (Whitehat Jr) as an Intern - Full Stack in the User Engagement department. At Whitehat Jr, we believe that our team is our biggest strength and we take pride in hiring ONLY the best and the brightest. We are confident that you would play a significant role in the overall success of Whitehat Jr, and wish you the most enjoyable, learning packed and truly meaningful internship experience with Whitehat Jr.

Your Internship will be governed by the terms and conditions presented in the document.

We look forward to you joining us. Please do not hesitate to call us for any information you may need. Also, please sign the duplicate of this internship letter as your acceptance and forward the same to us.

Congratulations!

For Whitehat Education Technology Pvt. Ltd.,

Name: Swan Bajaj
Designation: Founder & CEO
Date: 25-05-2021

TRUE COPY

Principal


Head of Department
Electronics & Telecommunication Engineering
Vishwaniketan's IMEET

First year Engineering
⇒ 1.3.3

IndiaFIRST® ROBOTICS

IndiaFIRST®
ROBOTICS

This is to certify that

Chaudhari Ayush Sunil

has successfully completed an exciting and innovation STEM Education program on

AI and ML

with Grade

A

and has been awarded *Jr. Robotics Engineer*


We wish him/her a successful career in
Science, Technology, Engineering & Mathematics in future.

Date *24.07.2021*

Location *Online Digital Platform*

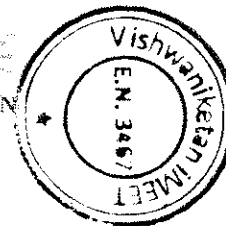
Certificate No. *20210157*

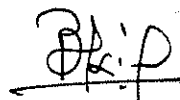
TRUE COPY

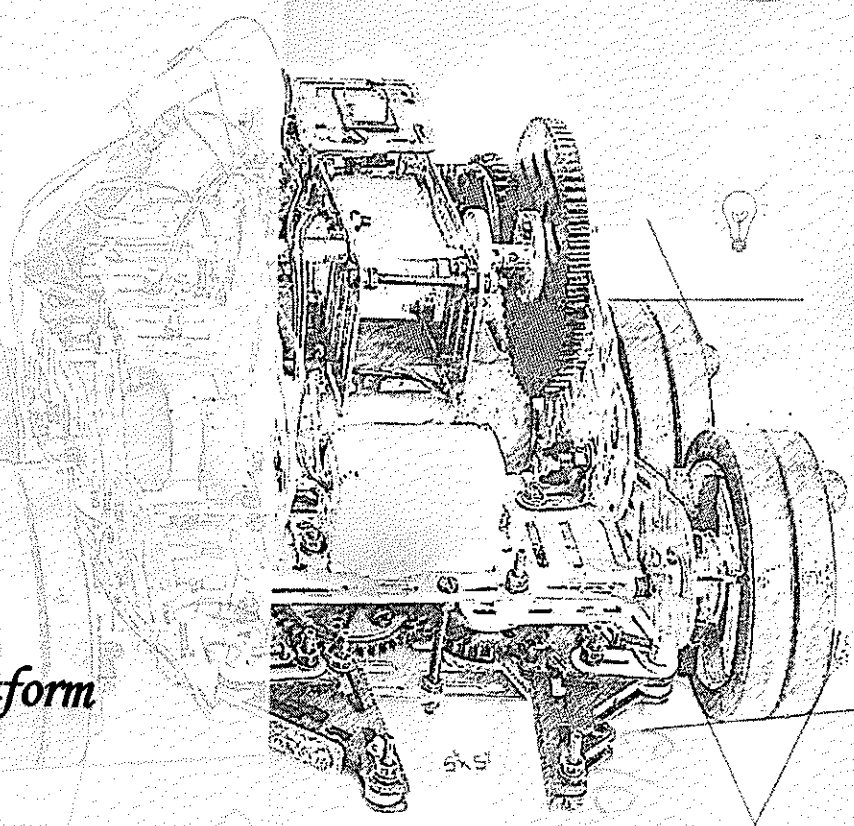

Vinay Kunwar
Founder-Director
IndiaFIRST® Robotics,
Pune


IndiaFIRST®
ROBOTICS


VISHWANIKETAN




Principal
Vishwaniketan's (I MEET)



IndiaFIRST® ROBOTICS

IndiaFIRST®
ROBOTICS

This is to certify that

Dubal Omkar Baburao

has successfully completed an exciting and innovation STEM Education program on

AI and ML

with Grade *A*

and has been awarded *Jr. Robotics Engineer*

We wish him/her a successful career in
Science, Technology, Engineering & Mathematics in future.

Date *24.07.2021*

Location *Online Digital Platform*

Certificate No. *20210163*

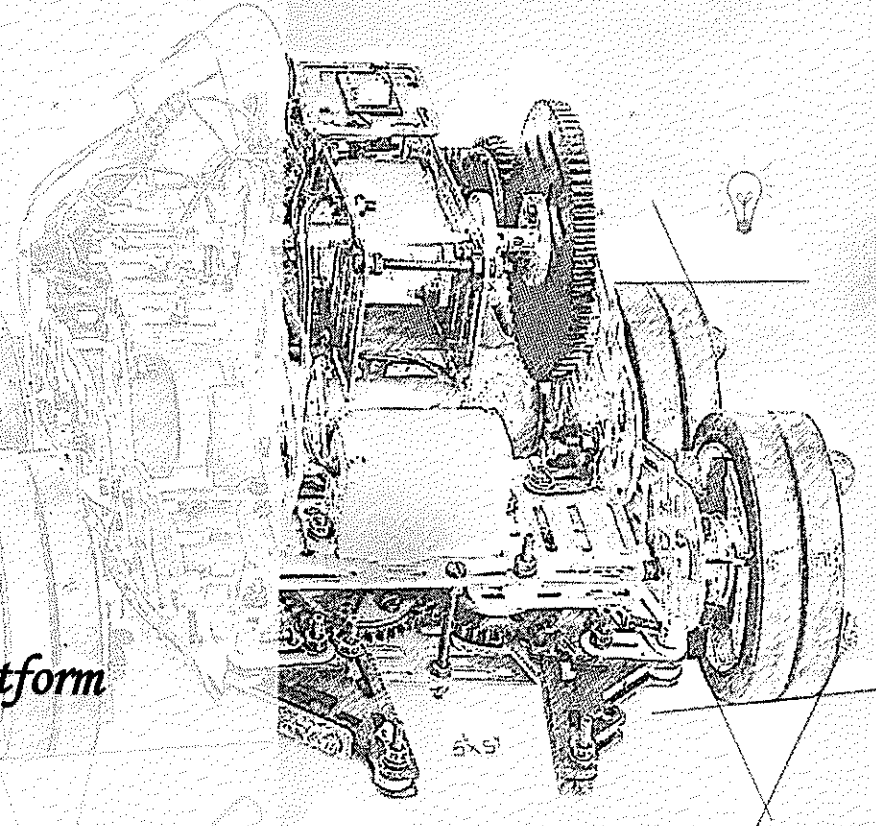
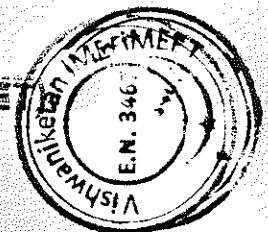
Vinay Kunwar
Vinay Kunwar
Founder-Director
IndiaFIRST® Robotics,
Pune

IndiaFIRST®
ROBOTICS

VISHWANIKETAN

TRUE COPY

J.P.P.
Principal
Vishwaniketan's (I MEM)



IndiaFIRST® ROBOTICS

IndiaFIRST®
ROBOTICS



This is to certify that

Dudam Tanvi Suresh

has successfully completed an exciting and innovation STEM Education program on

AI and ML

with Grade

A

and has been awarded *Jr. Robotics Engineer*

We wish him/her a successful career in
Science, Technology, Engineering & Mathematics in future.

Date *24.07.2021*



Location *Online Digital Platform*

Certificate No. *20210164*

Vinay Kumar
Vinay Kunwar
Founder-Director
IndiaFIRST® Robotics,
Pune

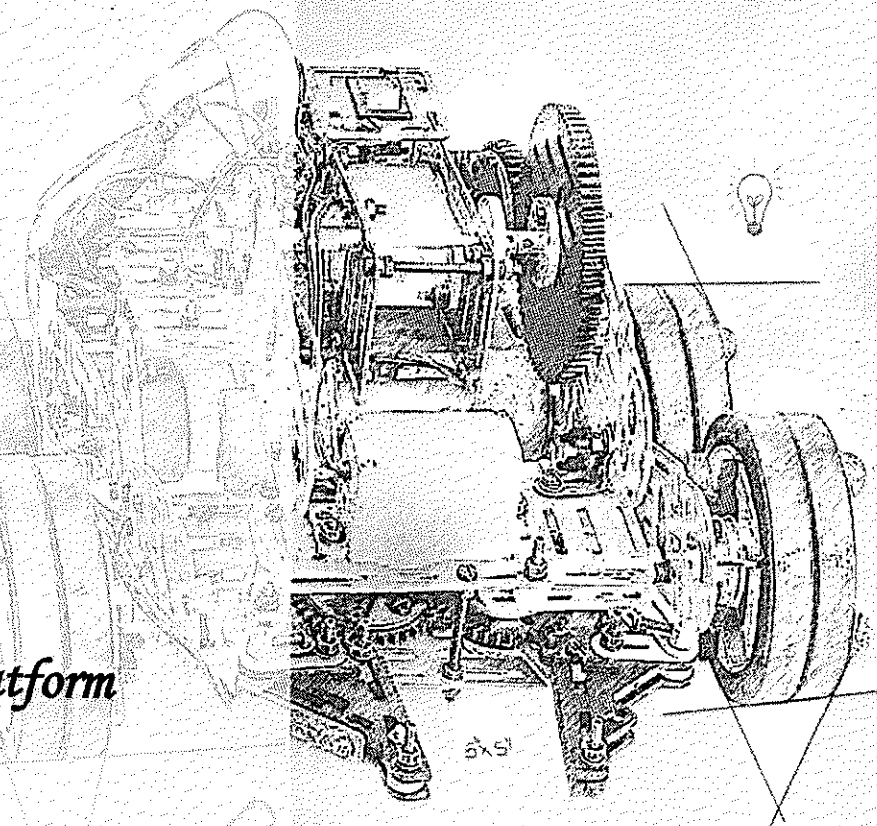
IndiaFIRST®
ROBOTICS



VISHWANIKETAN

TRUE COPY

J.P.
Principal
Vishwaniketan's (I MEET)



IndiaFIRST® ROBOTICS

IndiaFIRST®
ROBOTICS

This is to certify that

Shinde Sanket Dipak

has successfully completed an exciting and innovation STEM Education program on

AI and ML

with Grade

A

and has been awarded *Jr. Robotics Engineer*

We wish him/her a successful career in
Science, Technology, Engineering & Mathematics in future.

📅 Date *24.07.2021*

📍 Location *Online Digital Platform*

Certificate No. *20210186*

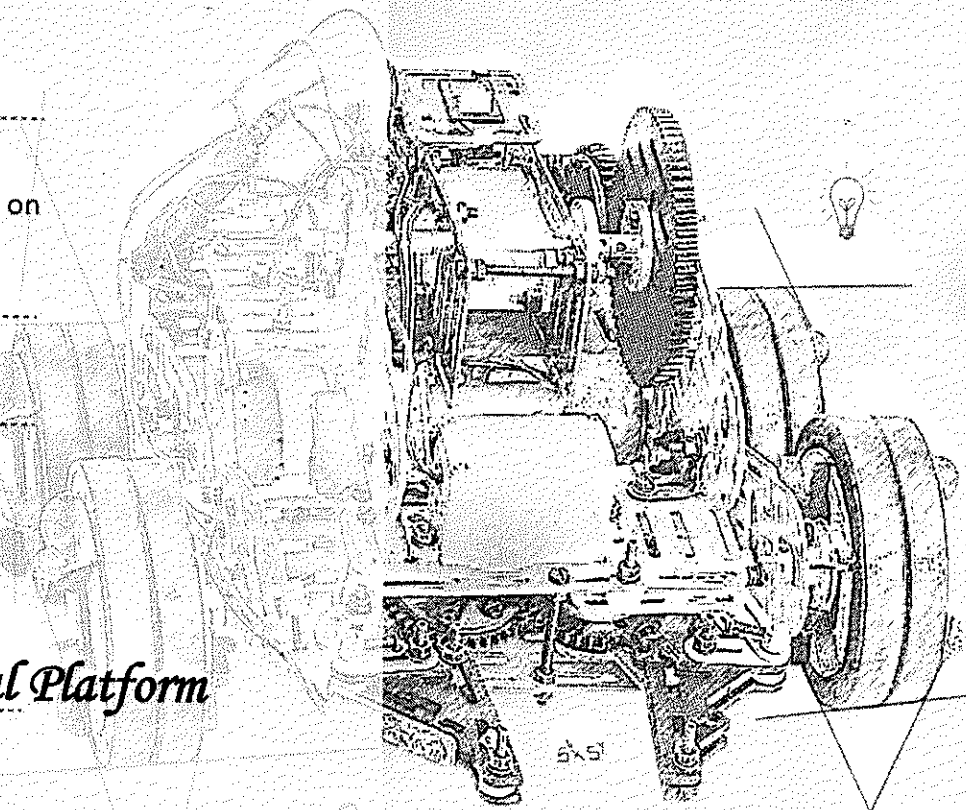
Vinay Kunwar
Vinay Kunwar
Founder-Director
IndiaFIRST® Robotics,
Pune


IndiaFIRST®
ROBOTICS

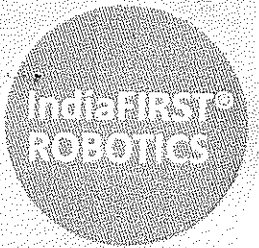

VISHWANIKETAN

TRUE COPY

Princip
Principal
Vishwaniketan's (I MEET)



IndiaFIRST® ROBOTICS



This is to certify that
Sharma Rohit Ravi

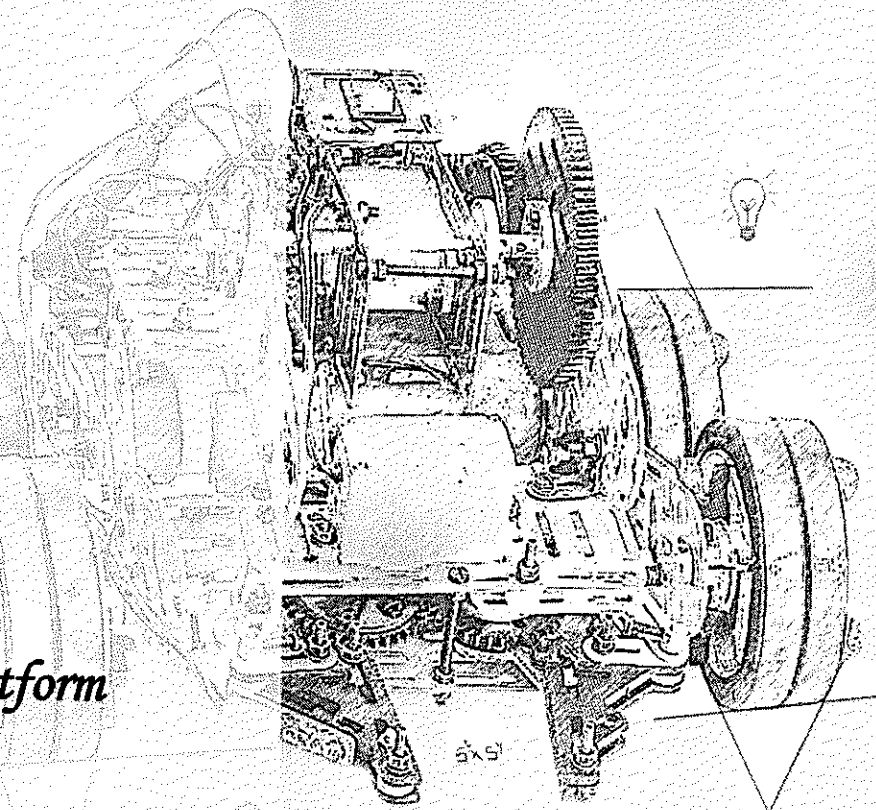
has successfully completed an exciting and innovation STEM Education program on
AI and ML with Grade **A**

and has been awarded **Jr. Robotics Engineer**

We wish him/her a successful career in
Science, Technology, Engineering & Mathematics in future.

Date **24.07.2021** Location **Online Digital Platform**

Certificate No. **20210184**



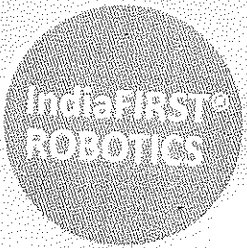
Vinay Kunwar
Vinay Kunwar
Founder-Director
IndiaFIRST® Robotics,
Pune



H.P.
Principal
Vishwaniketan's (I MEET)



IndiaFIRST® ROBOTICS



This is to certify that

Shelke Sneha Mahendra

has successfully completed an exciting and innovation STEM Education program on

AI and ML

with Grade *A*

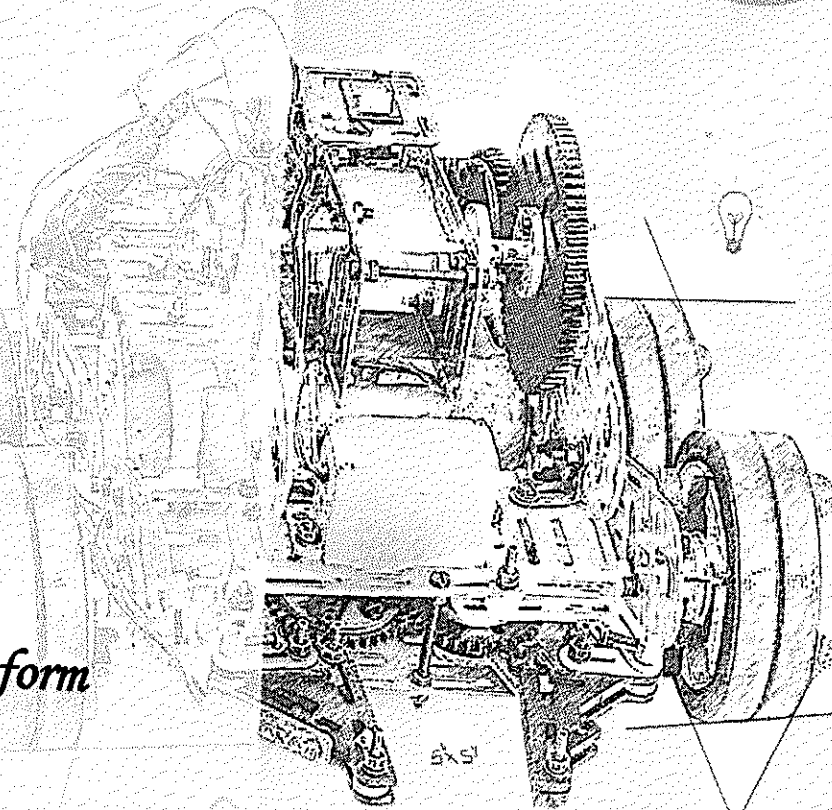
and has been awarded *Jr. Robotics Engineer*

We wish him/her a successful career in
Science, Technology, Engineering & Mathematics in future.

Date *24.07.2022*

Location *Online Digital Platform*

Certificate No. *20210185*



Vinay Kunwar
Vinay Kunwar
Founder-Director
IndiaFIRST® Robotics,
Pune



TRUE COPY

J.P.
Principal
Vishwaniketan's (I MEET)



IndiaFIRST® ROBOTICS

IndiaFIRST®
ROBOTICS

This is to certify that

Patil Anushka Anant

has successfully completed an exciting and innovation STEM Education program on

AI and ML

with Grade

A

and has been awarded *Jr. Robotics Engineer*

We wish him/her a successful career in
Science, Technology, Engineering & Mathematics in future.

📅 Date *24.07.2021*

📍 Location *Online Digital Platform*

Certificate No. *20210140*



Vinay Kunwar
Founder-Director
IndiaFIRST® Robotics,
Pune



IndiaFIRST®
ROBOTICS

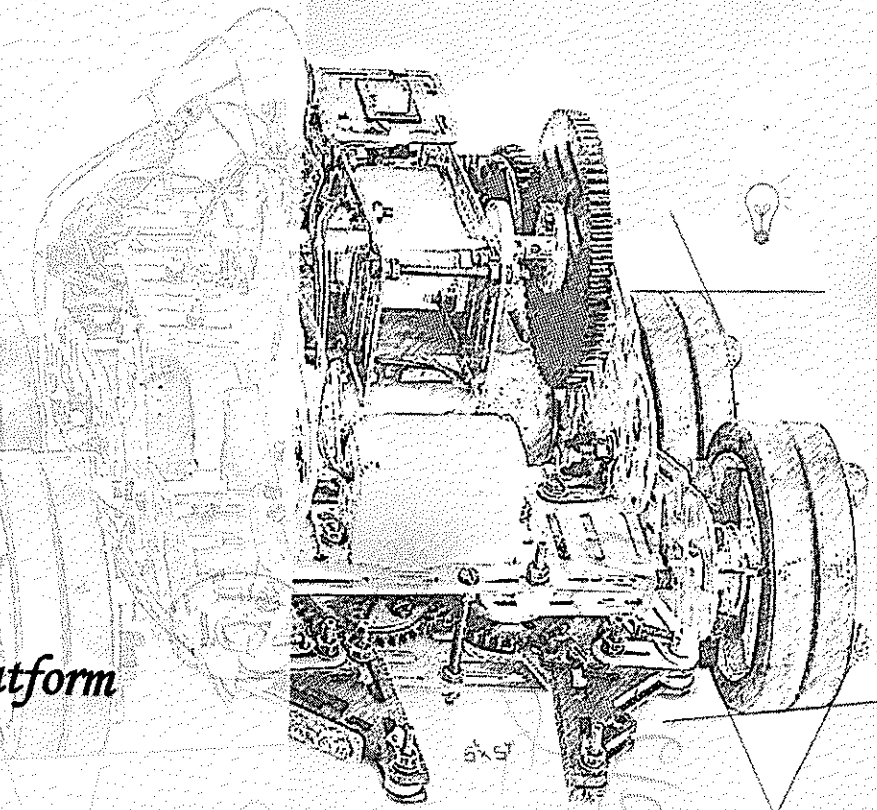


VISHWANIKETAN

TRUE COPY



Principal
Vishwaniketan's



IndiaFIRST® ROBOTICS

IndiaFIRST®
ROBOTICS

This is to certify that

Mokal Shubham Nandkishor

has successfully completed an exciting and innovation STEM Education program on

AI and ML

with Grade

A

and has been awarded *Jr. Robotics Engineer*

We wish him/her a successful career in
Science, Technology, Engineering & Mathematics in future.

Date *24.07.2021*

Location *Online Digital Platform*

Certificate No. *20210174*



Vinay Kunwar
Founder-Director
IndiaFIRST® Robotics,
Pune



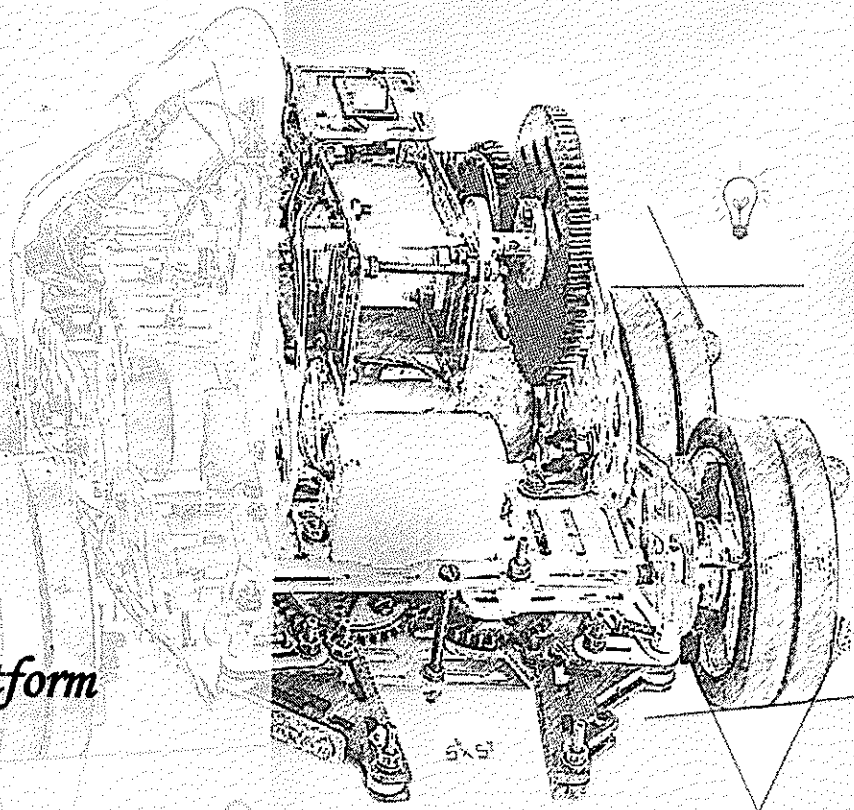
IndiaFIRST®
ROBOTICS



VISHWANIKETAN

TRUE COPY

J.K.P
Principal
Vishwaniketan's (I MEET)



IndiaFIRST® ROBOTICS

IndiaFIRST®
ROBOTICS



This is to certify that

Valsetwar Rohit Raju

has successfully completed an exciting and innovation STEM Education program on

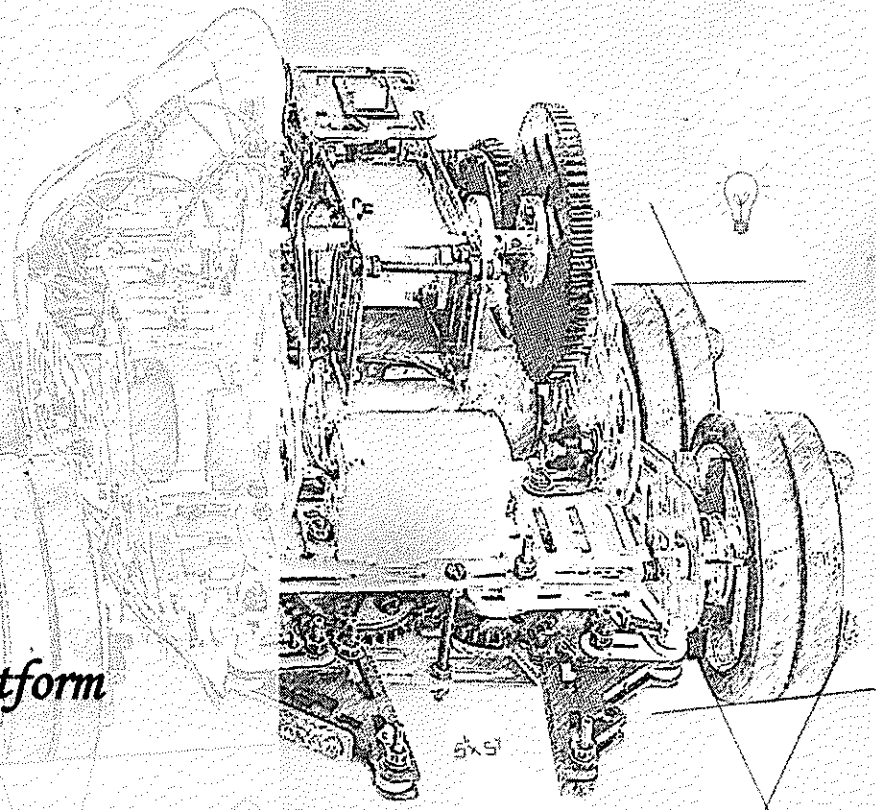
AI and ML with Grade *A*

and has been awarded *Jr. Robotics Engineer*

We wish him/her a successful career in
Science, Technology, Engineering & Mathematics in future.

Date *24.07.2021* Location *Online Digital Platform*

Certificate No. *20210152*



Vinay Kunwar
Vinay Kunwar
Founder-Director
IndiaFIRST® Robotics,
Pune



TRUE COPY

J.P.
Principal
Vishwaniketan's (I MEET)



IndiaFIRST® ROBOTICS

IndiaFIRST®
ROBOTICS



This is to certify that

Baikar Rohit Gopal

has successfully completed an exciting and innovation STEM Education program on

AI and ML

with Grade

A

and has been awarded *Jr. Robotics Engineer*

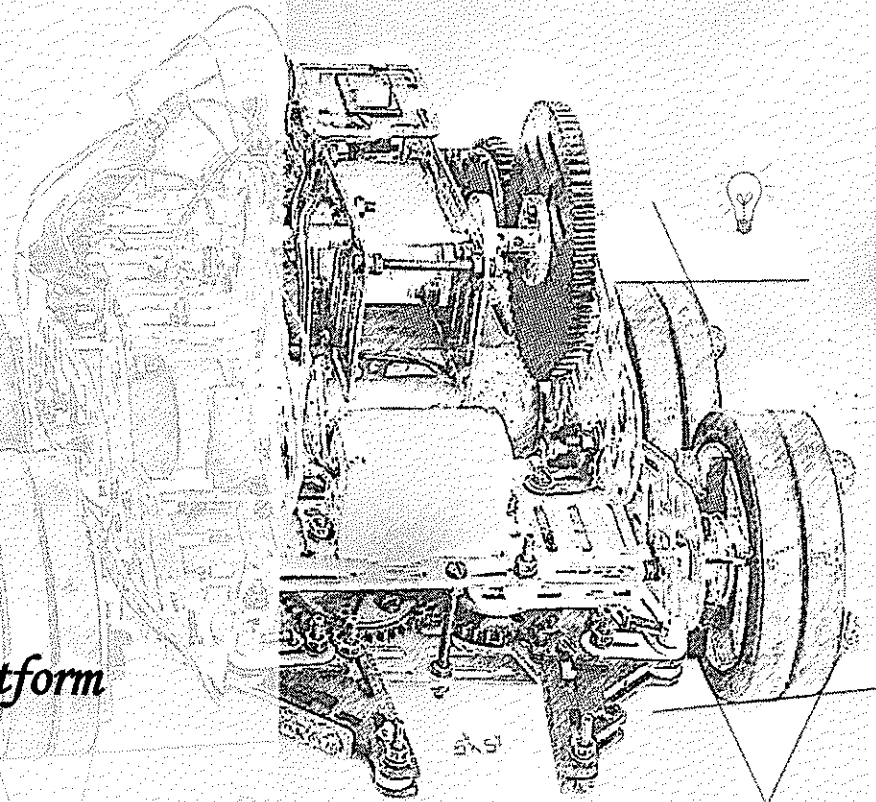
We wish him/her a successful career in
Science, Technology, Engineering & Mathematics in future.

Date *24.07.2021*



Location *Online Digital Platform*

Certificate No. *20210155*



Vinay Kunwar
Vinay Kunwar
Founder-Director
IndiaFIRST® Robotics,
Pune



TRUE COPY

J.P.
Principal
Vishwaniketan's (I MED)



IndiaFIRST® ROBOTICS

IndiaFIRST®
ROBOTICS



3x51

This is to certify that

Asabe Aditya Navanath

has successfully completed an exciting and innovation STEM Education program on

AI and ML

with Grade *A*

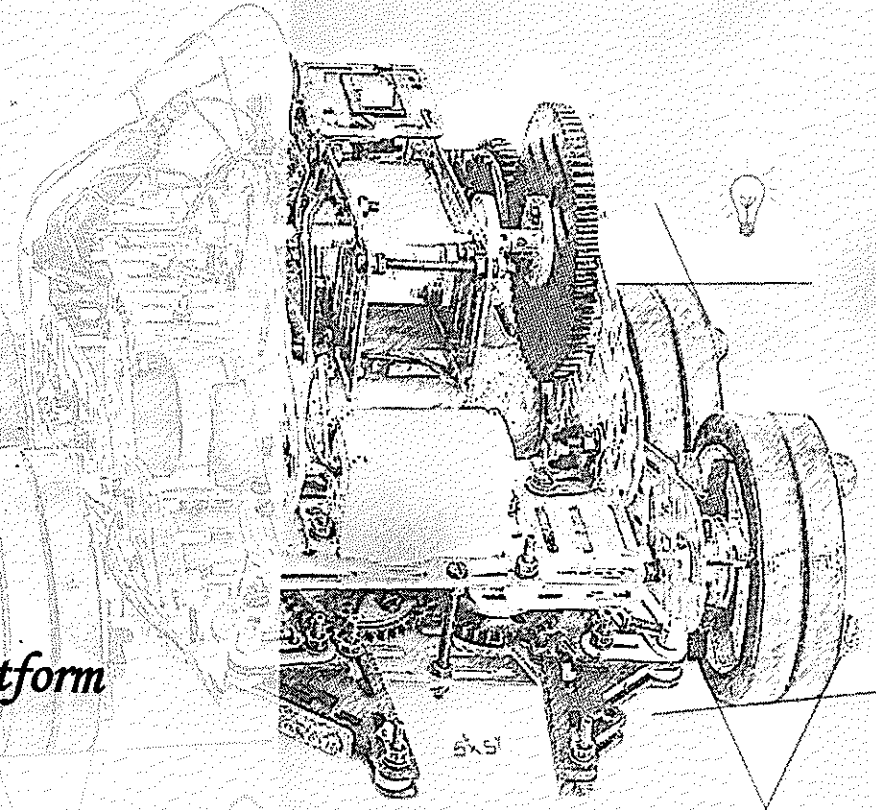
and has been awarded *Jr. Robotics Engineer*

We wish him/her a successful career in
Science, Technology, Engineering & Mathematics in future.

📅 Date *24.07.2021*

📍 Location *Online Digital Platform*

Certificate No. *20210154*



Vinay Kunwar
Vinay Kunwar
Founder-Director
IndiaFIRST® Robotics,
Pune



TRUE COPY



J.P.D.
Principal
Vishwaniketan's (I MEET)

IndiaFIRST® ROBOTICS

IndiaFIRST®
ROBOTICS



5x5

This is to certify that

Chavan Yashraj Prabhakar

has successfully completed an exciting and innovation STEM Education program on

AI and ML

with Grade

A

and has been awarded *Jr. Robotics Engineer*

We wish him/her a successful career in
Science, Technology, Engineering & Mathematics in future.

Date *24.07.2021*



Location

Online Digital Platform

Certificate No. *20210159*

Vinay Kunwar
Founder-Director
IndiaFIRST® Robotics,
Pune



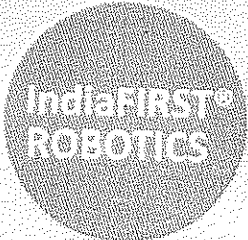
VISHWANIKETAN

TRUE COPY



Principal
Vishwaniketan's (I MEET)

IndiaFIRST® ROBOTICS



This is to certify that

Gangadri T

has successfully completed an exciting and innovation STEM Education program on

AI and ML

with Grade *A*

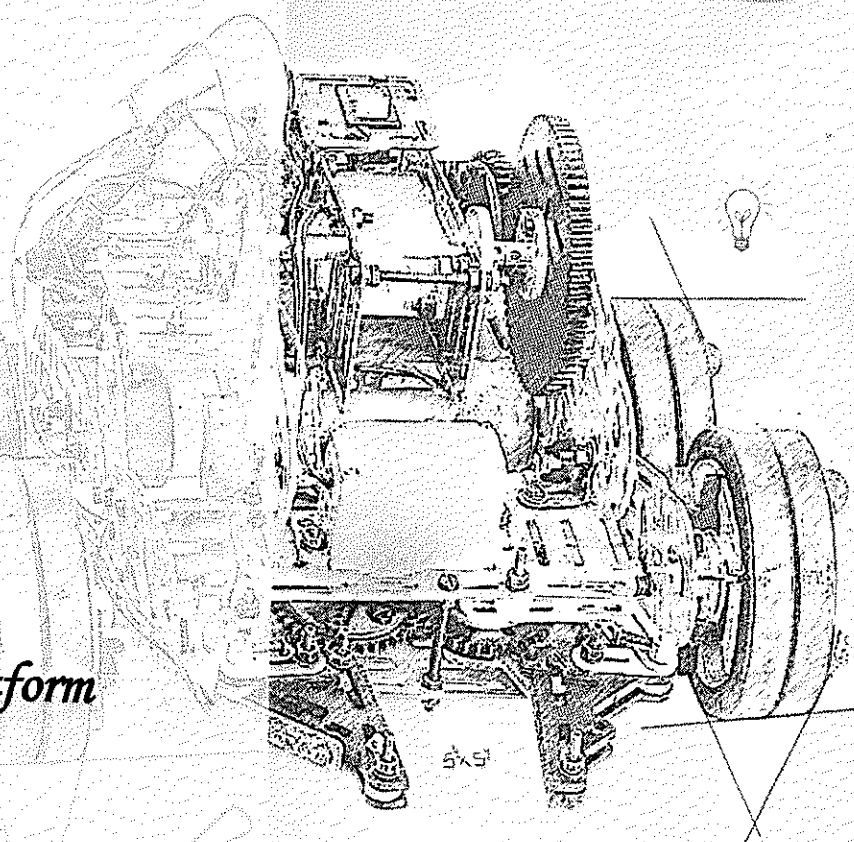
and has been awarded *Jr. Robotics Engineer*

We wish him/her a successful career in
Science, Technology, Engineering & Mathematics in future.

Date *24.07.2021*

Location *Online Digital Platform*

Certificate No. *20210196*

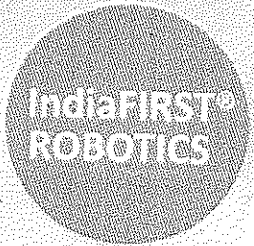


Vinay Kunwar
Vinay Kunwar
Founder-Director
IndiaFIRST® Robotics,
Pune



P.K.P
Principal
Vishwaniketan's (I MEET)

IndiaFIRST® ROBOTICS



This is to certify that

Bombe Kunal Dilip

has successfully completed an exciting and innovation STEM Education program on

AI and ML

with Grade *A*


and has been awarded *Jr. Robotics Engineer*

We wish him/her a successful career in
Science, Technology, Engineering & Mathematics in future.

Date *24.07.2021*

Location *Online Digital Platform*

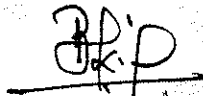
Certificate No. *20210197*

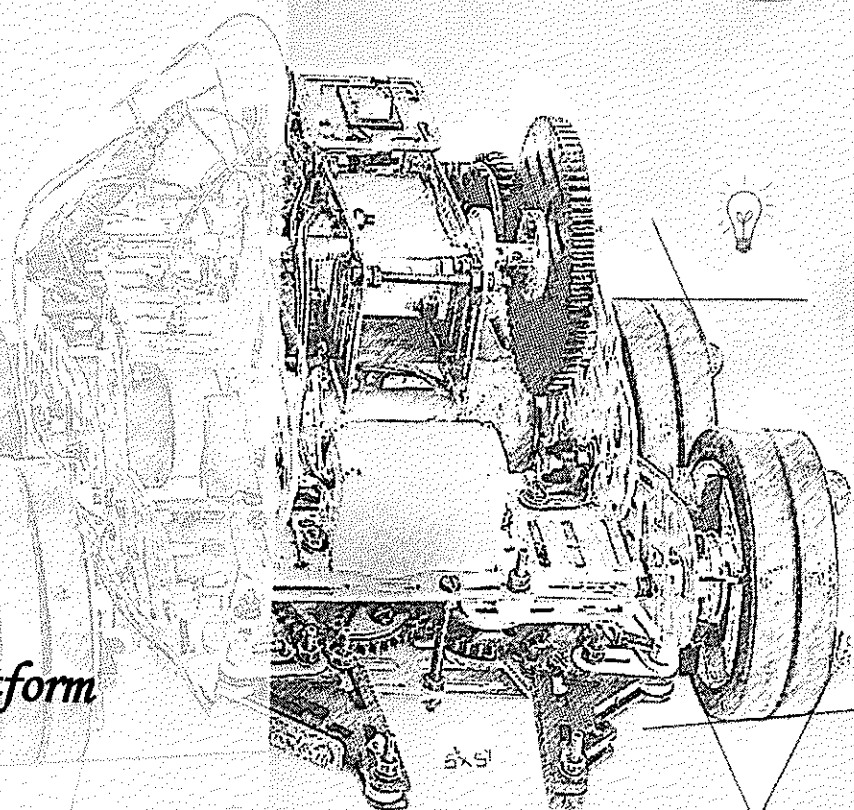

Vinay Kunwar
Founder-Director
IndiaFIRST® Robotics,
Pune



TRUE COPY




Principal
Vishwaniketan's (I MEET)



IndiaFIRST® ROBOTICS

IndiaFIRST®
ROBOTICS



This is to certify that

Bhoir Vicky Satish

has successfully completed an exciting and innovation STEM Education program on


AI and ML

with Grade

A

and has been awarded *Jr. Robotics Engineer*

We wish him/her a successful career in
Science, Technology, Engineering & Mathematics in future.

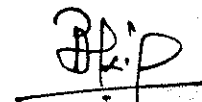
 Date *24.07.2021*



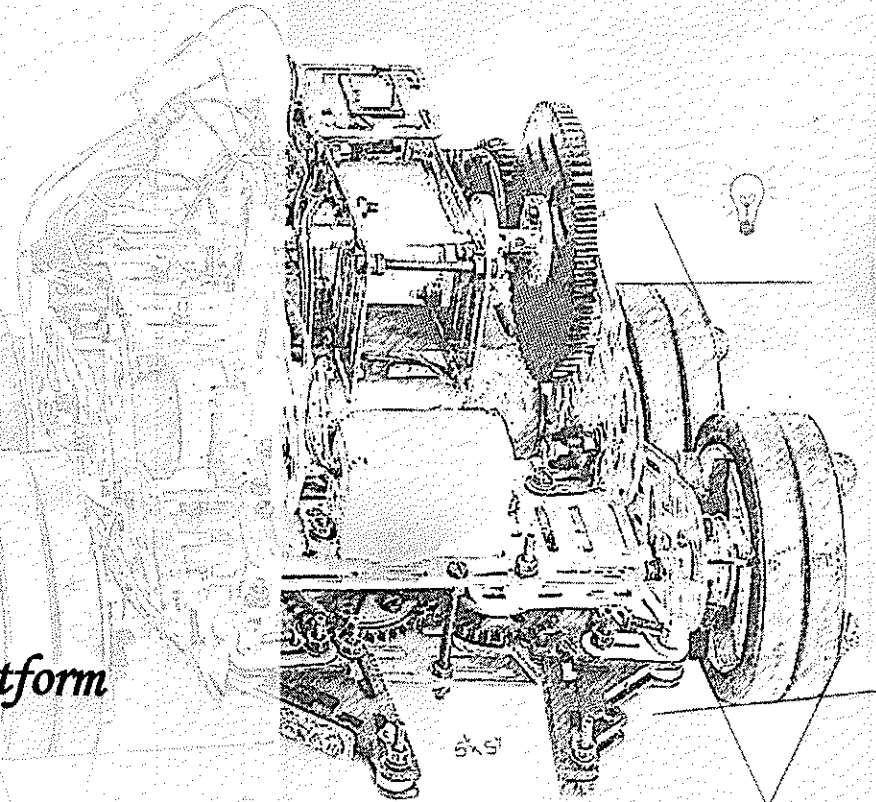
Location *Online Digital Platform*

Certificate No. *20210198*

Vinay Kunwar
Founder-Director
IndiaFIRST®Robotics,
Pune



Principal
Vishwaniketan's (I MEET)

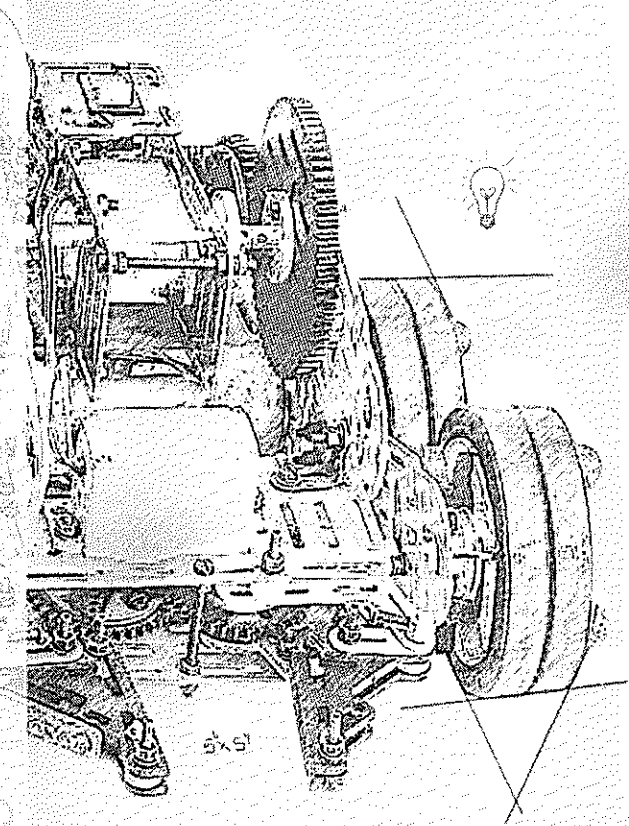


IndiaFIRST® ROBOTICS

IndiaFIRST®
ROBOTICS



3x5



This is to certify that

Kulkarni Vaishnavi

has successfully completed an exciting and innovation STEM Education program on

AI and ML

with Grade

A

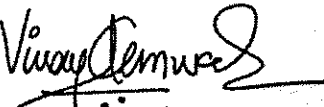
and has been awarded *Jr. Robotics Engineer*

We wish him/her a successful career in
Science, Technology, Engineering & Mathematics in future.

 Date *24.07.2021*

 Location *Online Digital Platform*

Certificate No. *20210135*


Vinay Kunwar
Founder-Director
IndiaFIRST® Robotics,
Pune



VISHWANIKETAN
TRUE COPY


Principal
Vishwaniket's



IndiaFIRST® ROBOTICS

IndiaFIRST®
ROBOTICS

This is to certify that

Kumar Om Prabhakar Upendra

has successfully completed an exciting and innovation STEM Education program on

AI and ML

with Grade *A*

and has been awarded *Jr. Robotics Engineer*

We wish him/her a successful career in
Science, Technology, Engineering & Mathematics in future.

Date *24.07.2021*

Location *Online Digital Platform*

Certificate No. *20210136*

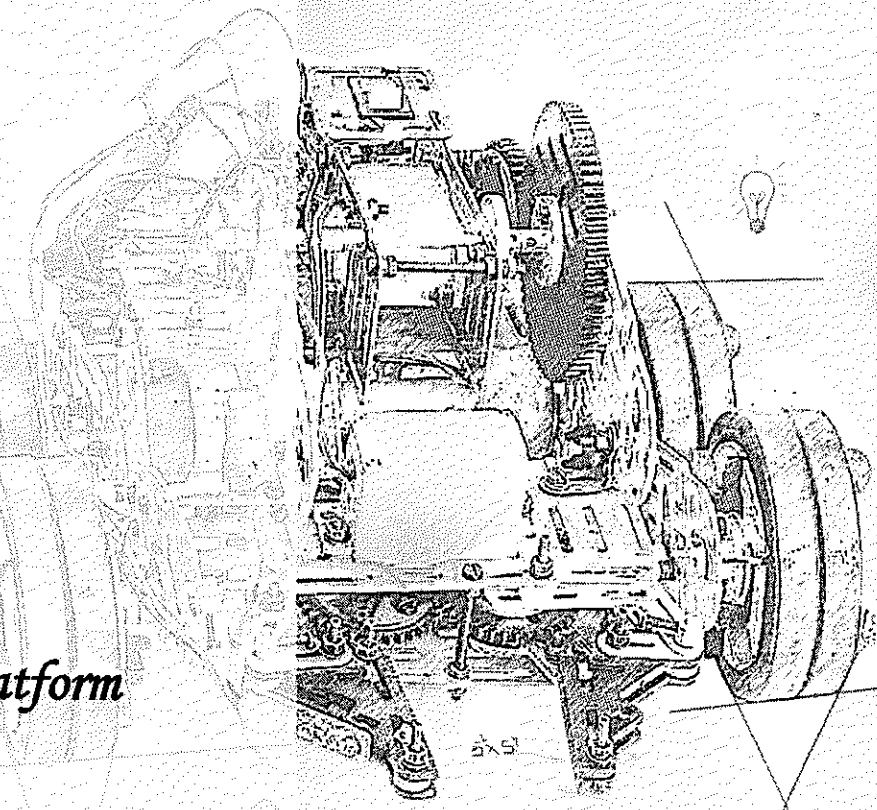
Vinay Kumar
Vinay Kunwar
Founder-Director
IndiaFIRST® Robotics,
Pune


IndiaFIRST®
ROBOTICS

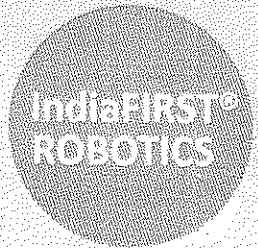

VISHWANIKETAN
TRUE COPY



J.P.D.
Principal
Vishwaniketan's (I MEET)



IndiaFIRST® ROBOTICS



This is to certify that

Nirguda Rupesh Vaman

has successfully completed an exciting and innovation STEM Education program on

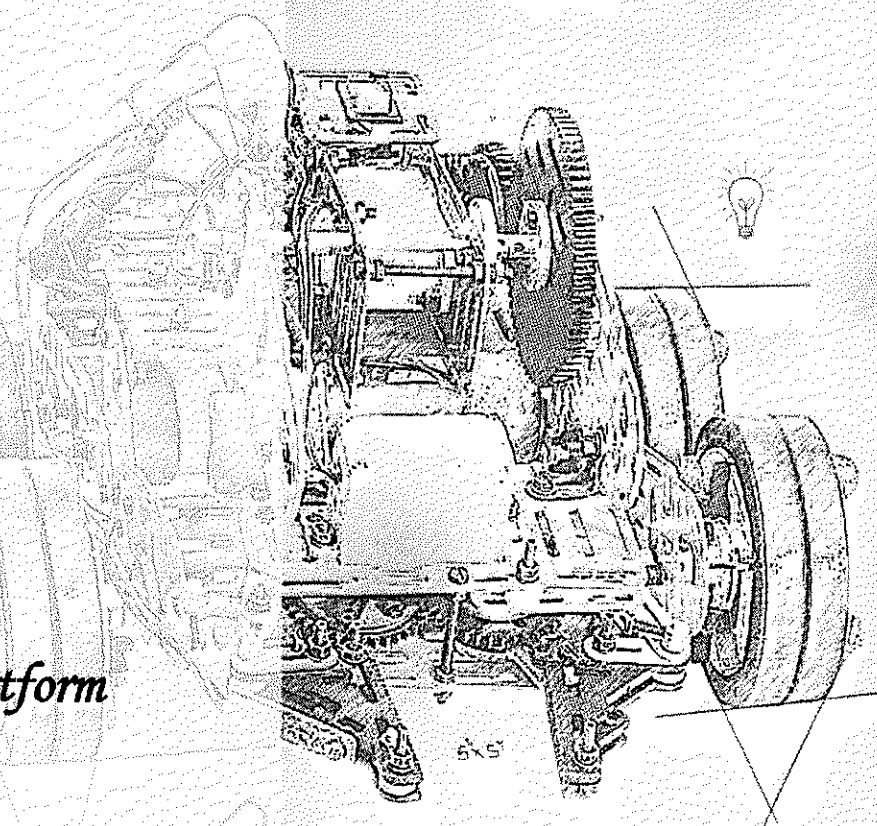
AI and ML with Grade *A*


and has been awarded *Jr. Robotics Engineer*

We wish him/her a successful career in
Science, Technology, Engineering & Mathematics in future.

 Date *24.07.2021*  Location *Online Digital Platform*

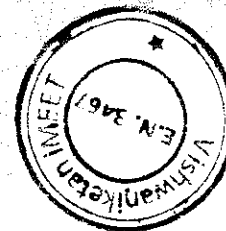
Certificate No. *20210139*

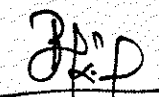



Vinay Kunwar
Founder-Director
IndiaFIRST® Robotics,
Pune

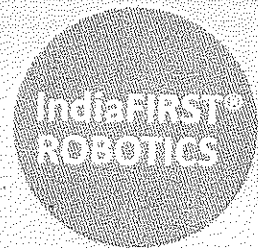


TRUE COPY




Principal
Vishwaniketan

IndiaFIRST® ROBOTICS



This is to certify that
Ulde Mayida Yaseen

has successfully completed an exciting and innovation STEM Education program on

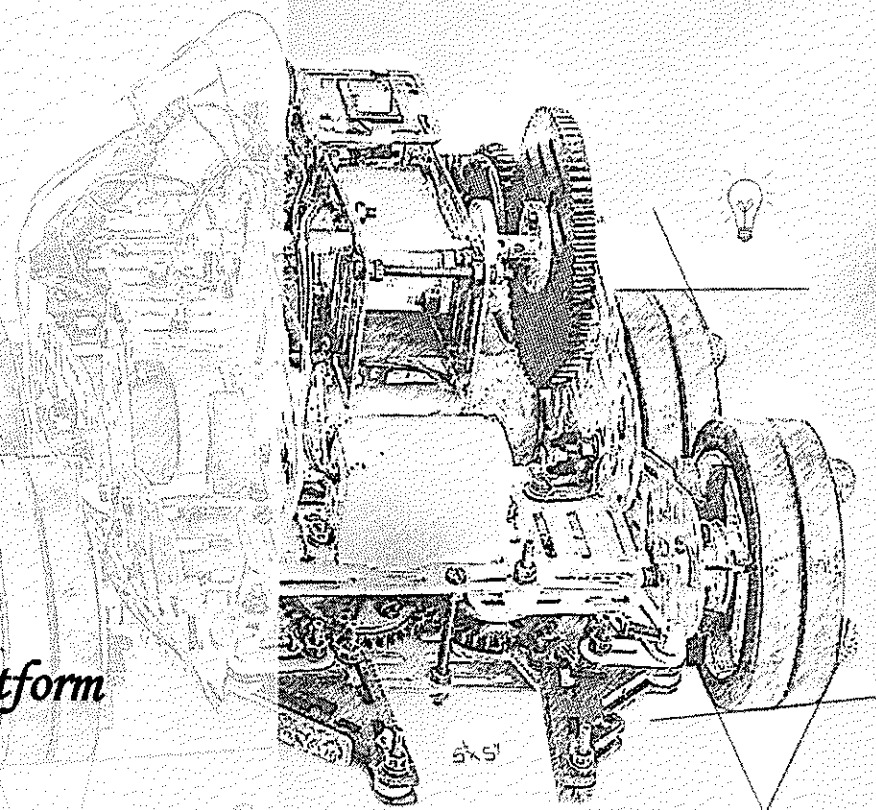
AI and ML with Grade *A*

and has been awarded *Jr. Robotics Engineer*

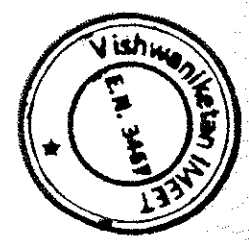
We wish him/her a successful career in
Science, Technology, Engineering & Mathematics in future.

Date *24.07.2021* Location *Online Digital Platform*

Certificate No. *20210195*



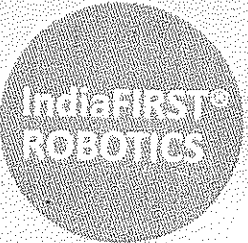
Vinay Kunwar
Vinay Kunwar
Founder-Director
IndiaFIRST® Robotics,
Pune



J.P.
Principal
Vishwaniketan's (I MEET)

TRUE COPY

IndiaFIRST® ROBOTICS



This is to certify that

Wala Paras Purshottam


has successfully completed an exciting and innovation STEM Education program on

AI and ML

with Grade *A*

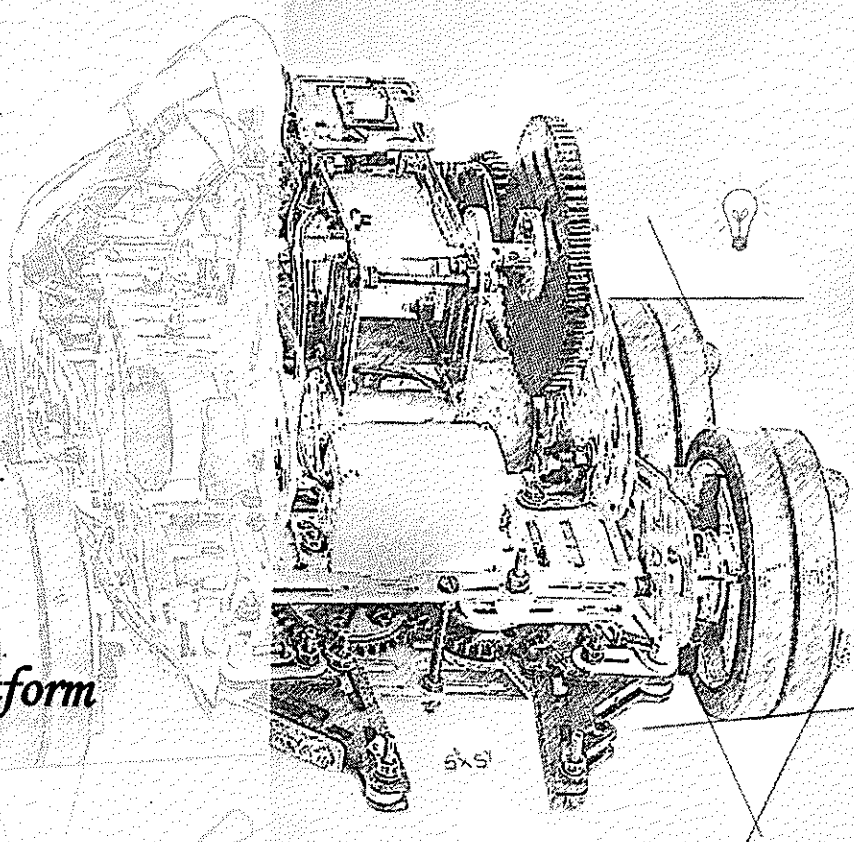
and has been awarded *Jr. Robotics Engineer*


We wish him/her a successful career in
Science, Technology, Engineering & Mathematics in future.

 Date *24.07.2021*

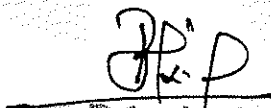
 Location *Online Digital Platform*

Certificate No. *20210193*




Vinay Kunwar
Founder-Director
IndiaFIRST® Robotics,
Pune




Principal
Vishwaniketan's (I MEET)

IndiaFIRST® ROBOTICS

IndiaFIRST®
ROBOTICS

This is to certify that

Wala Paras Purshottam

has successfully completed an exciting and innovation STEM Education program on

AI and ML

with Grade *A*


and has been awarded *Jr. Robotics Engineer*

We wish him/her a successful career in
Science, Technology, Engineering & Mathematics in future.

Date *24.07.2021*

Location *Online Digital Platform*

Certificate No. *20210193*

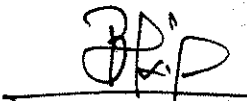

Vinay Kunwar
Founder-Director
IndiaFIRST® Robotics,
Pune

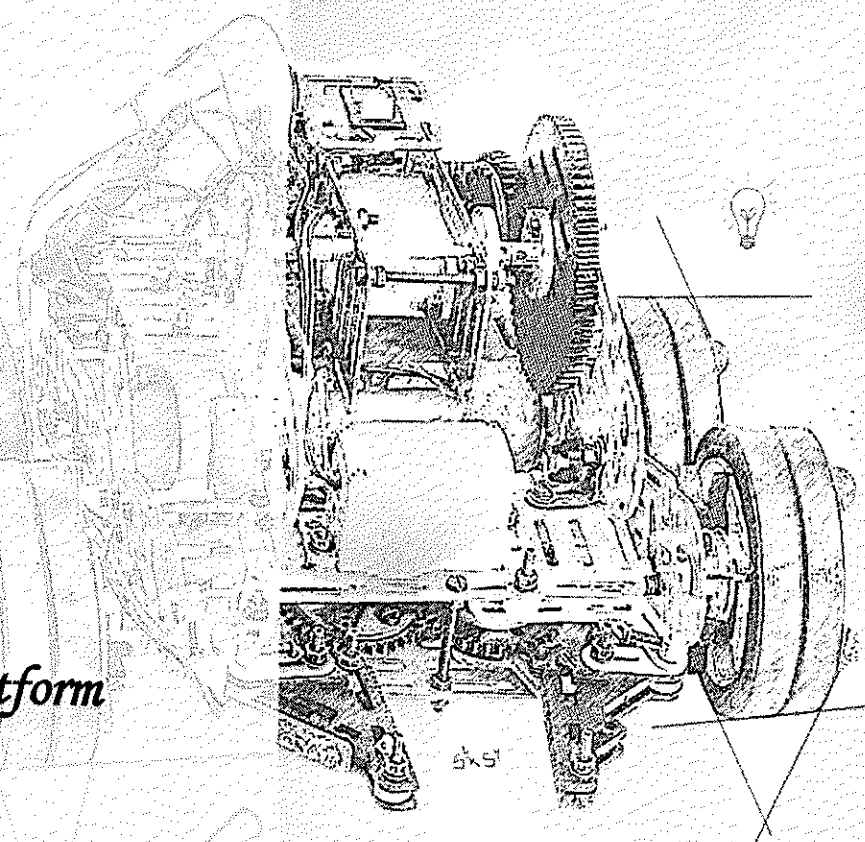

IndiaFIRST®
ROBOTICS


VISHWANIKETAN

TRUE COPY




Principal
Vishwaniketan's (I MEET)



IndiaFIRST® ROBOTICS

IndiaFIRST®
ROBOTICS

This is to certify that

Sneha Surendra Mhatre

has successfully completed an exciting and innovation STEM Education program on

AI and ML with Grade *A*

and has been awarded *Jr. Robotics Engineer*

We wish him/her a successful career in
Science, Technology, Engineering & Mathematics in future.

Date *24.07.2021* Location *Online Digital Platform*

Certificate No. *20210192*

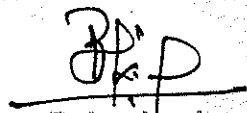


Vinay Kunwar
Founder-Director
IndiaFIRST® Robotics,
Pune

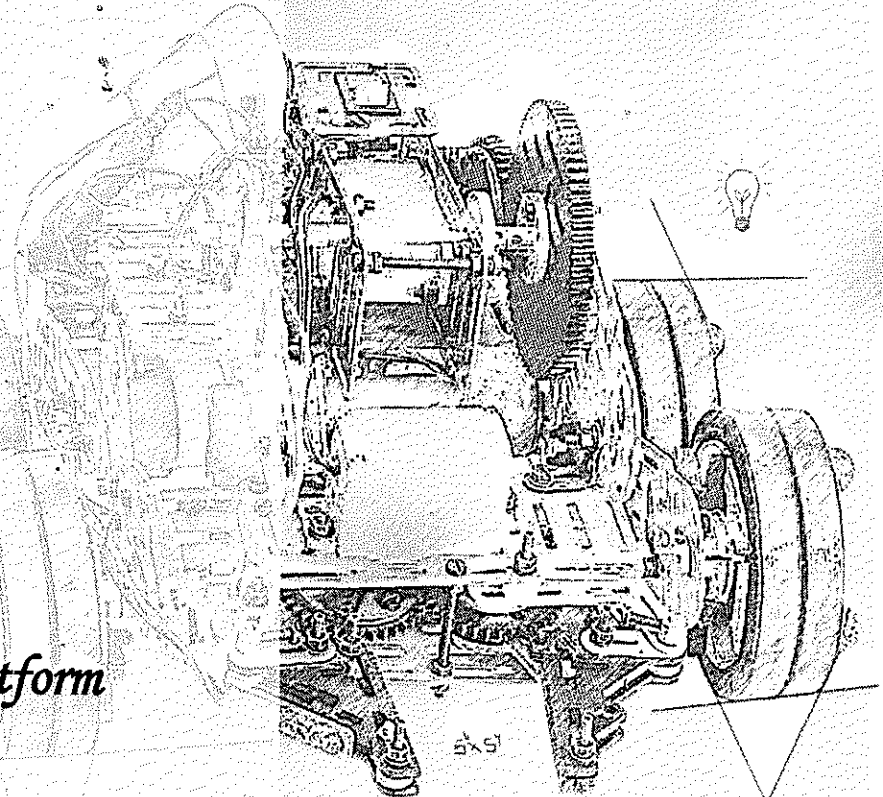
IndiaFIRST®
ROBOTICS



TRUE COPY VISHWANIKETAN



Principal
Vishwaniketan's (I MEET)



IndiaFIRST® ROBOTICS

IndiaFIRST®
ROBOTICS



This is to certify that

Singh Pradeep Lallan

has successfully completed an exciting and innovation STEM Education program on


AI and ML

with Grade

A

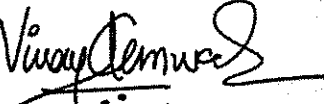
and has been awarded *Jr. Robotics Engineer*

We wish him/her a successful career in
Science, Technology, Engineering & Mathematics in future.

 Date *24.07.2021*

 Location *Online Digital Platform*

Certificate No. *20210188*


Vinay Kunwar
Founder-Director
IndiaFIRST® Robotics,
Pune

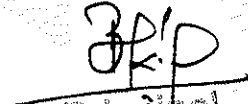

IndiaFIRST®
ROBOTICS

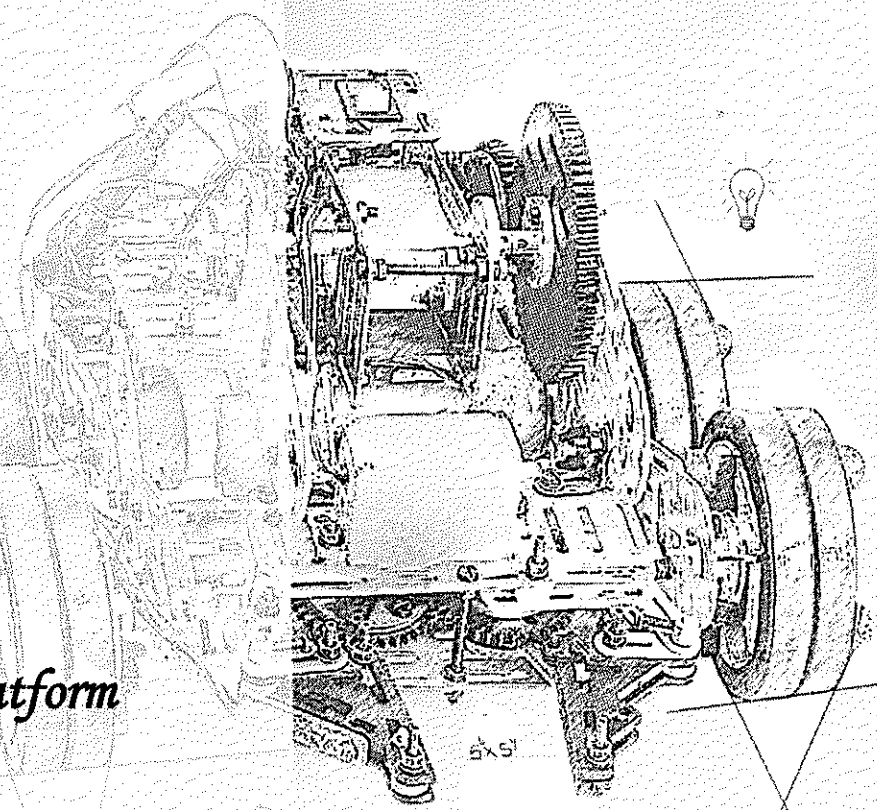


VISHWANIKETAN

TRUE COPY




Principal
Vishwaniketan's (I MEET)



IndiaFIRST® ROBOTICS

IndiaFIRST®
ROBOTICS



5x51

This is to certify that

Yash Umesh Thakur

has successfully completed an exciting and innovation STEM Education program on

AI and ML

with Grade

A

and has been awarded *Jr. Robotics Engineer*

We wish him/her a successful career in
Science, Technology, Engineering & Mathematics in future.

📅 Date *24.07.2021*



Location *Online Digital Platform*

Certificate No. *20210191*

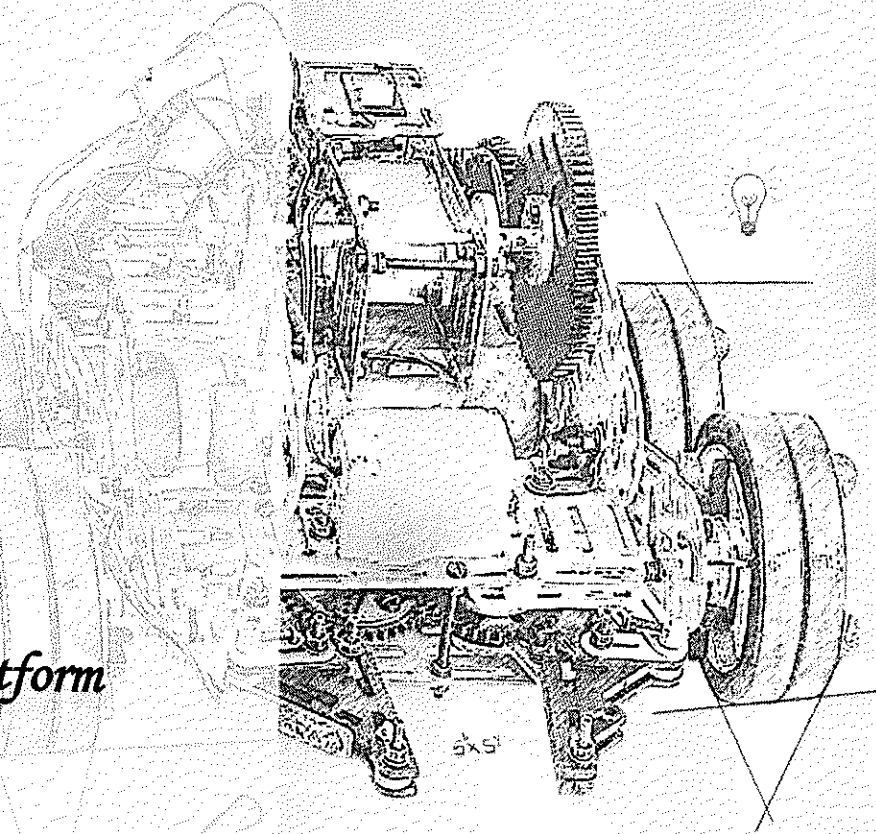
Vinay Kunwar
Founder-Director
IndiaFIRST® Robotics,
Pune



VISHWANIKETAN
TRUE COPY



Principal
Vishwaniketan's (I MEET)



IndiaFIRST® ROBOTICS

IndiaFIRST®
ROBOTICS

This is to certify that

Singh Aditya Rajesh

has successfully completed an exciting and innovation STEM Education program on

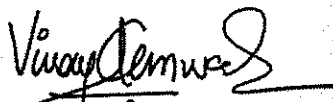
AI and ML with Grade *A*

and has been awarded *Jr. Robotics Engineer*

We wish him/her a successful career in
Science, Technology, Engineering & Mathematics in future.

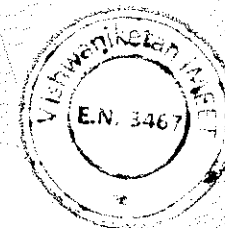
 Date *24.07.2021*  Location *Online Digital Platform*

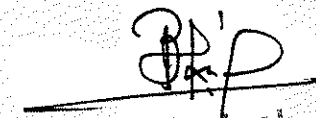
Certificate No. *20210190*

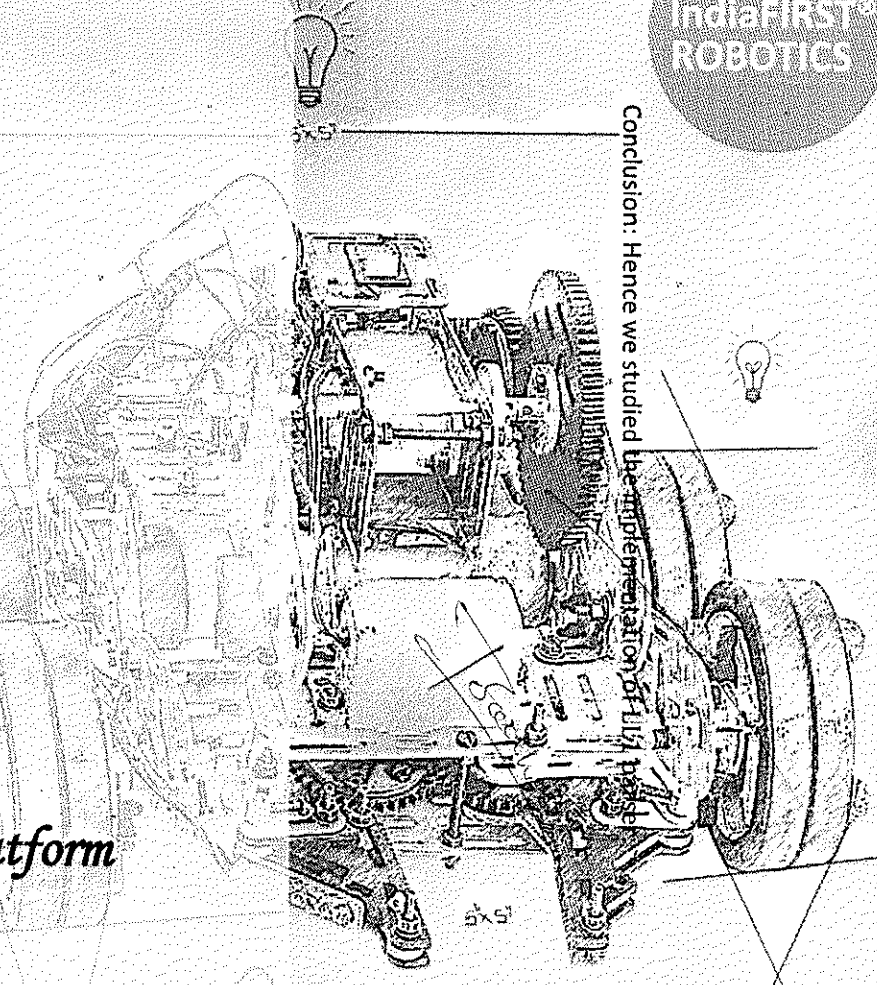

Vinay Kunwar
Founder-Director
IndiaFIRST® Robotics,
Pune


IndiaFIRST®
ROBOTICS


VISHWANIKETAN
TRUE COPY




Principal
Vishwaniketan's (I MEET)



Conclusion: Hence we studied the implementation of this project

IndiaFIRST® ROBOTICS

IndiaFIRST®
ROBOTICS

This is to certify that

Singh Yash Vijay


has successfully completed an exciting and innovation STEM Education program on

AI and ML

with Grade *A*


and has been awarded *Jr. Robotics Engineer*

We wish him/her a successful career in
Science, Technology, Engineering & Mathematics in future.

 Date *24.07.2021*

 Location *Online Digital Platform*

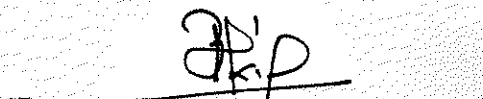
Certificate No. *20210189*

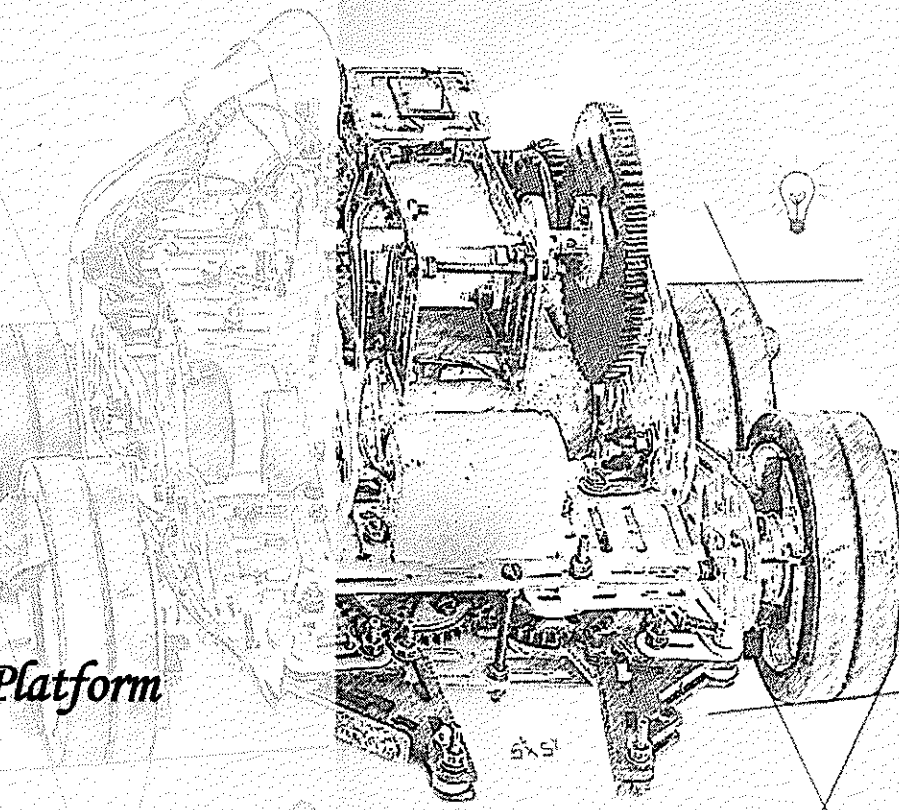

Vinay Kunwar
Founder-Director
IndiaFIRST® Robotics,
Pune


IndiaFIRST®
ROBOTICS


VISHWANIKETAN
TRUE COPY




Principal
Vishwaniketan's (I MET)



IndiaFIRST® ROBOTICS

IndiaFIRST®
ROBOTICS

This is to certify that

Atharv Varshanand Patil

has successfully completed an exciting and innovation STEM Education program on

AI and ML

with Grade

A

and has been awarded *Jr. Robotics Engineer*

We wish him/her a successful career in
Science, Technology, Engineering & Mathematics in future.

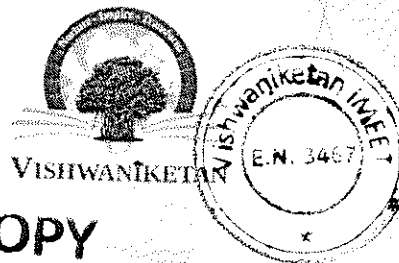
📅 Date *24.07.2021*

📍 Location *Online Digital Platform*

Certificate No. *20210177*

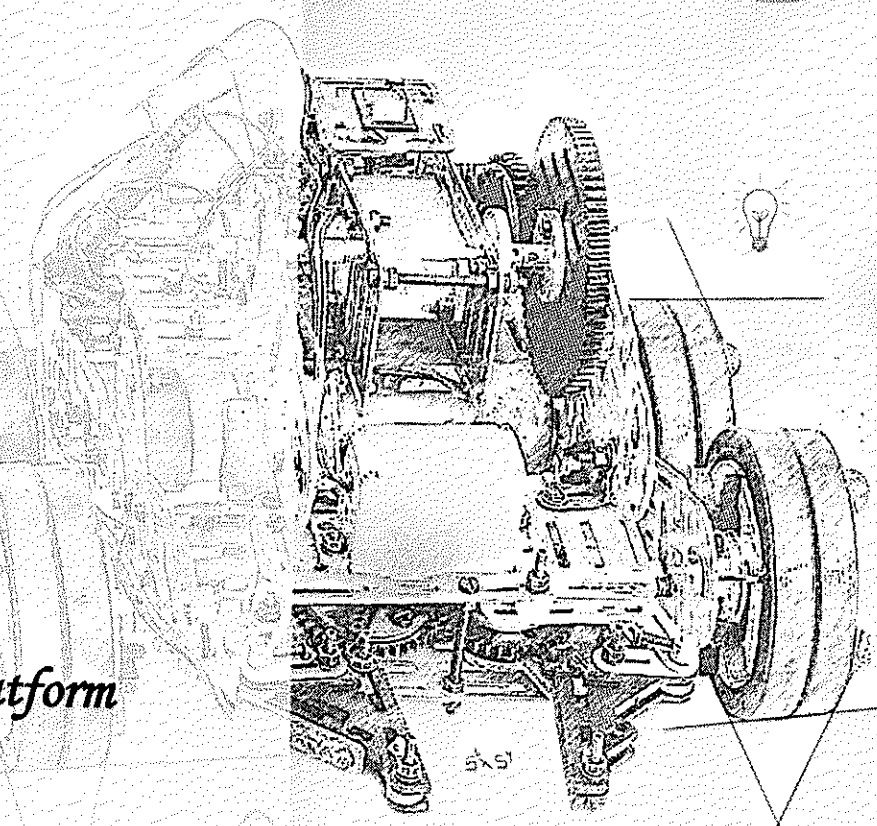
Vinay Kunwar
Vinay Kunwar
Founder-Director
IndiaFIRST® Robotics,
Pune


IndiaFIRST®
ROBOTICS



TRUE COPY

J.P.
Principal
Vishwaniketan's (I) MEET



IndiaFIRST® ROBOTICS

IndiaFIRST®
ROBOTICS

This is to certify that

Patil Rohan Rajendra

has successfully completed an exciting and innovation STEM Education program on


AI and ML

with Grade

A


and has been awarded *Jr. Robotics Engineer*

We wish him/her a successful career in
Science, Technology, Engineering & Mathematics in future.

 Date *24.07.2021*

 Location *Online Digital Platform*


Certificate No. *20210179*

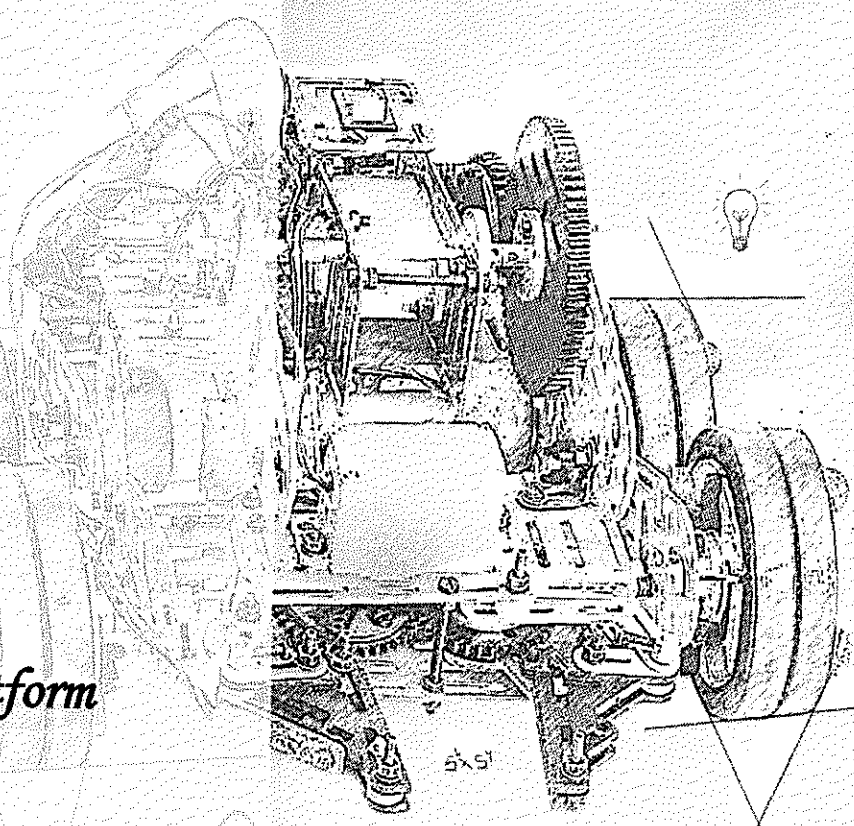

Vinay Kunwar
Founder-Director
IndiaFIRST® Robotics,
Pune


IndiaFIRST®
ROBOTICS


VISHWANIKETAN

TRUE COPY


Principal
Vishwaniketan's (I MEET)



IndiaFIRST® ROBOTICS

IndiaFIRST®
ROBOTICS

This is to certify that

Patil Vishwajeet Ashokrao

has successfully completed an exciting and innovation STEM Education program on


AI and ML with Grade *A*

and has been awarded *Jr. Robotics Engineer*

We wish him/her a successful career in
Science, Technology, Engineering & Mathematics in future.

Date *24.07.2021* Location *Online Digital Platform*

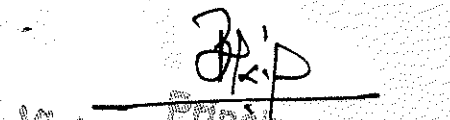
Certificate No. *20210180*

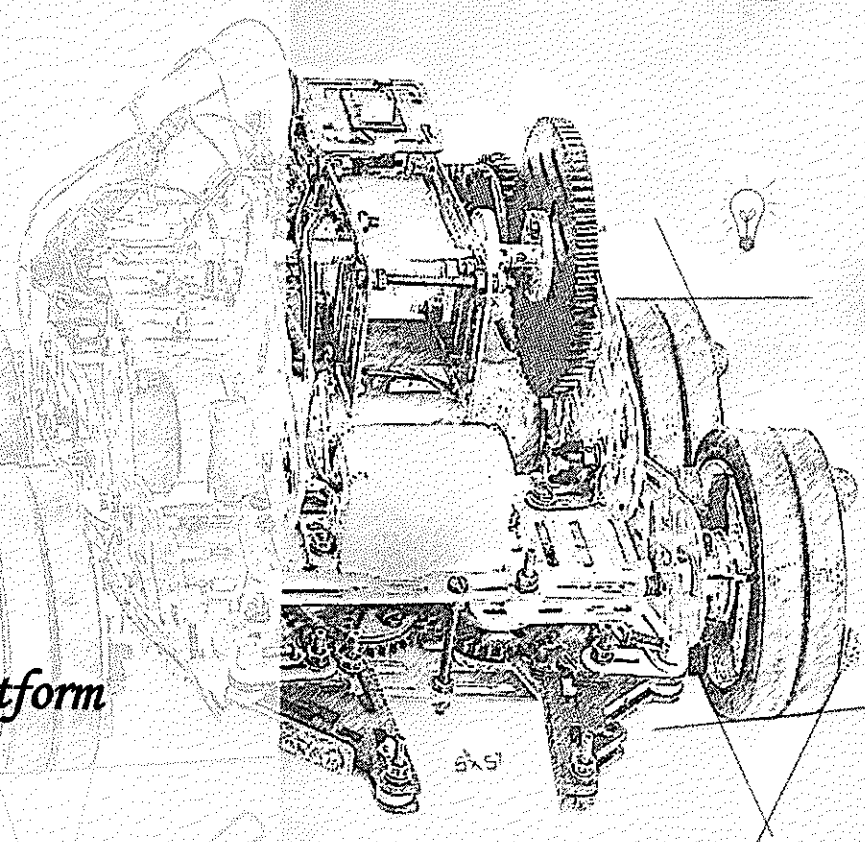

Vinay Kunwar
Founder-Director
IndiaFIRST® Robotics,
Pune


IndiaFIRST®
ROBOTICS


VISHWANIKETAN

TRUE COPY


Principal
Vishwaniketan's (I MEET)



IndiaFIRST® ROBOTICS

IndiaFIRST®
ROBOTICS



This is to certify that

Raut Nilesh Dukharan

has successfully completed an exciting and innovation STEM Education program on

AI and ML

with Grade

A

and has been awarded *Jr. Robotics Engineer*

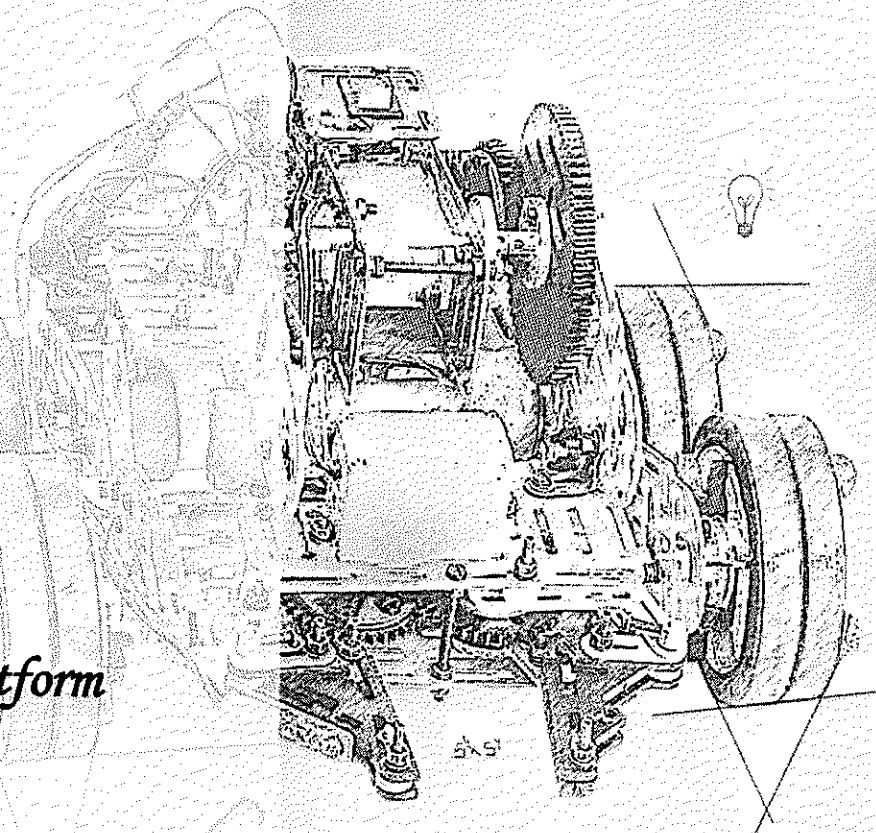
We wish him/her a successful career in
Science, Technology, Engineering & Mathematics in future.

Date *24.07.2021*



Location *Online Digital Platform*

Certificate No. *20210182*



Vinay Kunwar
Vinay Kunwar
Founder-Director
IndiaFIRST® Robotics,
Pune



VISHWANIKETAN

TRUE COPY

J.P.P.
Principal
Vishwaniketan's (I MEET)



IndiaFIRST® ROBOTICS

IndiaFIRST®
ROBOTICS



This is to certify that

Sayyad Aaman Javed

has successfully completed an exciting and innovation STEM Education program on


AI and ML

with Grade

A

and has been awarded *Jr. Robotics Engineer*

We wish him/her a successful career in
Science, Technology, Engineering & Mathematics in future.

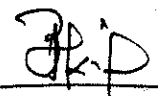
 Date *24.07.2021*

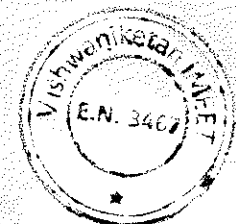
 Location *Online Digital Platform*

Certificate No. *20210183*

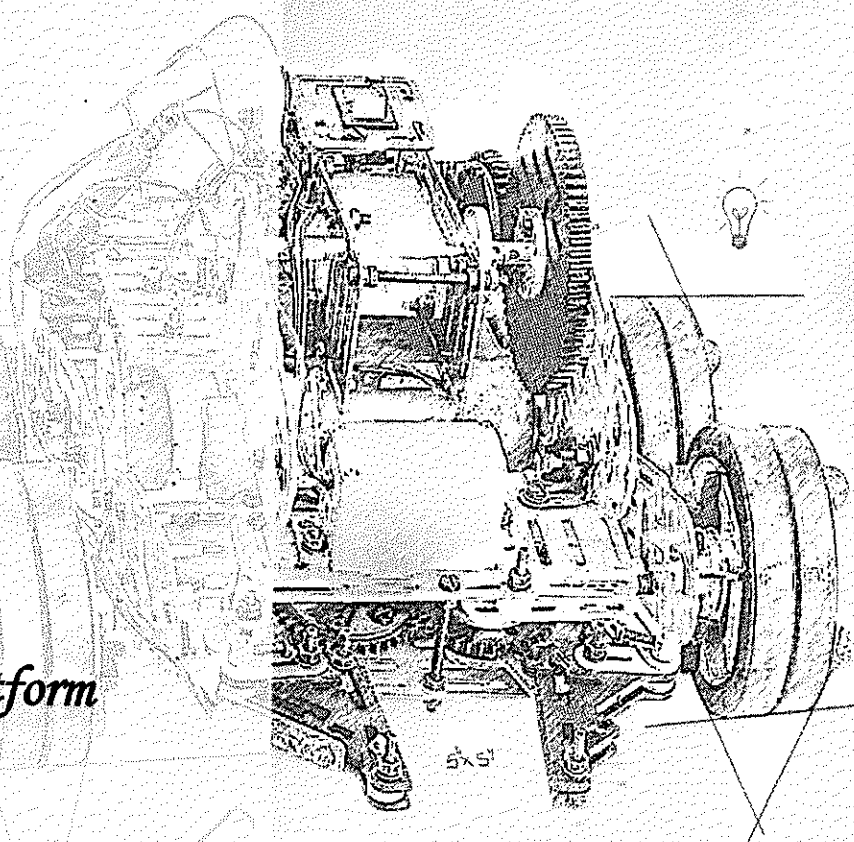
Vinay Kunwar
Founder-Director
IndiaFIRST® Robotics,
Pune




Principal
Vishwaniketan's (I MEET)



TRUE COPY



IndiaFIRST® ROBOTICS

IndiaFIRST®
ROBOTICS

This is to certify that

Prasad Sagarkumar Krishna

has successfully completed an exciting and innovation STEM Education program on

AI and ML

with Grade *A*

and has been awarded *Jr. Robotics Engineer*

We wish him/her a successful career in
Science, Technology, Engineering & Mathematics in future.

Date *24.07.2021*

Location *Online Digital Platform*

Certificate No. *20210181*

Vinay Kunwar
Vinay Kunwar
Founder-Director
IndiaFIRST® Robotics,
Pune

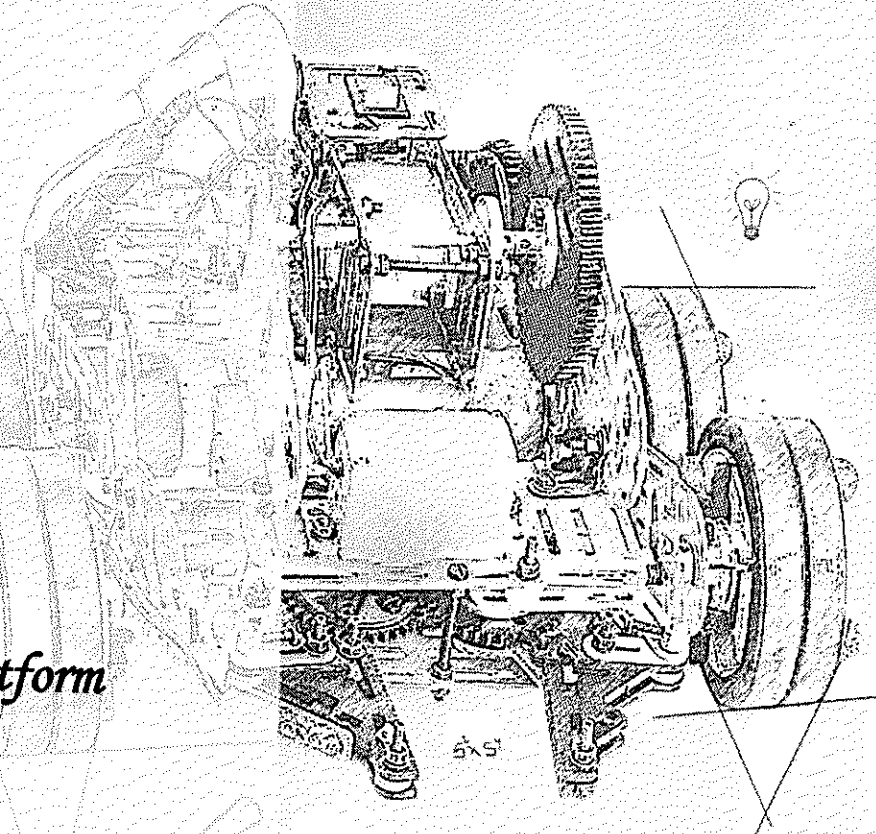

IndiaFIRST®
ROBOTICS


VISHWANIKETAN

P.K.P.
Principal
Vishwaniketan's (I MEET)



TRUE COPY



IndiaFIRST® ROBOTICS

IndiaFIRST®
ROBOTICS

This is to certify that

Singh Aman Kumar Dharamvir

has successfully completed an exciting and innovation STEM Education program on

AI and ML

with Grade

A

and has been awarded *Jr. Robotics Engineer*

We wish him/her a successful career in
Science, Technology, Engineering & Mathematics in future.

Date *24.07.2021*



Location *Online Digital Platform*

Certificate No. *20210187*

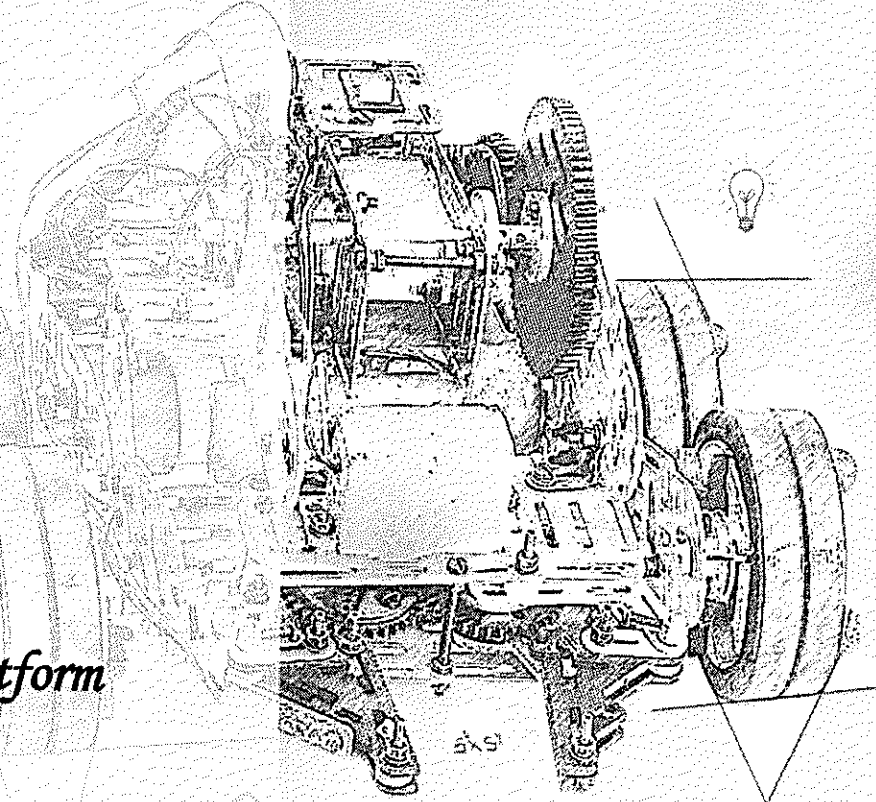
Vinay Kunwar
Vinay Kunwar
Founder-Director
IndiaFIRST® Robotics,
Pune


IndiaFIRST®
ROBOTICS

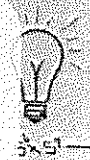
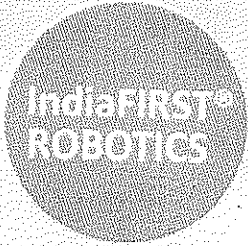

VISHWANIKETAN

TRUE COPY

J.P.P.
Principal
Vishwaniketan's (I MEET)



IndiaFIRST® ROBOTICS



This is to certify that

Mokal Abhinandan Alankar

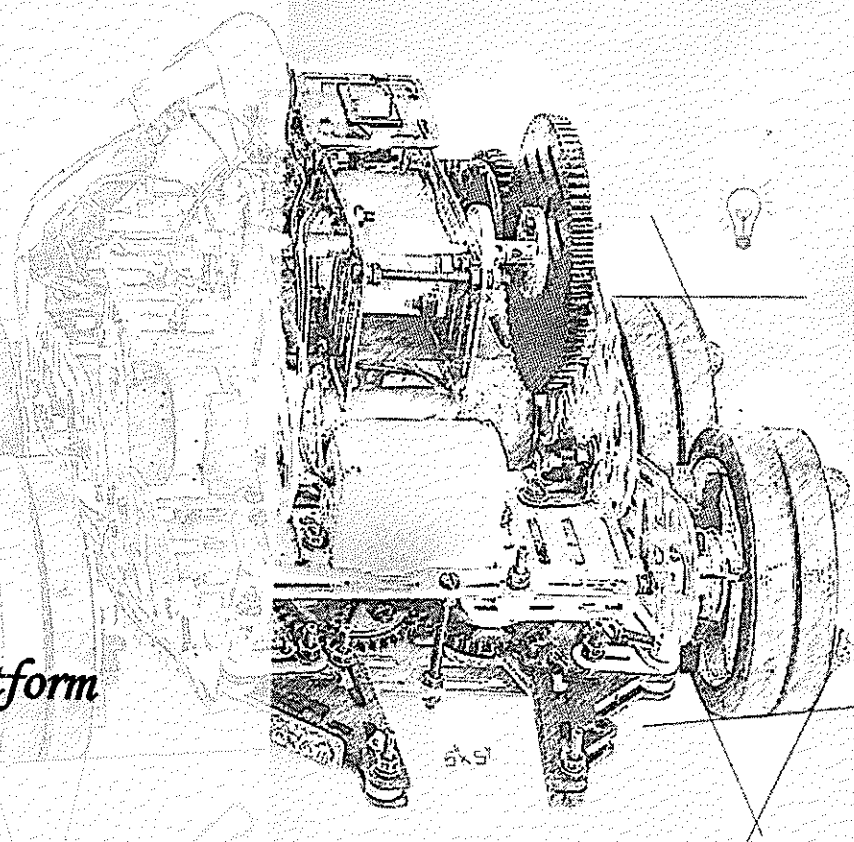
has successfully completed an exciting and innovation STEM Education program on


AI and ML

with Grade *A*

and has been awarded *Jr. Robotics Engineer*

We wish him/her a successful career in
Science, Technology, Engineering & Mathematics in future.



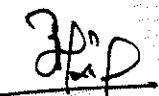
 Date *24.07.2021*

 Location *Online Digital Platform*

Certificate No. *20210138*

Vinay Kunwar
Founder-Director
IndiaFIRST® Robotics,
Pune




Principal
Vishwaniketan's (I MEET)

IndiaFIRST® ROBOTICS

IndiaFIRST®
ROBOTICS

This is to certify that

Malligawad Gagan

has successfully completed an exciting and innovation STEM Education program on

AI and ML

with Grade

A

and has been awarded

Jr. Robotics Engineer

We wish him/her a successful career in
Science, Technology, Engineering & Mathematics in future.

Date *24.07.2021*

Location *Online Digital Platform*

Certificate No. *20210137*

Vinay Kunwar
Vinay Kunwar
Founder-Director
IndiaFIRST® Robotics,
Pune

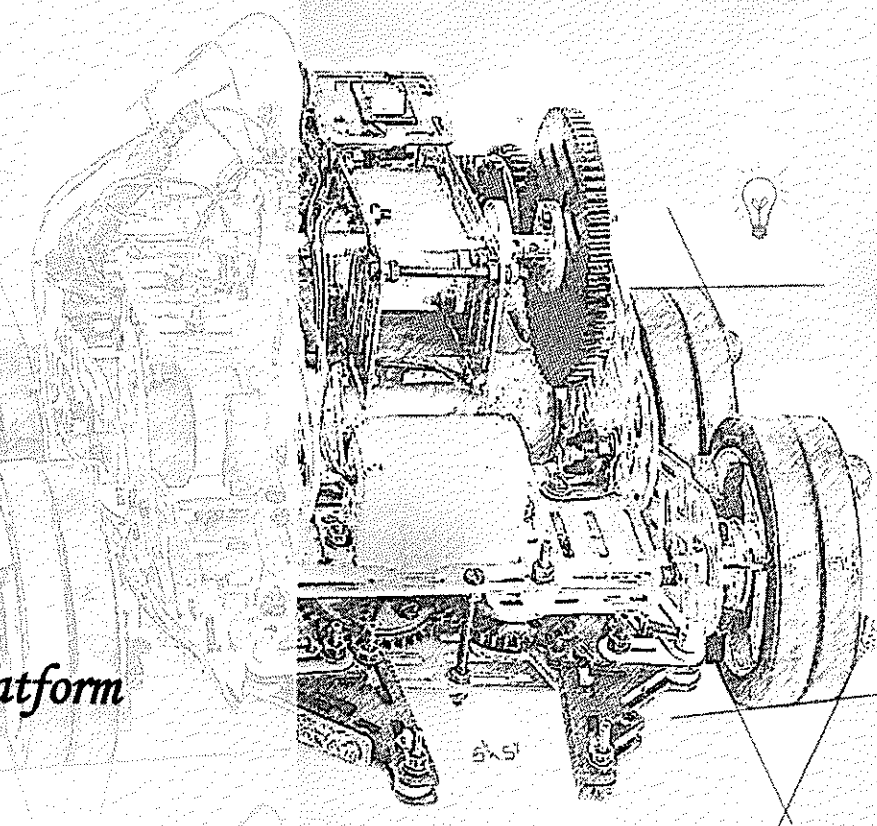

IndiaFIRST®
ROBOTICS


VISHWANIKETAN



Principal
Principal
Vishwaniketan's (I MEET)

TRUE COPY



IndiaFIRST® ROBOTICS

IndiaFIRST®
ROBOTICS



This is to certify that

Jha Jaya Shailesh Kumar

has successfully completed an exciting and innovation STEM Education program on

AI and ML

with Grade

A

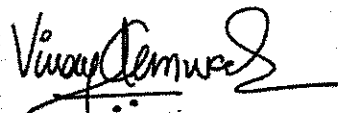
and has been awarded *Jr. Robotics Engineer*

We wish him/her a successful career in
Science, Technology, Engineering & Mathematics in future.

Date *24.07.2021*

Location *Online Digital Platform*

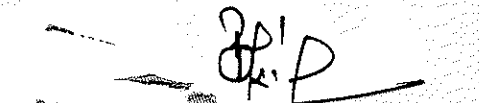
Certificate No. *20210134*


Vinay Kunwar
Founder-Director
IndiaFIRST® Robotics,
Pune

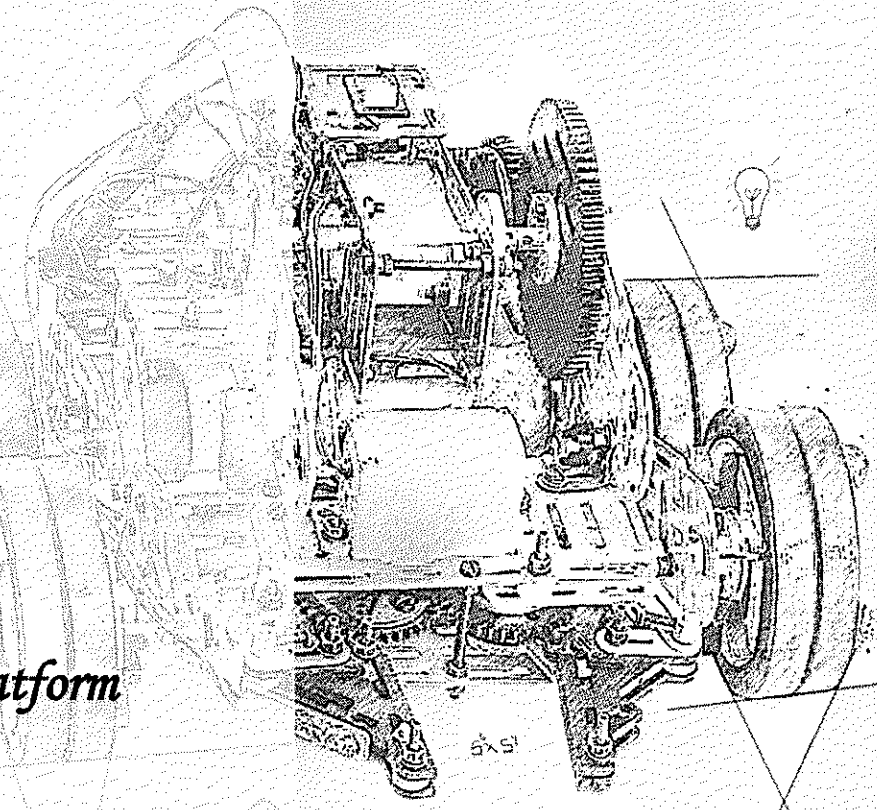

IndiaFIRST®
ROBOTICS


VISHWANIKETAN




Principal
Vishwaniketan's (IMEET)

TRUE COPY



IndiaFIRST® ROBOTICS

IndiaFIRST®
ROBOTICS



This is to certify that

Jadhav Yash Bharat

has successfully completed an exciting and innovation STEM Education program on

AI and ML

with Grade

A

and has been awarded *Jr. Robotics Engineer*

We wish him/her a successful career in
Science, Technology, Engineering & Mathematics in future.



Date *24.07.2021*



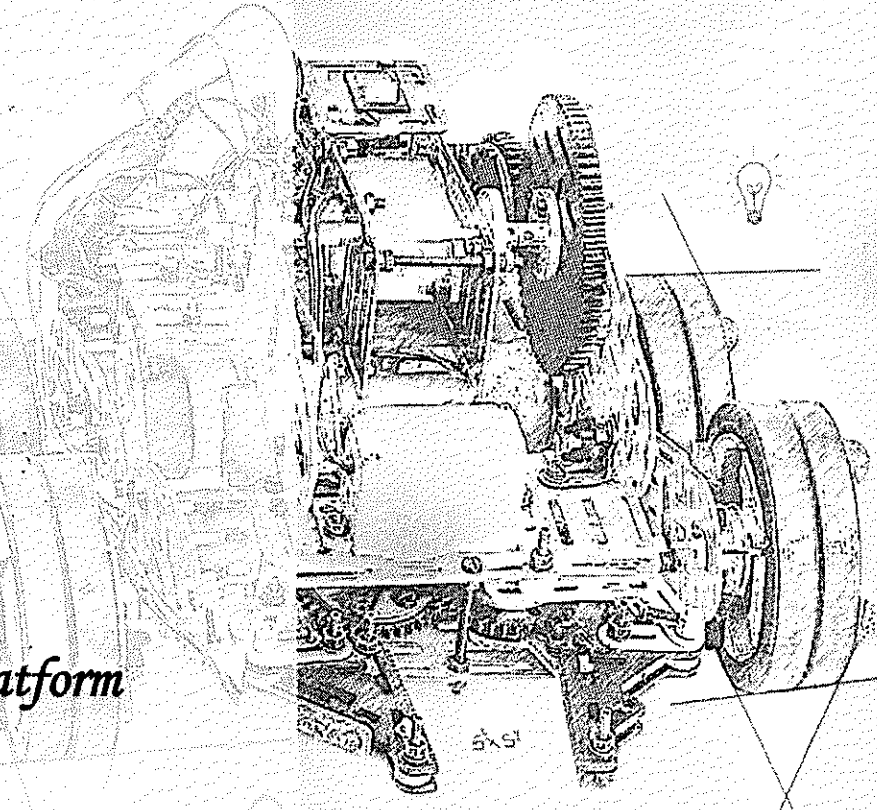
Location *Online Digital Platform*

Certificate No. *20210133*

Vinay Kunwar
Founder-Director
IndiaFIRST® Robotics,
Pune



TRUE COPY


Principal
Vishwaniketan's (Haram)

IndiaFIRST® ROBOTICS

IndiaFIRST®
ROBOTICS



This is to certify that

Jadhav Chinmay Santosh

has successfully completed an exciting and innovation STEM Education program on

AI and ML

with Grade

A

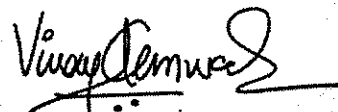
and has been awarded *Jr. Robotics Engineer*

We wish him/her a successful career in
Science, Technology, Engineering & Mathematics in future.

Date *24.07.2021*

Location *Online Digital Platform*

Certificate No. *20210132*

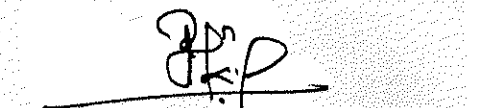

Vinay Kunwar
Founder-Director
IndiaFIRST® Robotics,
Pune

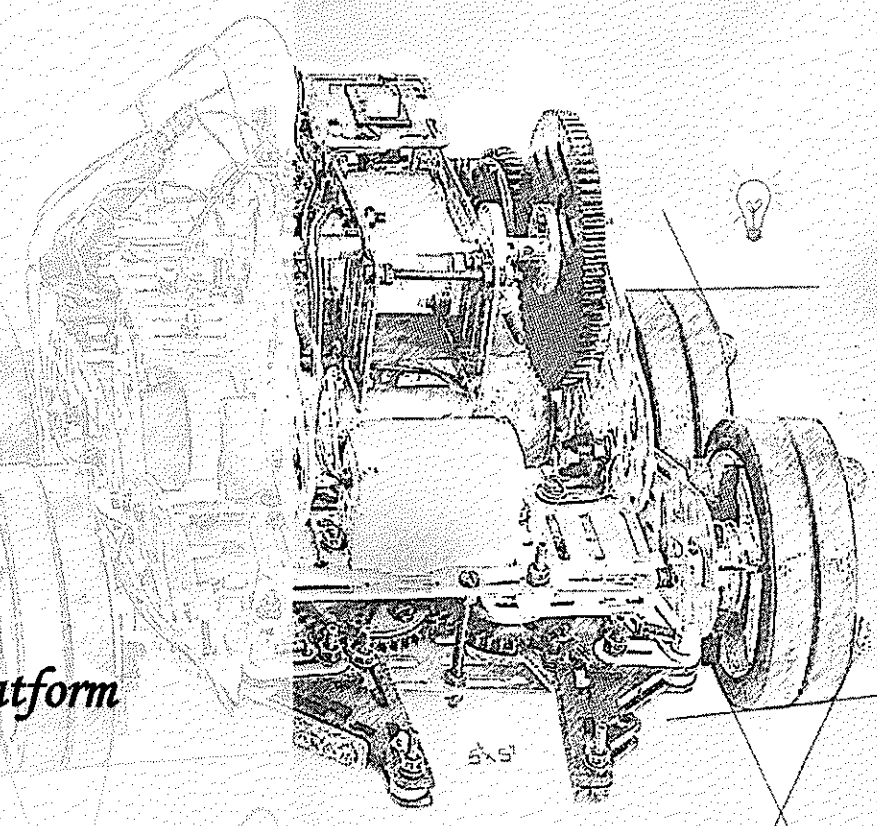

IndiaFIRST®
ROBOTICS


VISHWANIKETAN

TRUE COPY




Principal
Vishwaniketan's (I MEET)



IndiaFIRST® ROBOTICS

IndiaFIRST®
ROBOTICS

This is to certify that

Gadiwale Shifa Mustaq Mohammed

has successfully completed an exciting and innovation STEM Education program on


AI and ML with Grade *A*

and has been awarded *Jr. Robotics Engineer*

We wish him/her a successful career in
Science, Technology, Engineering & Mathematics in future.

Date *24.07.2021* Location *Online Digital Platform*

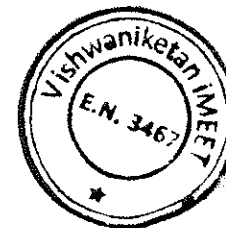
Certificate No. *20210131*

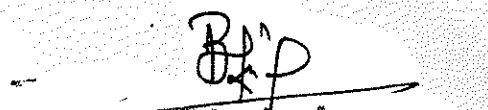

Vinay Kunwar
Founder-Director
IndiaFIRST® Robotics,
Pune

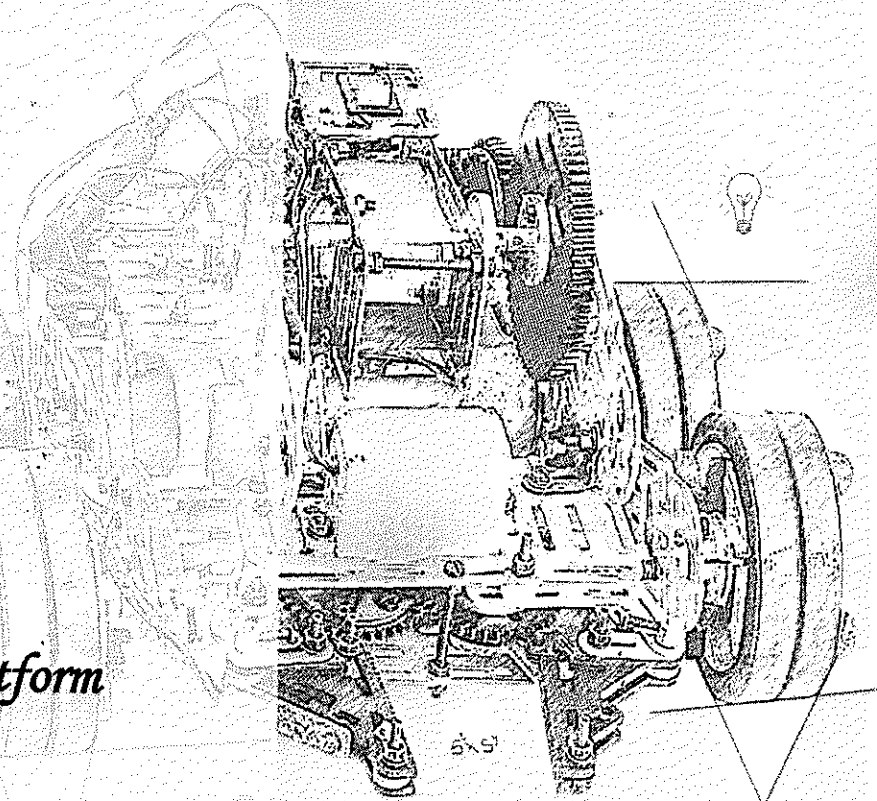

IndiaFIRST®
ROBOTICS


VISHWANIKETAN

TRUE COPY




Principal
Vishwaniketan's (I MEET)



IndiaFIRST® ROBOTICS

IndiaFIRST®
ROBOTICS

This is to certify that

Dnyane Siddhant

has successfully completed an exciting and innovation STEM Education program on

AI and ML

with Grade

A

and has been awarded *Jr. Robotics Engineer*

We wish him/her a successful career in
Science, Technology, Engineering & Mathematics in future.



Date

24.07.2021



Location

Online Digital Platform

Certificate No.

20210130

Vinay Kunwar

Founder-Director

IndiaFIRST® Robotics,

Pune

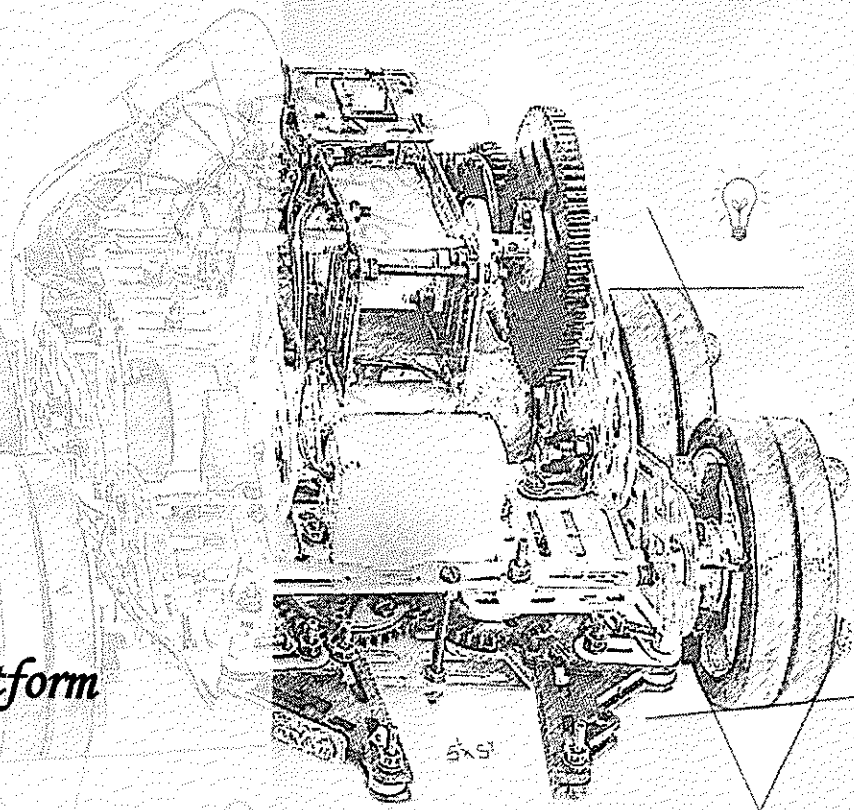


VISHWANIKETAN



[Signature]
Principal
Vishwaniketan's (IMET)

TRUE COPY



IndiaFIRST® ROBOTICS

IndiaFIRST®
ROBOTICS

This is to certify that

Chorghe Yash Ramesh

has successfully completed an exciting and innovation STEM Education program on

AI and ML

with Grade

A


and has been awarded *Jr. Robotics Engineer*

We wish him/her a successful career in
Science, Technology, Engineering & Mathematics in future.

📅 Date *24.07.2021*

📍 Location *Online Digital Platform*

Certificate No. *20210129*

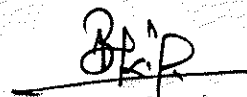

Vinay Kunwar
Founder-Director
IndiaFIRST® Robotics,
Pune

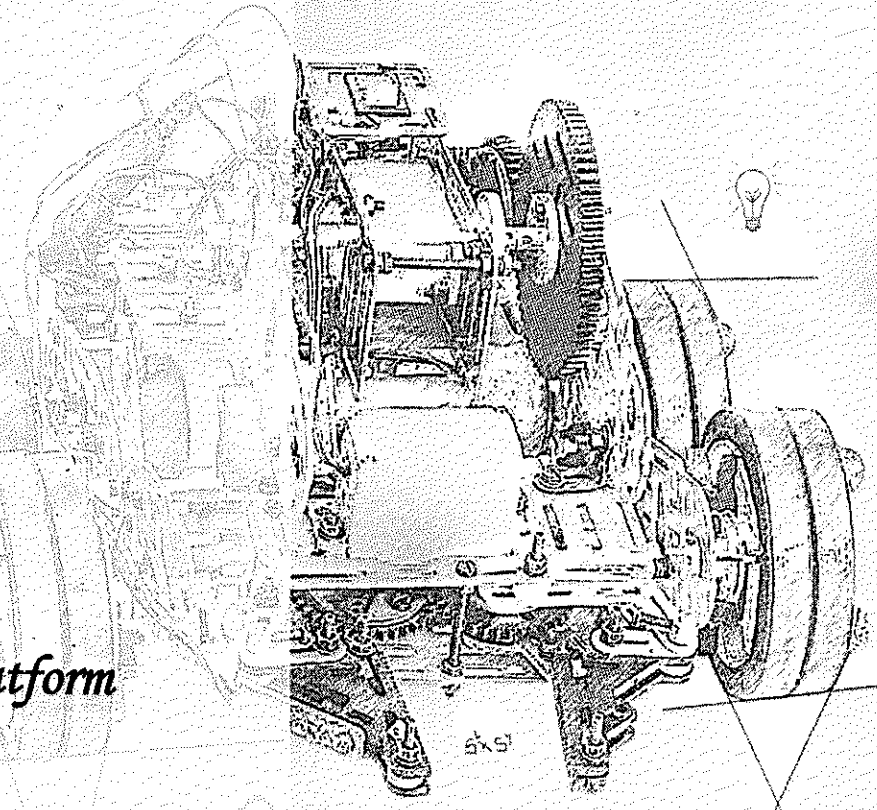

IndiaFIRST®
ROBOTICS


VISHWANIKETAN

TRUE COPY




Principal
Vishwaniketan's (I MEET)



IndiaFIRST® ROBOTICS

IndiaFIRST®
ROBOTICS

This is to certify that

Bhoir Mahima Vishwanath

has successfully completed an exciting and innovation STEM Education program on

AI and ML

with Grade *A*


and has been awarded *Jr. Robotics Engineer*

We wish him/her a successful career in
Science, Technology, Engineering & Mathematics in future.

Date *24.07.2021*

Location *Online Digital Platform*

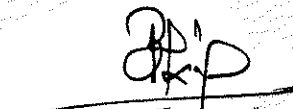
Certificate No. *20210128*


Vinay Kunwar
Founder-Director
IndiaFIRST® Robotics,
Pune

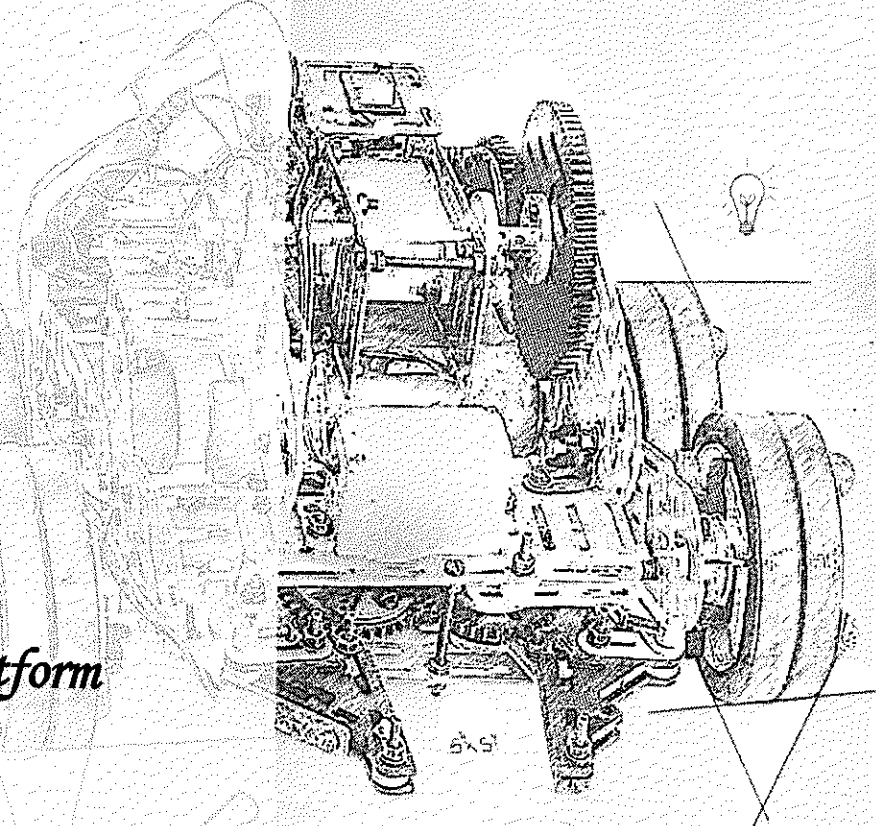

IndiaFIRST®
ROBOTICS


VISHWANIKETAN




Principal
Vishwaniketan's (I MEET)

TRUE COPY



IndiaFIRST® ROBOTICS

IndiaFIRST®
ROBOTICS



This is to certify that

Bhesare Shreyashi Santosh

has successfully completed an exciting and innovation STEM Education program on

AI and ML

with Grade *A*

and has been awarded *Jr. Robotics Engineer*

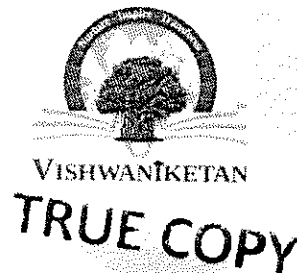
We wish him/her a successful career in
Science, Technology, Engineering & Mathematics in future.

Date *24.07.2021*

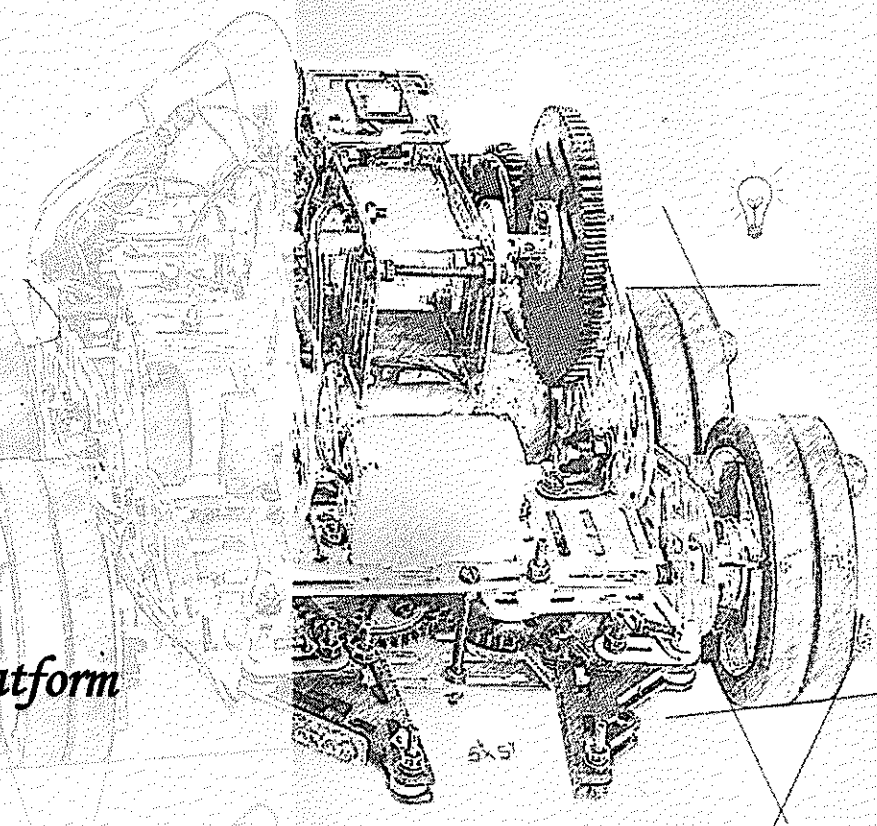
Location *Online Digital Platform*

Certificate No. *20210127*

Vinay Kumar
Vinay Kunwar
Founder-Director
IndiaFIRST® Robotics,
Pune



J.P.D.
Principal
Vishwaniketan's (I MEET)



IndiaFIRST® ROBOTICS

IndiaFIRST®
ROBOTICS



This is to certify that

Pawar Shivam Deepak

has successfully completed an exciting and innovation STEM Education program on


AI and ML with Grade *A*

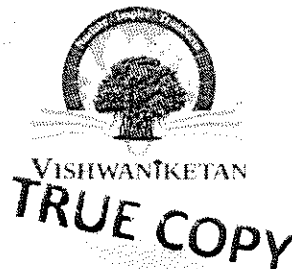
and has been awarded *Jr. Robotics Engineer*

We wish him/her a successful career in
Science, Technology, Engineering & Mathematics in future.

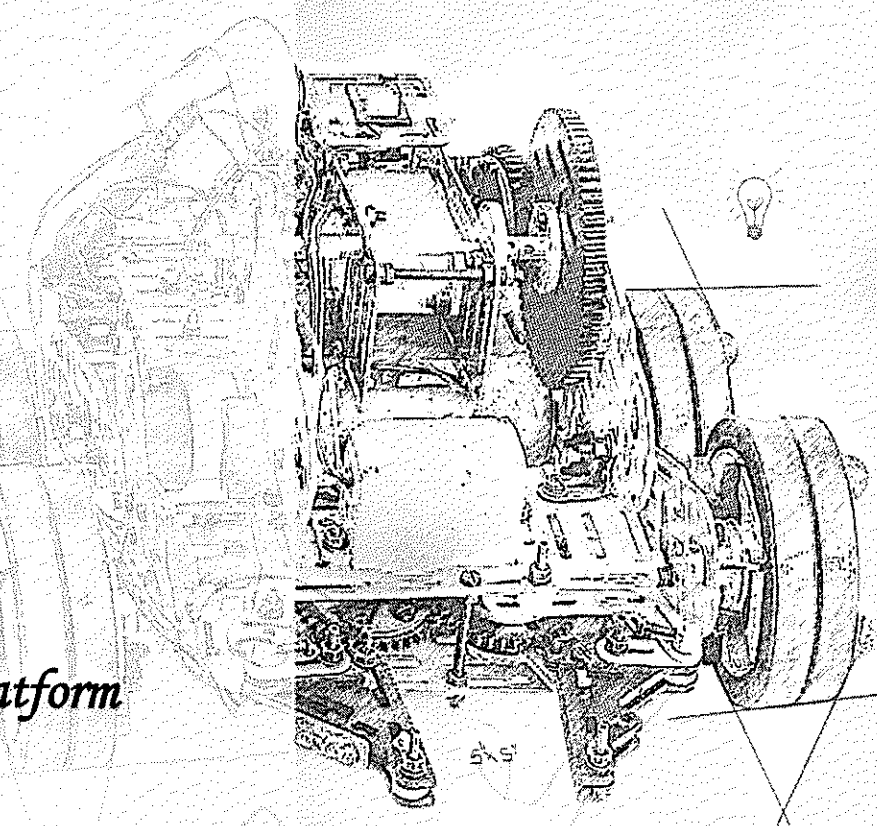
📅 Date *24.07.2021* 📍 Location *Online Digital Platform*

Certificate No. *20210143*

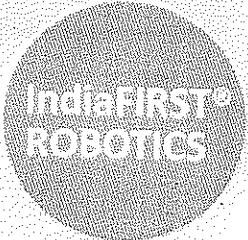

Vinay Kunwar
Founder-Director
IndiaFIRST® Robotics,
Pune




Principal
Vishwaniketan's (I MEET)



IndiaFIRST® ROBOTICS



This is to certify that

Patil Shreyas Nitin

has successfully completed an exciting and innovation STEM Education program on

AI and ML

with Grade

A

and has been awarded *Jr. Robotics Engineer*

We wish him/her a successful career in
Science, Technology, Engineering & Mathematics in future.

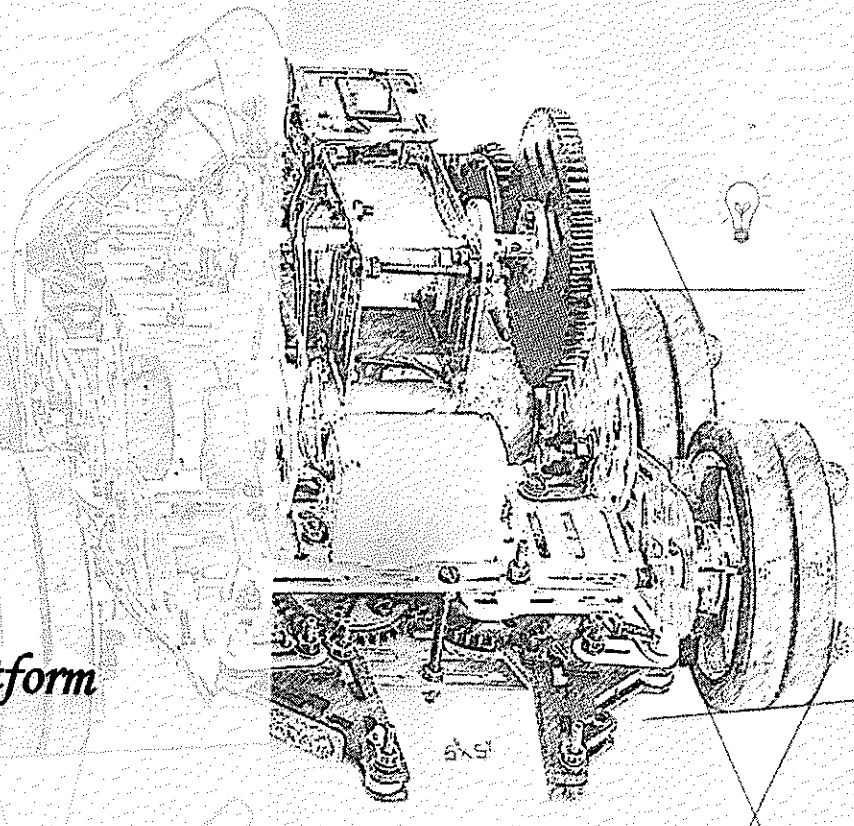
Date *24.07.2021*



Location

Online Digital Platform

Certificate No. *20210142*



Vinay Kunwar
Vinay Kunwar
Founder-Director
IndiaFIRST® Robotics,
Pune



TRUE COPY



H.P.
Principal
Vishwaniketan's (I MEET)

IndiaFIRST® ROBOTICS

IndiaFIRST®
ROBOTICS

This is to certify that

Patil Rashmi Sambhaji

has successfully completed an exciting and innovation STEM Education program on

AI and ML

with Grade *A*

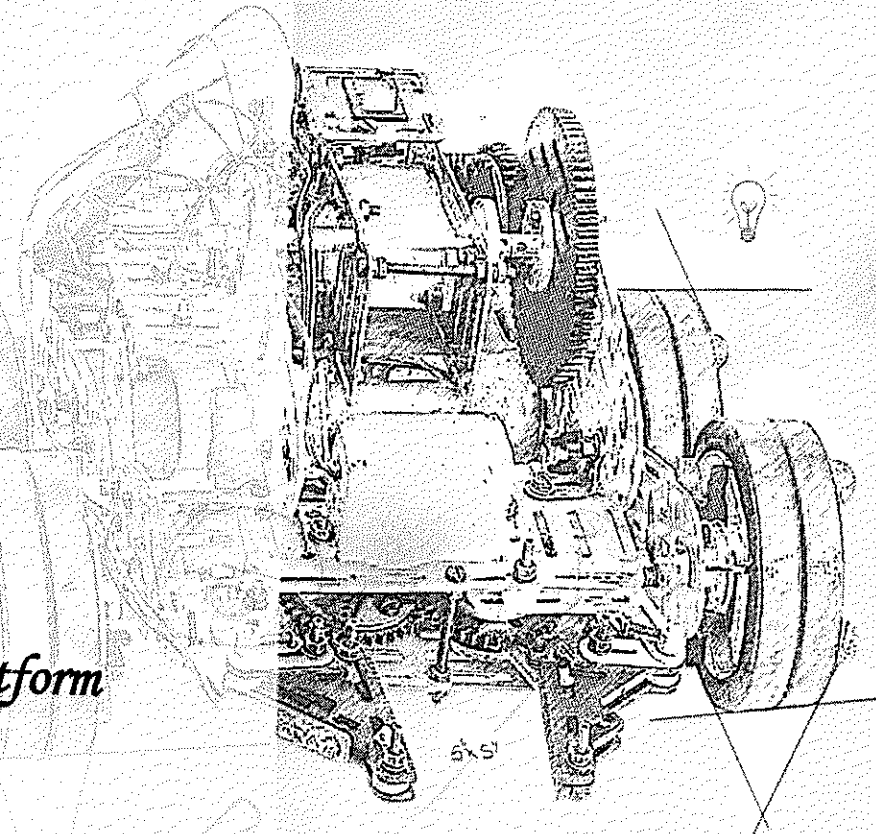
and has been awarded *Jr. Robotics Engineer*

We wish him/her a successful career in
Science, Technology, Engineering & Mathematics in future.

Date *24.07.2021*

Location *Online Digital Platform*

Certificate No. *20210141*



Vinay Kunwar
Vinay Kunwar
Founder-Director
IndiaFIRST®Robotics,
Pune



VISHWANIKETAN
TRUE COPY



[Signature]
Principal
Vishwaniketan's (I MEET)

IndiaFIRST® ROBOTICS

IndiaFIRST®
ROBOTICS



This is to certify that

Ganesh Sapani

has successfully completed an exciting and innovation STEM Education program on

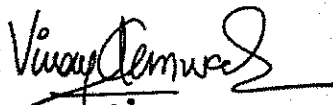
AI and ML with Grade *A*

and has been awarded *Jr. Robotics Engineer*

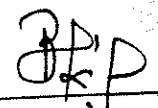
We wish him/her a successful career in
Science, Technology, Engineering & Mathematics in future.

Date *24.07.2021* Location *Online Digital Platform*

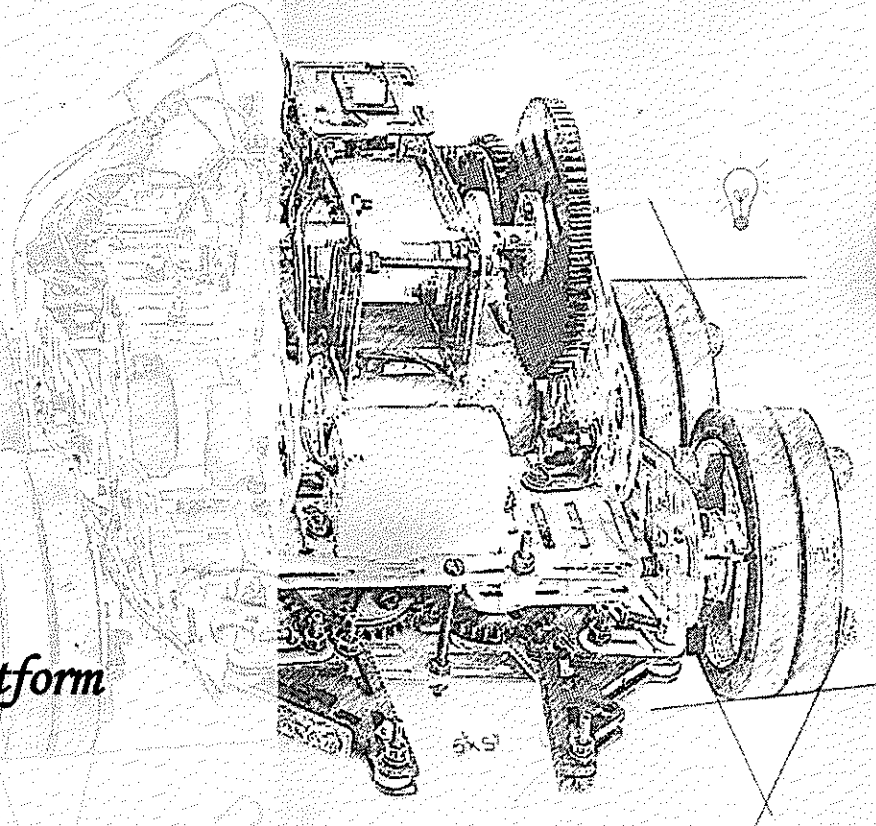
Certificate No. *20210146*


Vinay Kunwar
Founder-Director
IndiaFIRST® Robotics,
Pune

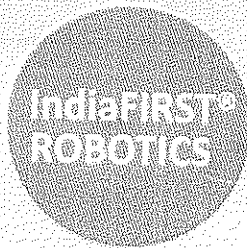



Principal
Vishwaniketan's (I MEET)

TRUE COPY



IndiaFIRST® ROBOTICS



This is to certify that

Salunke Shubham Sanjay

has successfully completed an exciting and innovation STEM Education program on

AI and ML

with Grade

A

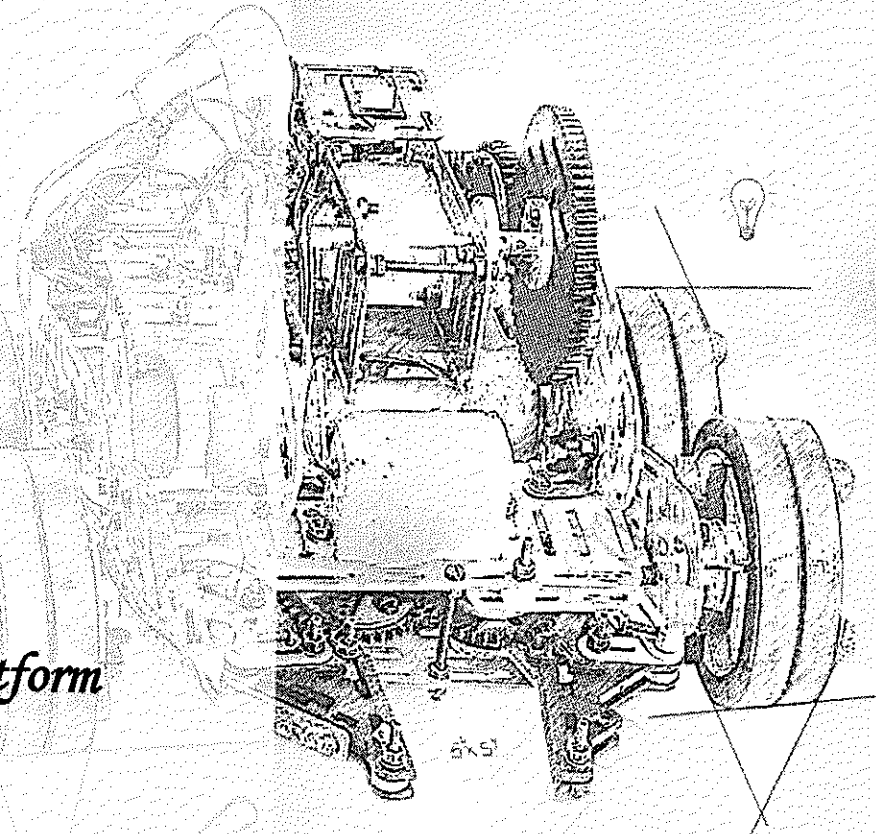
and has been awarded *Jr. Robotics Engineer*


We wish him/her a successful career in
Science, Technology, Engineering & Mathematics in future.

 Date *24.07.2021*

 Location *Online Digital Platform*

Certificate No. *20210145*

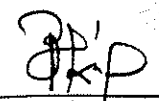



Vinay Kunwar
Founder-Director
IndiaFIRST® Robotics,
Pune



VISHWANIKETAN
TRUE COPY




Principal
Vishwaniketan's (I MEET)

IndiaFIRST® ROBOTICS

IndiaFIRST®
ROBOTICS

This is to certify that

Peerzade Sahebraju Noorpasha

has successfully completed an exciting and innovation STEM Education program on


AI and ML with Grade *A*

and has been awarded *Jr. Robotics Engineer*


We wish him/her a successful career in
Science, Technology, Engineering & Mathematics in future.

Date *24.07.2021* Location *Online Digital Platform*

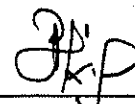
Certificate No. *20210144*

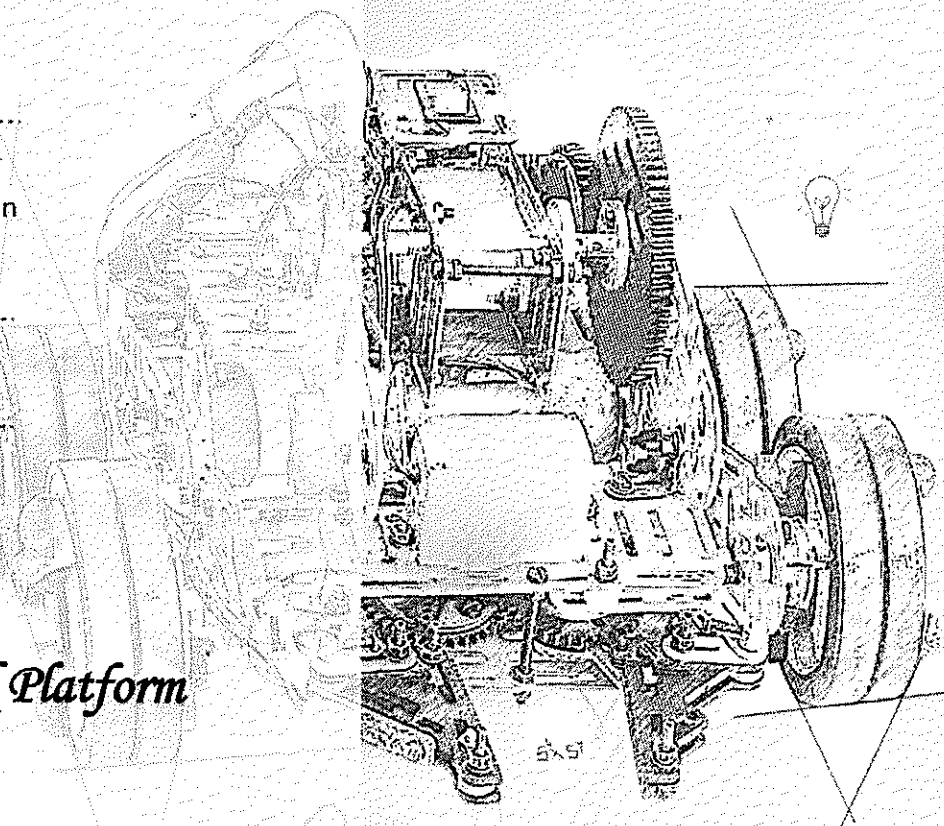

Vinay Kunwar
Founder-Director
IndiaFIRST® Robotics,
Pune


IndiaFIRST®
ROBOTICS


VISHWANIKETAN
TRUE COPY


Vishwaniketan IMET
E.N. 3467


Principal
Vishwaniketan's (I MEET)



IndiaFIRST® ROBOTICS

IndiaFIRST®
ROBOTICS

This is to certify that

Vaidya Mayuresh Satish

has successfully completed an exciting and innovation STEM Education program on

AI and ML

with Grade

A

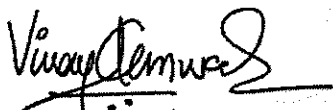
and has been awarded *Jr. Robotics Engineer*

We wish him/her a successful career in
Science, Technology, Engineering & Mathematics in future.

Date *24.07.2021*

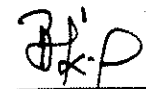
Location *Online Digital Platform*

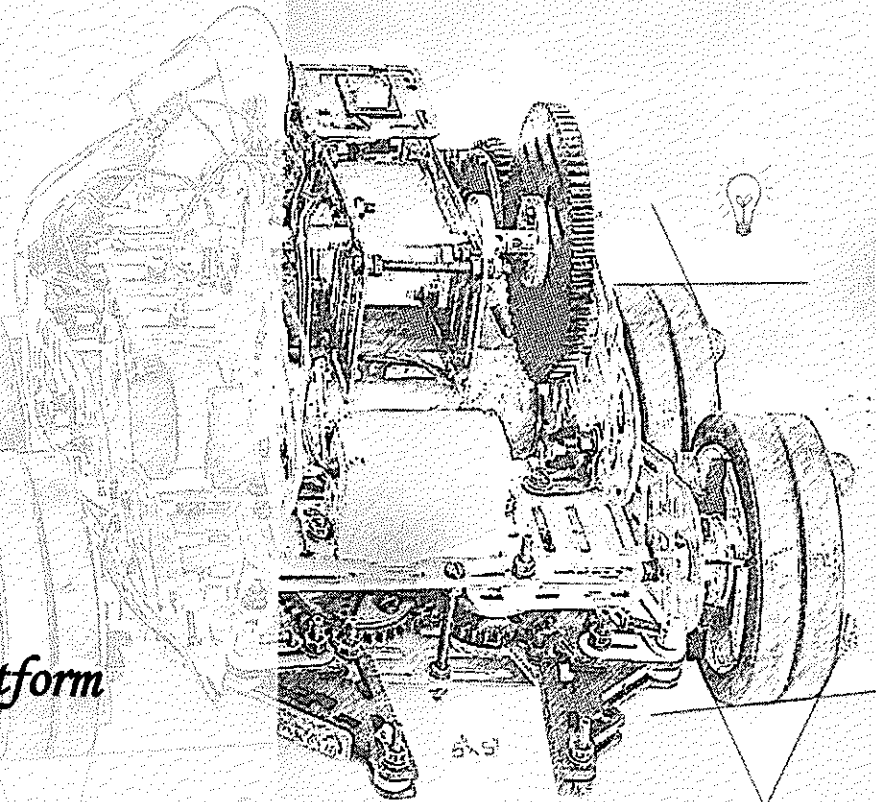
Certificate No. *20210151*


Vinay Kunwar
Founder-Director
IndiaFIRST® Robotics,
Pune


IndiaFIRST®
ROBOTICS TRUE COPY
VISHWANIKETAN




Principal
Vishwaniketan's



IndiaFIRST® ROBOTICS

IndiaFIRST®
ROBOTICS



This is to certify that

Thakur Atul Muneem Singh

has successfully completed an exciting and innovation STEM Education program on

AI and ML with Grade *A*

and has been awarded *Jr. Robotics Engineer*

We wish him/her a successful career in
Science, Technology, Engineering & Mathematics in future.

Date *24.07.2021* Location *Online Digital Platform*

Certificate No. *20210150*

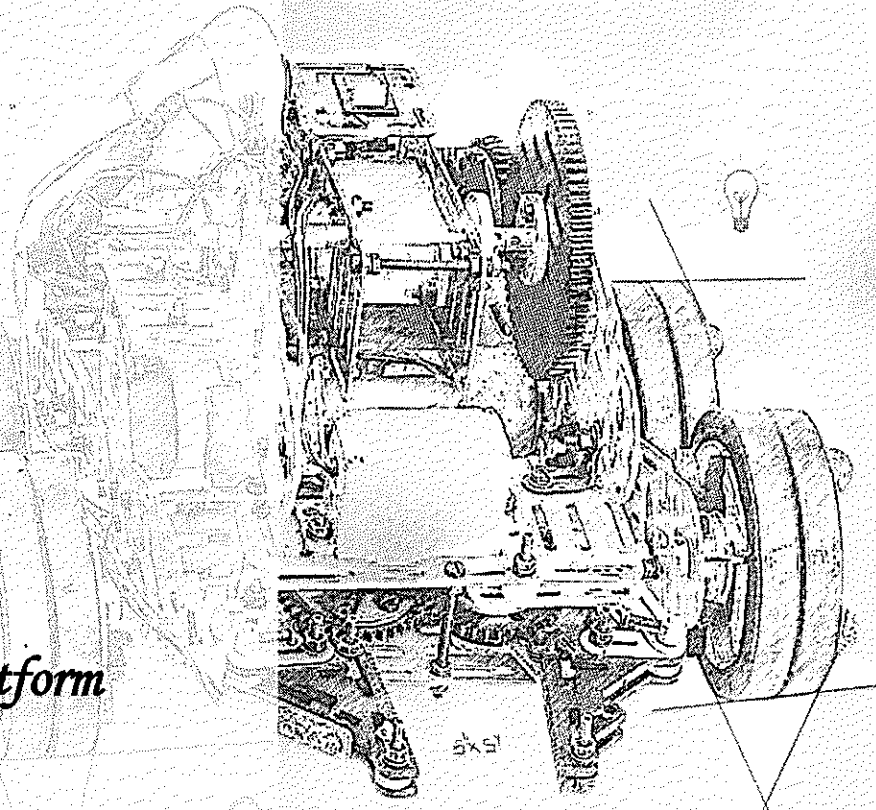
Vinay Kunwar
Vinay Kunwar
Founder-Director
IndiaFIRST® Robotics,
Pune



TRUE COPY



[Signature]
Principal
Vishwaniketan's (I MEET)



IndiaFIRST® ROBOTICS

IndiaFIRST®
ROBOTICS



5x5

This is to certify that

Singh Rahulkumar Vinay

has successfully completed an exciting and innovation STEM Education program on


AI and ML

with Grade

A

and has been awarded *Jr. Robotics Engineer*

We wish him/her a successful career in
Science, Technology, Engineering & Mathematics in future.

 Date *24.07.2021*

 Location *Online Digital Platform*

Certificate No. *20210149*

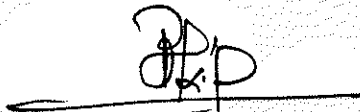
Vinay Kunwar
Founder-Director
IndiaFIRST® Robotics,
Pune

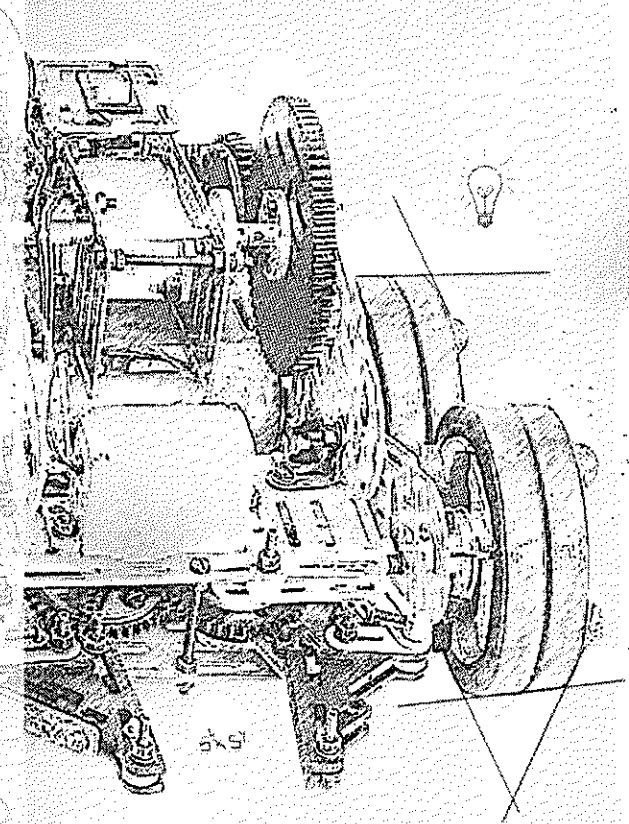

IndiaFIRST®
ROBOTICS


VISHWANIKETAN

TRUE COPY




Principal
Vishwaniketan's (I MEET)



IndiaFIRST® ROBOTICS

IndiaFIRST®
ROBOTICS

This is to certify that

Shingare Omkar Machindra

has successfully completed an exciting and innovation STEM Education program on

AI and ML

with Grade *A*


and has been awarded *Jr. Robotics Engineer*

We wish him/her a successful career in
Science, Technology, Engineering & Mathematics in future.

Date *24.07.2021*

Location *Online Digital Platform*

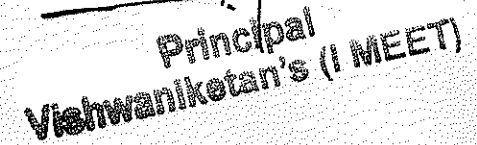
Certificate No. *20210148*

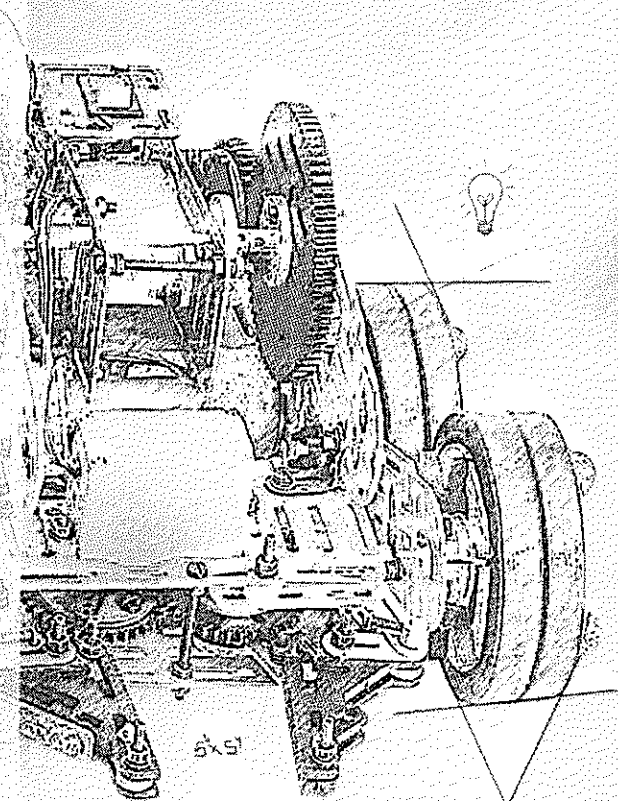

Vinay Kunwar
Founder-Director
IndiaFIRST® Robotics,
Pune


IndiaFIRST®
ROBOTICS


VISHWANIKETAN
TRUE COPY




Principal
Vishwaniketan's (I MET)



IndiaFIRST® ROBOTICS

IndiaFIRST®
ROBOTICS

This is to certify that

Shah Anish Ankush


has successfully completed an exciting and innovation STEM Education program on

AI and ML

with Grade *A*


and has been awarded *Jr. Robotics Engineer*

We wish him/her a successful career in
Science, Technology, Engineering & Mathematics in future.

 Date *24.07.2021*

 Location *Online Digital Platform*

Certificate No. *20210147*

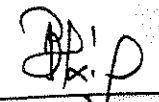

Vinay Kunwar
Founder-Director
IndiaFIRST® Robotics,
Pune

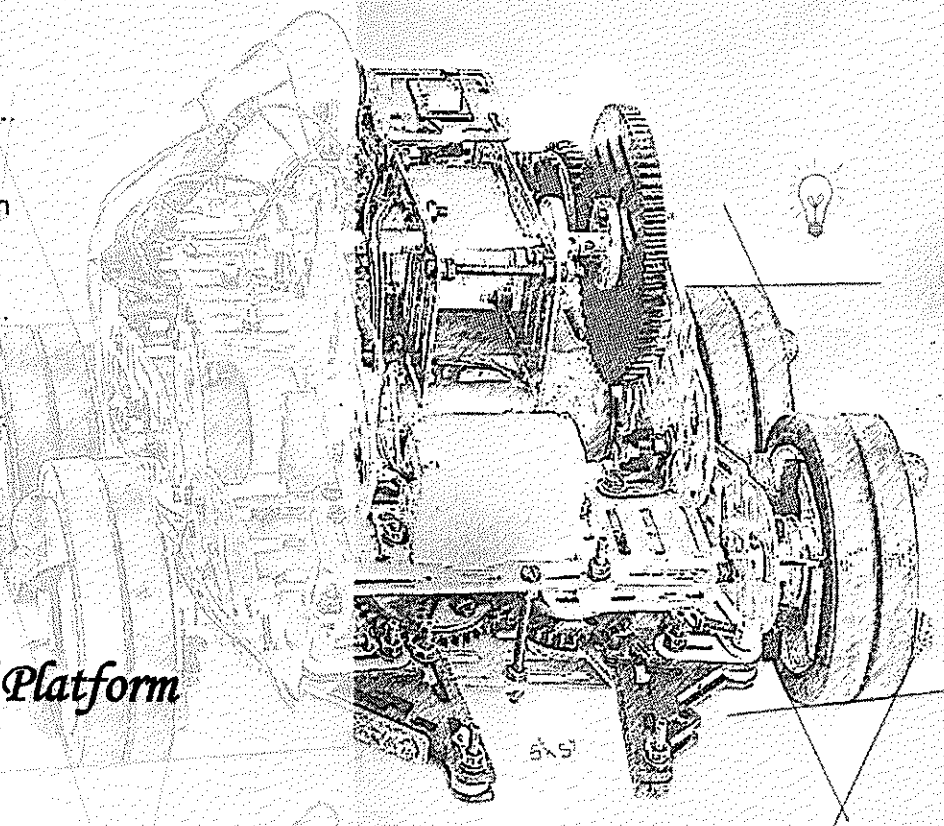

IndiaFIRST®
ROBOTICS



TRUE COPY
VISHWANIKETAN




Principal
Vishwaniketan's (IMET)



IndiaFIRST® ROBOTICS

IndiaFIRST®
ROBOTICS

This is to certify that

Yele Hanumantrao Tukaram

has successfully completed an exciting and innovation STEM Education program on


AI and ML with Grade *A*

and has been awarded *Jr. Robotics Engineer*

We wish him/her a successful career in
Science, Technology, Engineering & Mathematics in future.

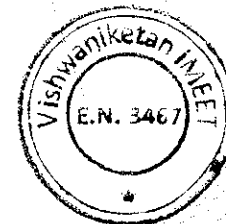
📅 Date *24.07.2021* 📍 Location *Online Digital Platform*


Certificate No. *20210153*


Vinay Kunwar
Founder-Director
IndiaFIRST® Robotics,
Pune

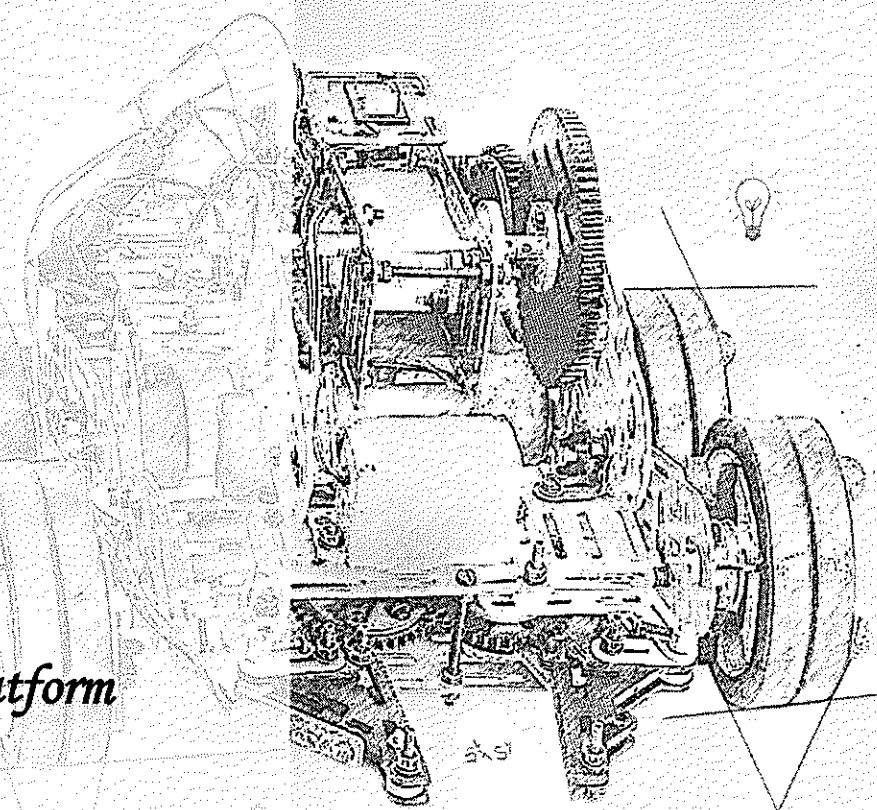

IndiaFIRST®
ROBOTICS


VISHWANIKETAN

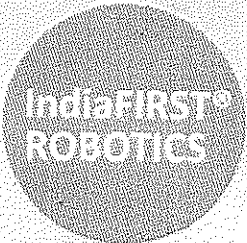



Principal
Vishwaniketan's (I MEET)

TRUE COPY



IndiaFIRST® ROBOTICS



This is to certify that

Patil Abhinav Prakash

has successfully completed an exciting and innovation STEM Education program on

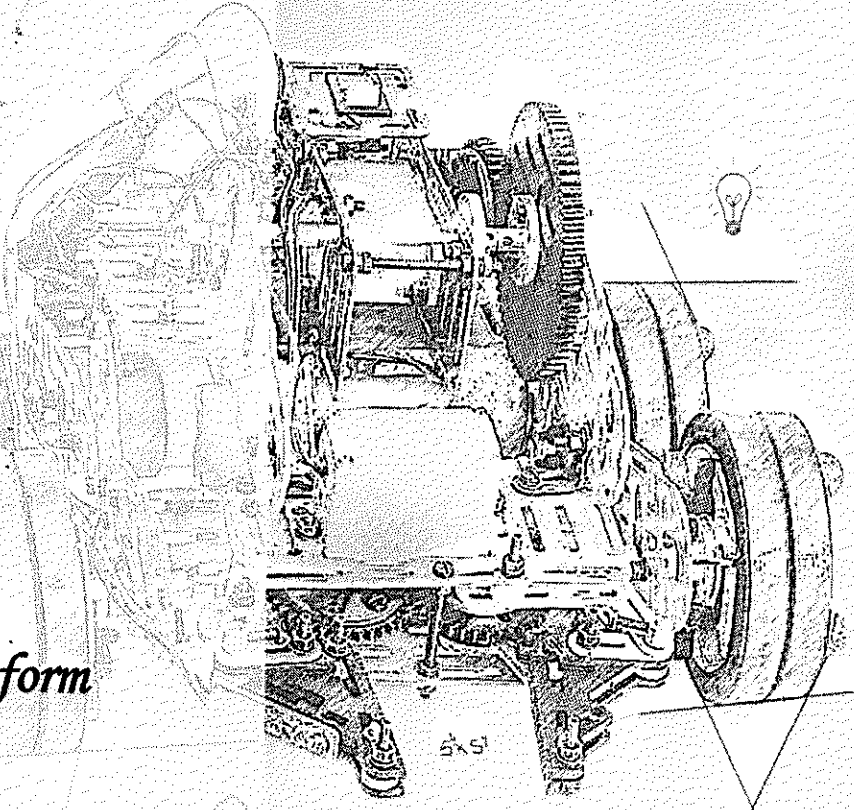
AI and ML with Grade *A*

and has been awarded *Jr. Robotics Engineer*

We wish him/her a successful career in Science, Technology, Engineering & Mathematics in future.

Date *24.07.2021* Location *Online Digital Platform*

Certificate No. *20210176*



Vinay Kunwar
Vinay Kunwar
Founder-Director
IndiaFIRST® Robotics,
Pune



TRUE COPY



J.P.
Principal
Vishwaniketan's (I MEET)

IndiaFIRST® ROBOTICS

IndiaFIRST®
ROBOTICS

This is to certify that

Patil Pradnyesh Bhushan

has successfully completed an exciting and innovation STEM Education program on

AI and ML


with Grade

A

and has been awarded

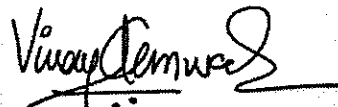
Jr. Robotics Engineer

We wish him/her a successful career in
Science, Technology, Engineering & Mathematics in future.

 Date *24.07.2021*

 Location *Online Digital Platform*

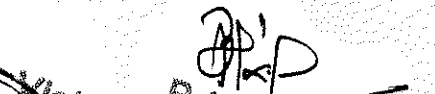
Certificate No. *20210178*

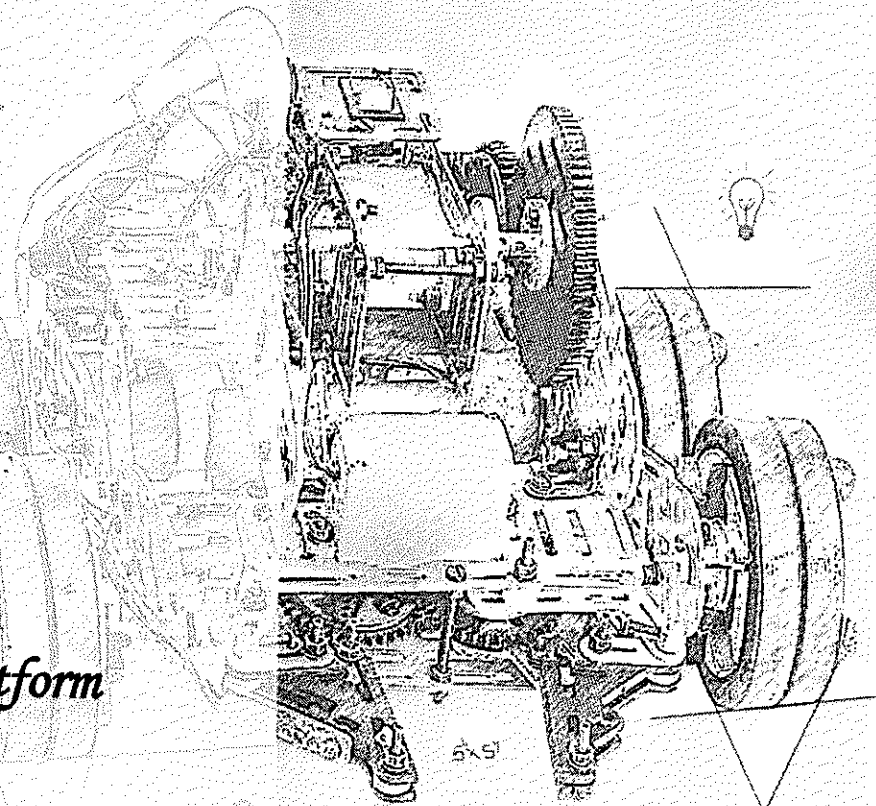

Vinay Kunwar
Founder-Director
IndiaFIRST® Robotics,
Pune


IndiaFIRST®
ROBOTICS

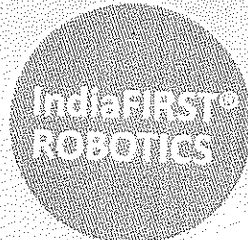

TRUE COPY


Vishwaniketan (I MET)
E.N. 3467


Principal
Vishwaniketan's (I MEET)



IndiaFIRST® ROBOTICS



This is to certify that

Singh Aashu Rabindra

has successfully completed an exciting and innovation STEM Education program on

AI and ML with Grade *A*

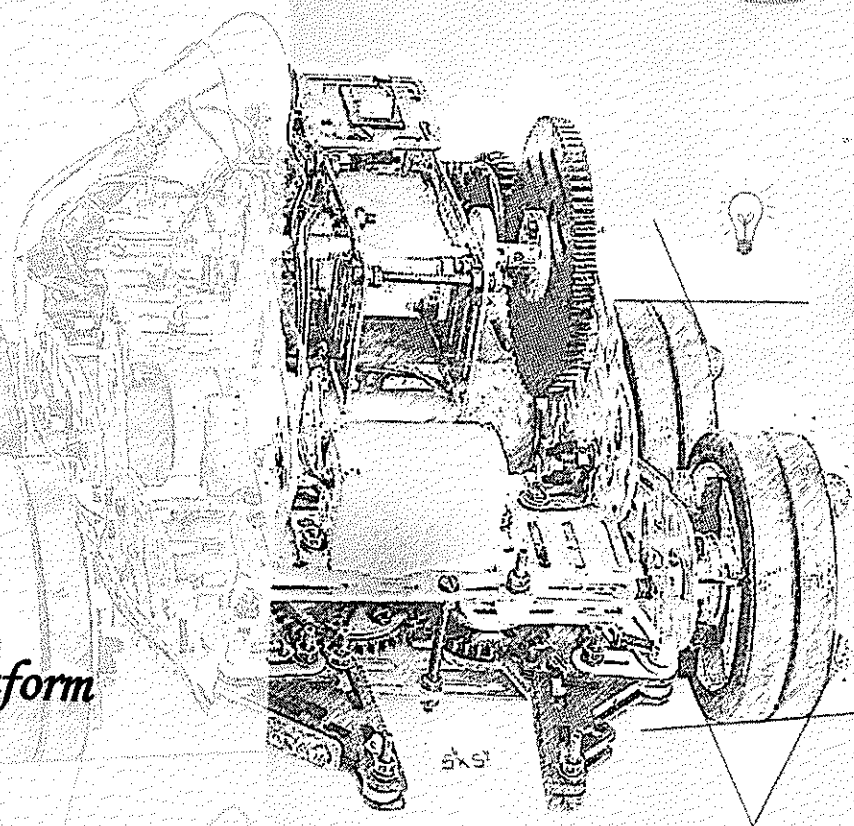
and has been awarded *Jr. Robotics Engineer*

We wish him/her a successful career in
Science, Technology, Engineering & Mathematics in future.

📅 Date *24.07.2021*

📍 Location *Online Digital Platform*

Certificate No. *20210194*



Vinay Kunwar
Vinay Kunwar
Founder-Director
IndiaFIRST® Robotics,
Pune



[Signature]
Principal
Vishwaniketan's (I MEET)

TRUE COPY

IndiaFIRST® ROBOTICS

IndiaFIRST®
ROBOTICS

This is to certify that

B Ravikishor

has successfully completed an exciting and innovation STEM Education program on

AI and ML

with Grade

A


and has been awarded *Jr. Robotics Engineer*

We wish him/her a successful career in
Science, Technology, Engineering & Mathematics in future.

Date *24.07.2021*

Location *Online Digital Platform*

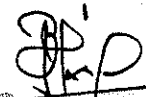
Certificate No. *20210203*


Vinay Kunwar
Founder-Director
IndiaFIRST® Robotics,
Pune

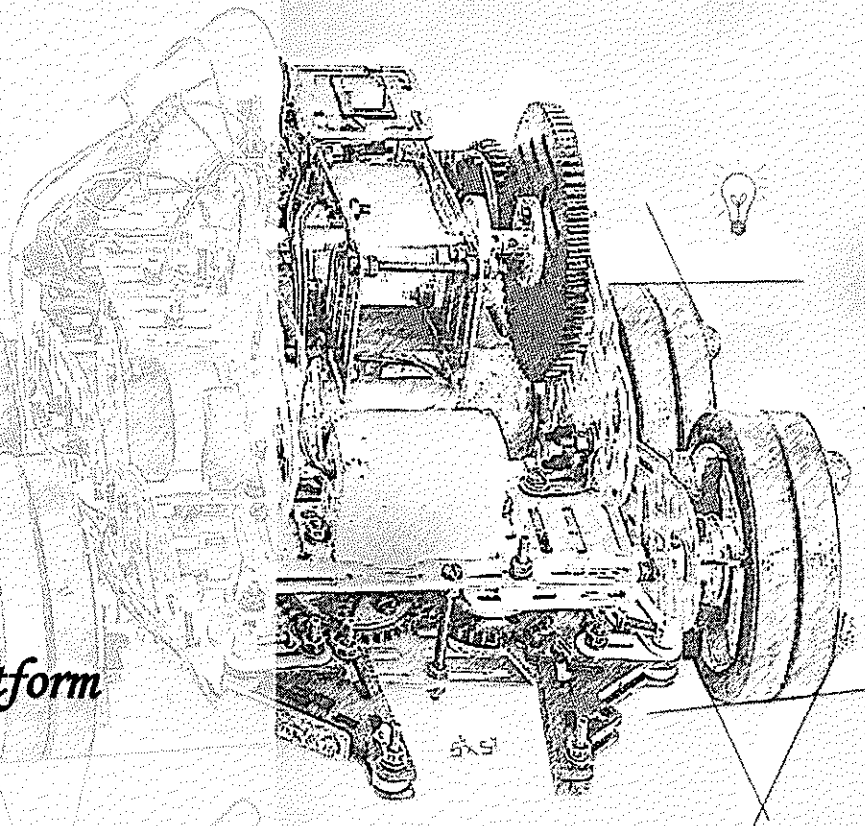

IndiaFIRST®
ROBOTICS


VISHWANIKETAN




Principal
Vishwaniketan's (I MEET)

TRUE COPY



IndiaFIRST® ROBOTICS

IndiaFIRST®
ROBOTICS

This is to certify that

Khutle Swapnali Subhash

has successfully completed an exciting and innovation STEM Education program on

AI and ML

with Grade

A

and has been awarded *Jr. Robotics Engineer*

We wish him/her a successful career in
Science, Technology, Engineering & Mathematics in future.

Date *24.07.2021*

Location *Online Digital Platform*

Certificate No. *20210202*

TRUE COPY

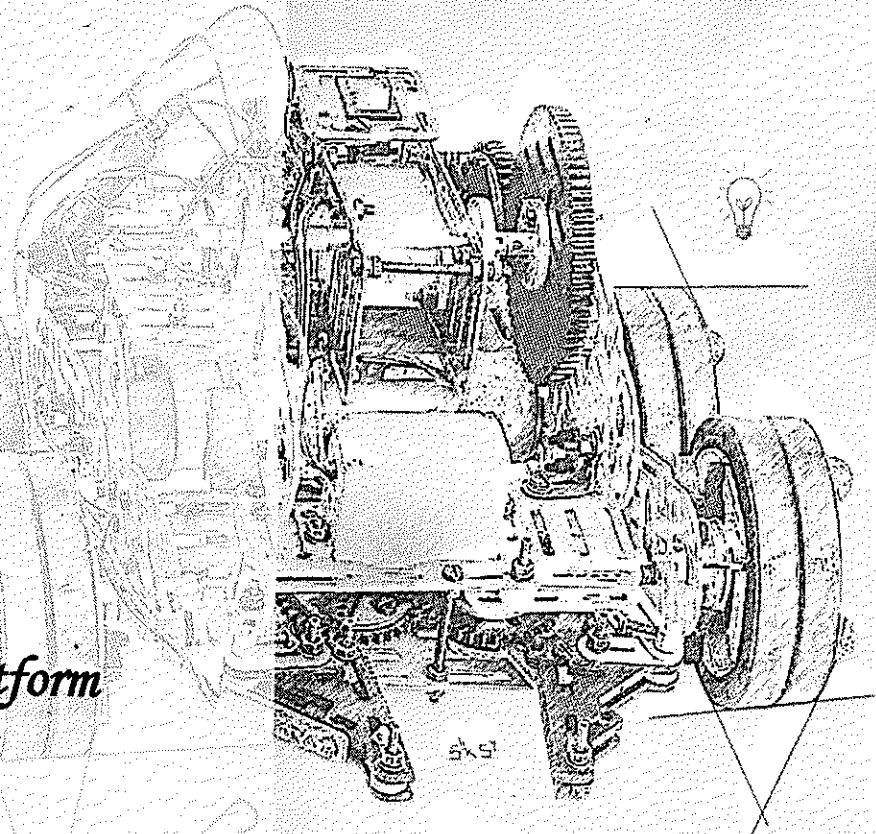
Vinay Kunwar
Vinay Kunwar
Founder-Director
IndiaFIRST® Robotics,
Pune


IndiaFIRST®
ROBOTICS

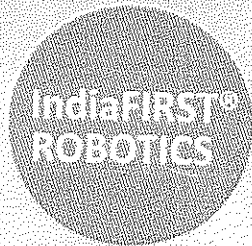

VISHWANIKETAN



[Signature]
Principal
Vishwaniketan's (I MEET)



IndiaFIRST® ROBOTICS



This is to certify that

Patil Piyush Naresh

has successfully completed an exciting and innovation STEM Education program on

AI and ML

with Grade

A

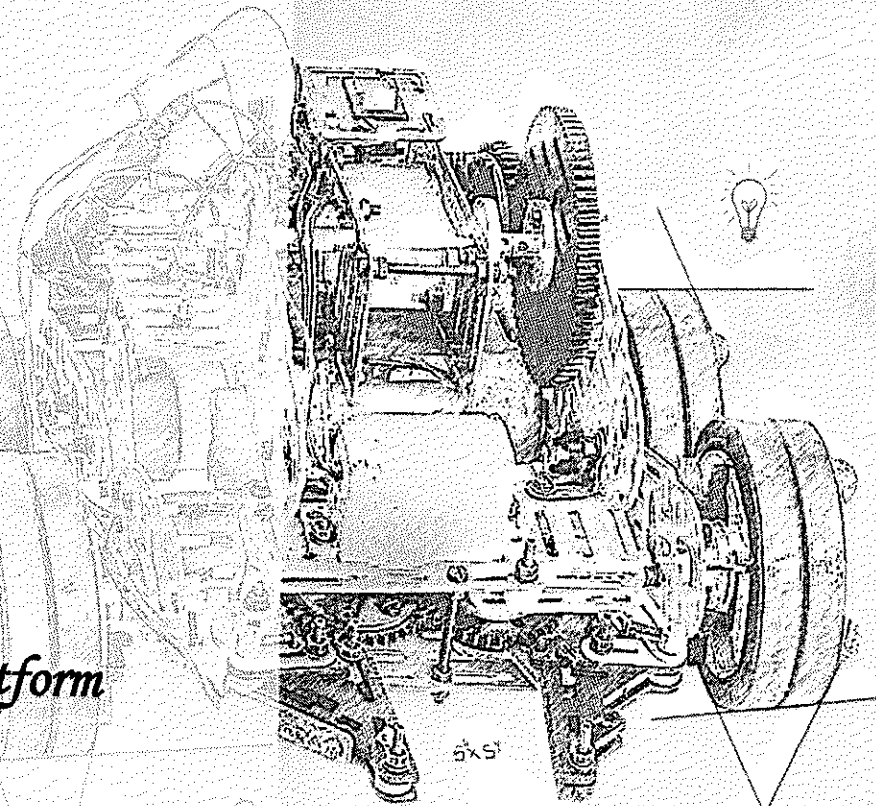
and has been awarded *Jr. Robotics Engineer*

We wish him/her a successful career in
Science, Technology, Engineering & Mathematics in future.

Date *24.07.2021*

Location *Online Digital Platform*

Certificate No. *20210201*



Vinay Kunwar
Vinay Kunwar
Founder-Director
IndiaFIRST® Robotics,
Pune



[Signature]
Principal
Vishwaniketan's (I MEET)

TRUE COPY

IndiaFIRST® ROBOTICS

IndiaFIRST®
ROBOTICS

This is to certify that

Navaneeth Harivikas Kommu

has successfully completed an exciting and innovation STEM Education program on

AI and ML

with Grade

A


and has been awarded *Jr. Robotics Engineer*

We wish him/her a successful career in
Science, Technology, Engineering & Mathematics in future.

📅 Date *24.07.2021*

📍 Location *Online Digital Platform*

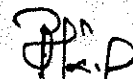
Certificate No. *20210200*


Vinay Kunwar
Founder-Director
IndiaFIRST® Robotics,
Pune

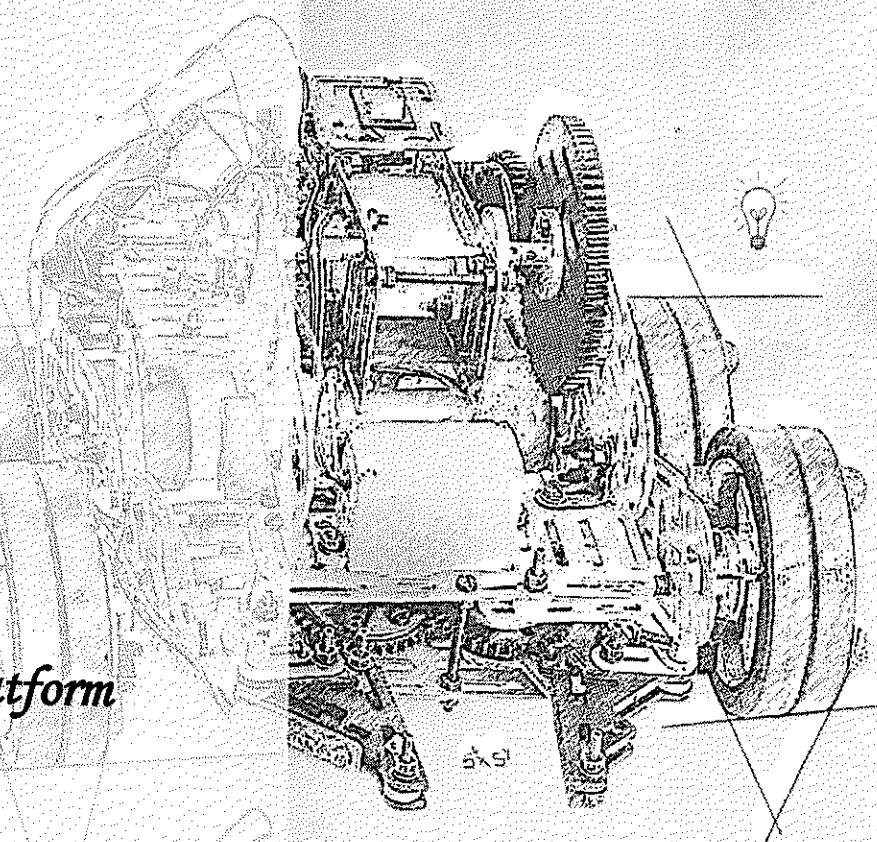

IndiaFIRST®
ROBOTICS


VISHWANIKETAN

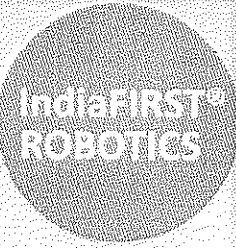



Principal
Vishwaniketan's (I MEET)

TRUE COPY



IndiaFIRST® ROBOTICS



This is to certify that

Kurne Mrunali Ganpat

has successfully completed an exciting and innovation STEM Education program on

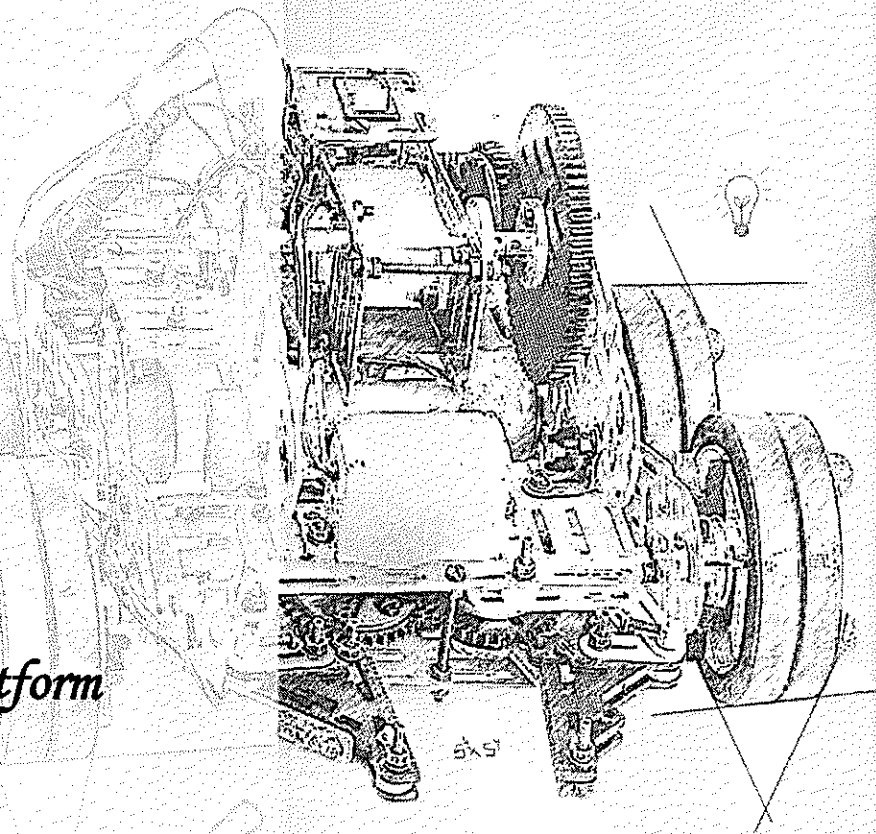
AI and ML with Grade *A*

and has been awarded *Jr. Robotics Engineer*

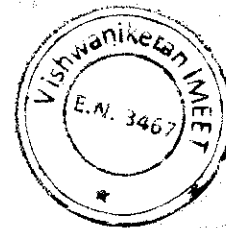
We wish him/her a successful career in
Science, Technology, Engineering & Mathematics in future.

Date *24.07.2021* Location *Online Digital Platform*

Certificate No. *20210199*



Vinay Kunwar
Vinay Kunwar
Founder-Director
IndiaFIRST® Robotics,
Pune



J.K.P.
Principal
Vishwaniketan's (I.MEET)

TRUE COPY

IndiaFIRST® ROBOTICS

IndiaFIRST®
ROBOTICS

This is to certify that

Chavan Shreepad Ravindra

has successfully completed an exciting and innovation STEM Education program on

AI and ML

with Grade

A

and has been awarded *Jr. Robotics Engineer*

We wish him/her a successful career in
Science, Technology, Engineering & Mathematics in future.

Date *24.07.2021*



Location *Online Digital Platform*

Certificate No. *20210158*

Vinay Kunwar
Founder-Director
IndiaFIRST® Robotics,
Pune

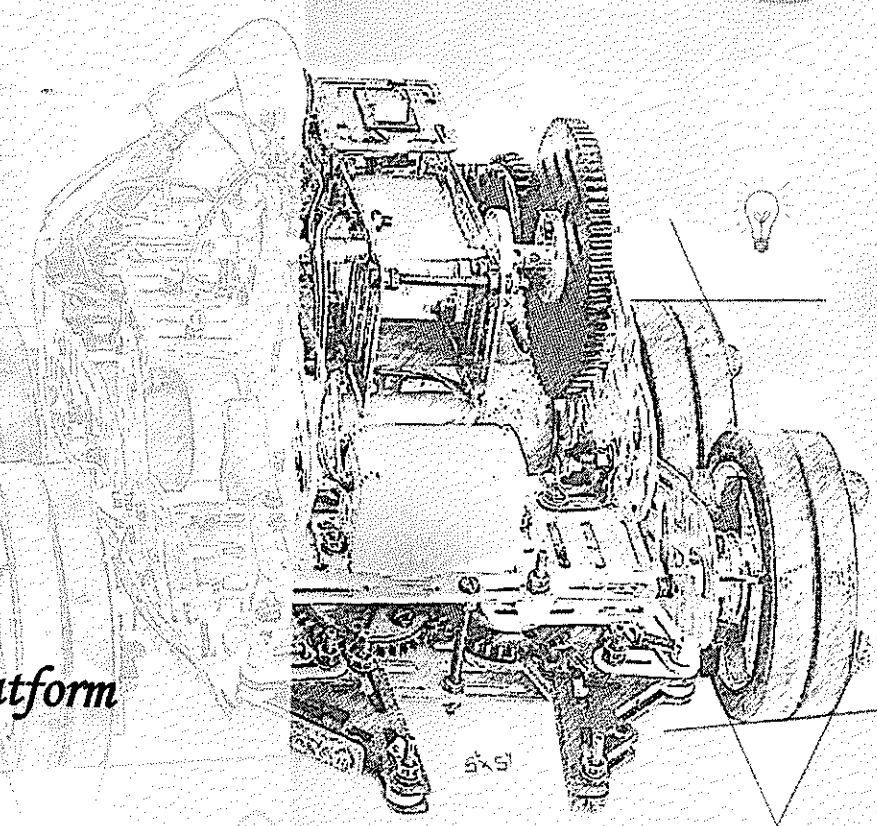
IndiaFIRST®
ROBOTICS

VISHWANIKETAN

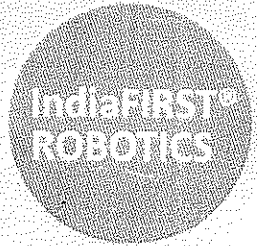


Principal
Vishwaniketan's (IMET)

TRUE COPY



IndiaFIRST® ROBOTICS



This is to certify that

Bhoir Prachi Mahesh

has successfully completed an exciting and innovation STEM Education program on

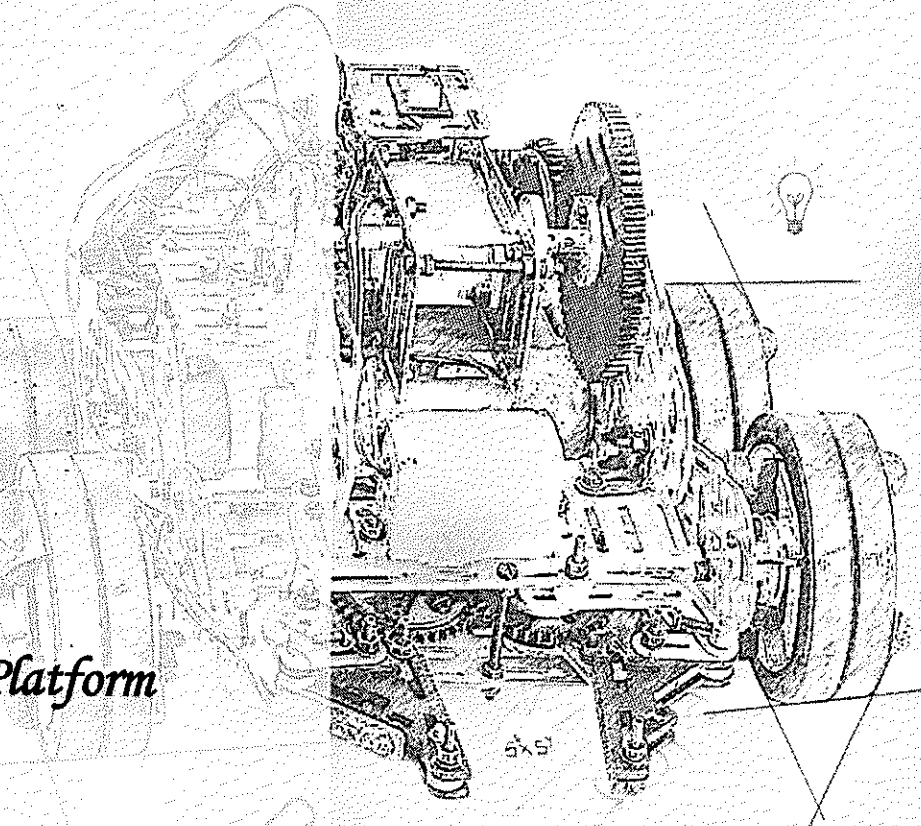
AI and ML with Grade *A*

and has been awarded *Jr. Robotics Engineer*

We wish him/her a successful career in
Science, Technology, Engineering & Mathematics in future.

Date *24.07.2021* Location *Online Digital Platform*

Certificate No. *20210156*



Vinay Kunwar
Vinay Kunwar
Founder-Director
IndiaFIRST® Robotics,
Pune



J.P.
Principal
Vishwaniketan's (I MEET)

TRUE COPY

IndiaFIRST® ROBOTICS

IndiaFIRST®
ROBOTICS

This is to certify that

Chitnis Shreyas Girish

has successfully completed an exciting and innovation STEM Education program on

AI and ML

with Grade

A

and has been awarded


Jr. Robotics Engineer

We wish him/her a successful career in
Science, Technology, Engineering & Mathematics in future.

Date *24.07.2021*

Location *Online Digital Platform*

Certificate No. *20210160*


Vinay Kunwar
Founder-Director
IndiaFIRST® Robotics,
Pune

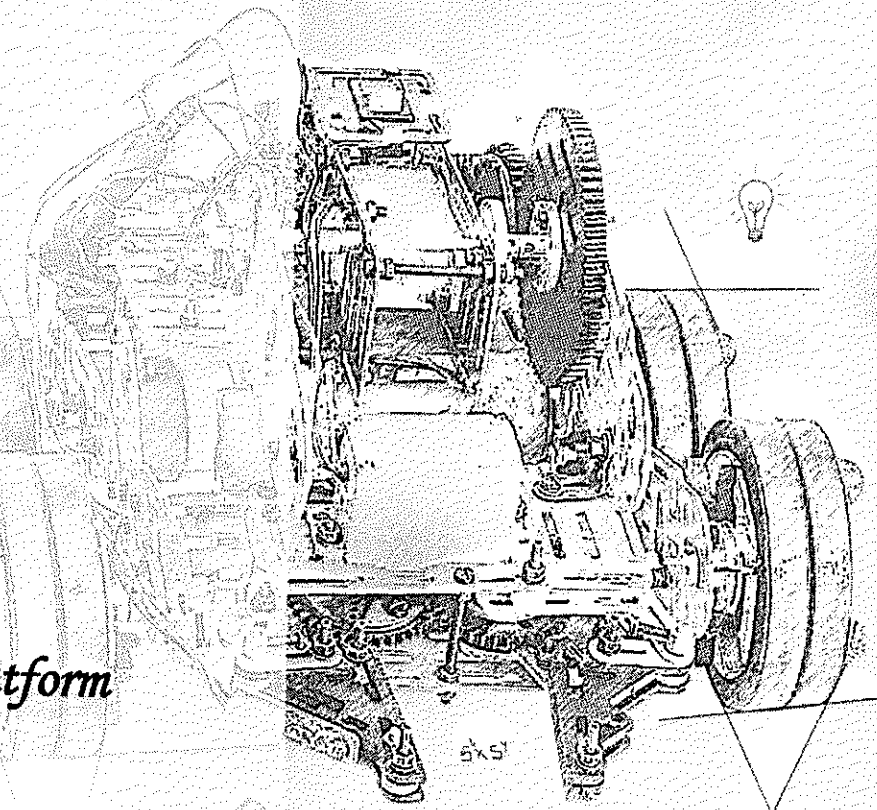

IndiaFIRST®
ROBOTICS


VISHWANIKETAN




Principal
Vishwaniketan

TRUE COPY



IndiaFIRST® ROBOTICS

IndiaFIRST®
ROBOTICS



This is to certify that

Choudhary Nikhil Kumar Shivshankar

has successfully completed an exciting and innovation STEM Education program on

AI and ML

with Grade

A


and has been awarded *Jr. Robotics Engineer*

We wish him/her a successful career in
Science, Technology, Engineering & Mathematics in future.

📅 Date *24.07.2021*

📍 Location *Online Digital Platform*

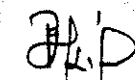
Certificate No. *20210161*


Vinay Kunwar
Founder-Director
IndiaFIRST® Robotics,
Pune

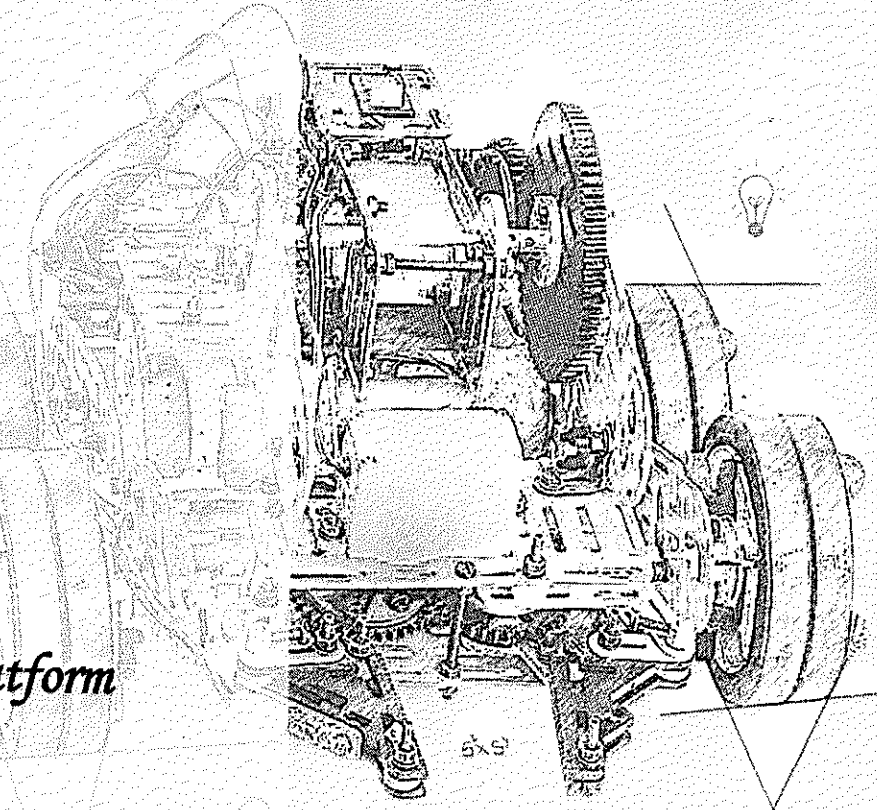

IndiaFIRST®
ROBOTICS


VISHWANIKETAN




Principal
Vishwaniketan's (I MEET)

TRUE COPY



IndiaFIRST® ROBOTICS

IndiaFIRST®
ROBOTICS

This is to certify that

Deshpande Harsh Ashutosh

has successfully completed an exciting and innovation STEM Education program on

AI and ML

with Grade

A


and has been awarded *Jr. Robotics Engineer*

We wish him/her a successful career in
Science, Technology, Engineering & Mathematics in future.

Date *24.07.2021*

Location *Online Digital Platform*

Certificate No. *20210162*



Vinay Kunwar
Founder-Director
IndiaFIRST® Robotics,
Pune

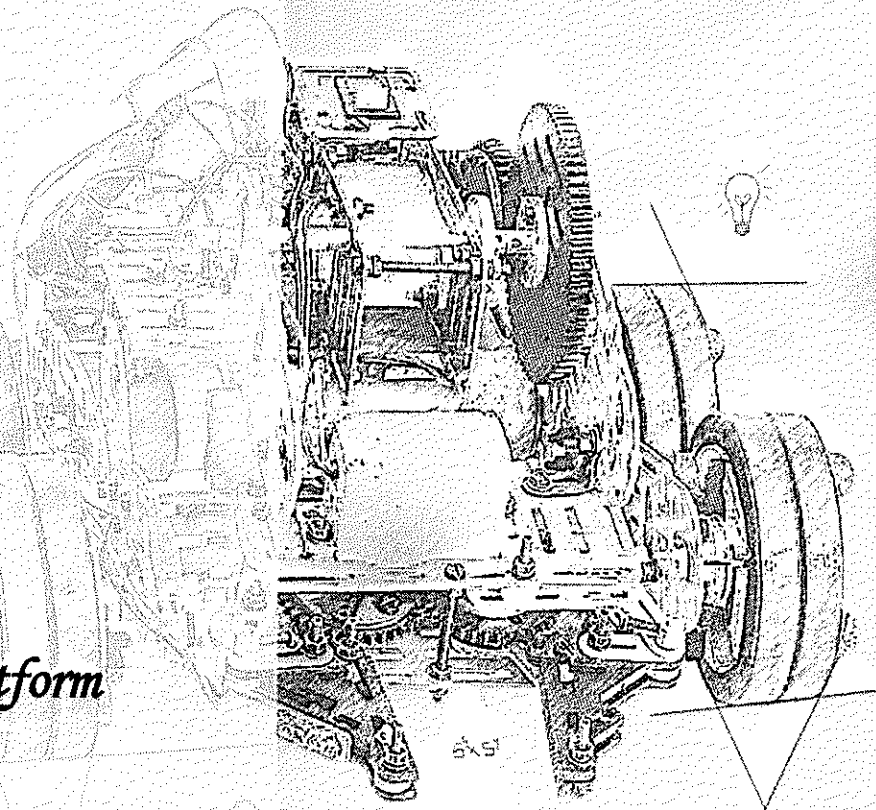

IndiaFIRST®
ROBOTICS


VISHWANIKETAN

TRUE COPY




Principal
Vishwaniketan's (I MEET)



IndiaFIRST® ROBOTICS

IndiaFIRST®
ROBOTICS

This is to certify that

Mhatre Yash Keshav

has successfully completed an exciting and innovation STEM Education program on

AI and ML

with Grade *A*

and has been awarded *Jr. Robotics Engineer*

We wish him/her a successful career in
Science, Technology, Engineering & Mathematics in future.

Date *24.07.2021*

Location *Online Digital Platform*

Certificate No. *20210172*

Vinay Kunwar
Vinay Kunwar
Founder-Director
IndiaFIRST® Robotics,
Pune

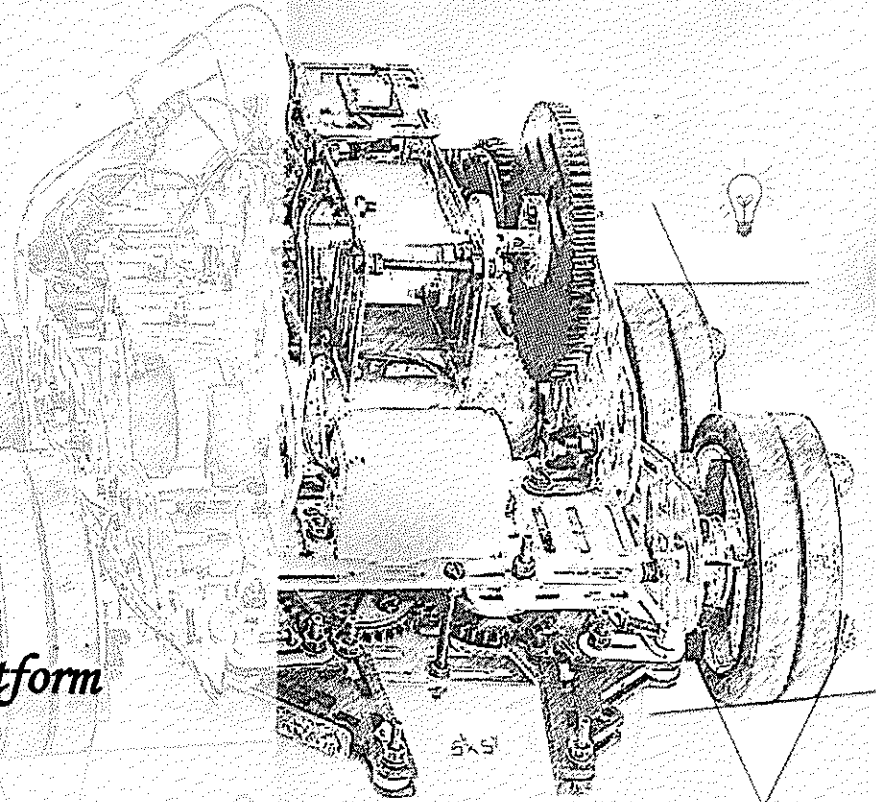

IndiaFIRST®
ROBOTICS


VISHWANIKETAN

TRUE COPY



J.K.P.
Principal
Vishwaniketan's (I MEET)



IndiaFIRST® ROBOTICS

IndiaFIRST®
ROBOTICS



This is to certify that

Khare Aditya Ajay

has successfully completed an exciting and innovation STEM Education program on

AI and ML

with Grade *A*

and has been awarded *Jr. Robotics Engineer*

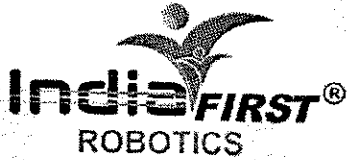
We wish him/her a successful career in
Science, Technology, Engineering & Mathematics in future.

📅 Date *24.07.2021*

📍 Location *Online Digital Platform*

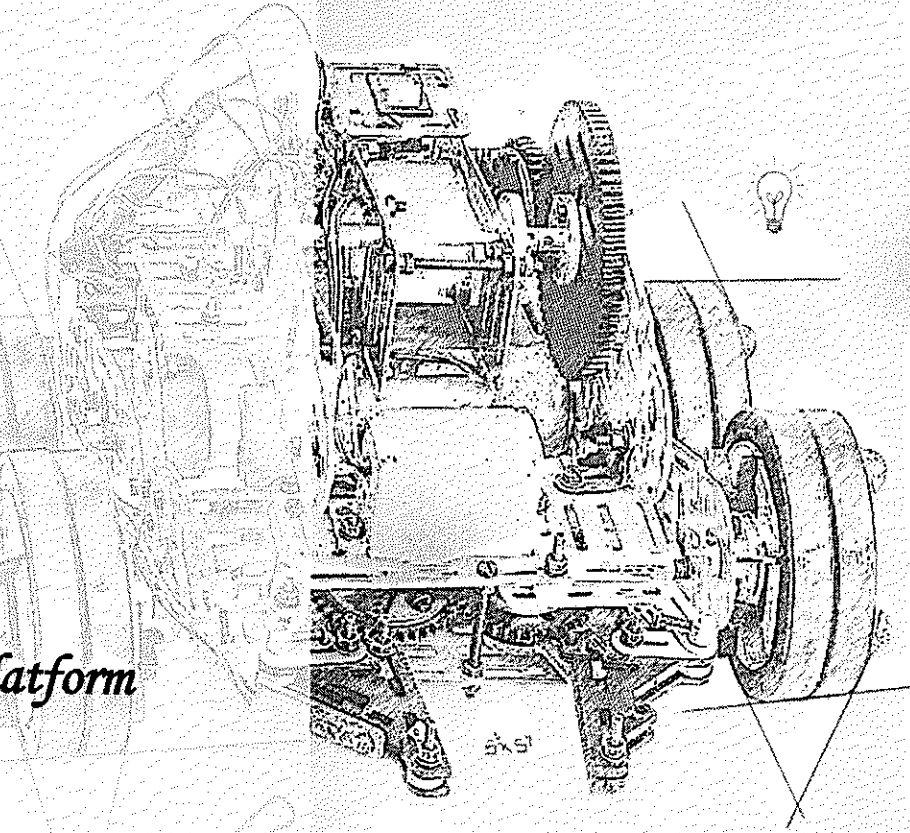
Certificate No. *20210169*

Vinay Kunwar
Vinay Kunwar
Founder-Director
IndiaFIRST® Robotics,
Pune



TRUE COPY

Princip
Principal
Vishwaniketan's (I MEET)



IndiaFIRST® ROBOTICS

IndiaFIRST®
ROBOTICS

This is to certify that

Jadhav Manish Prabhakar

has successfully completed an exciting and innovation STEM Education program on

AI and ML

with Grade *A*


and has been awarded *Jr. Robotics Engineer*

We wish him/her a successful career in
Science, Technology, Engineering & Mathematics in future.

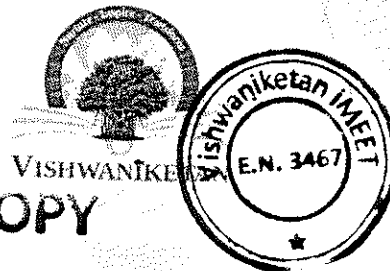
Date *24.07.2021*

Location *Online Digital Platform*

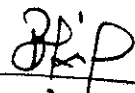
Certificate No. *20210166*

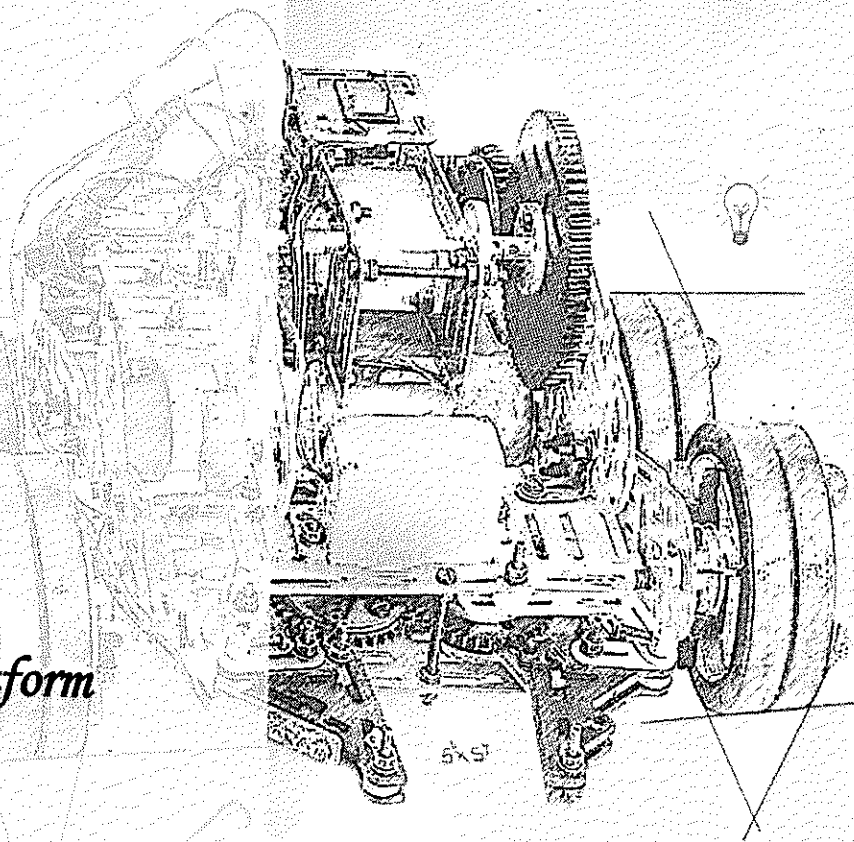

Vinay Kunwar
Founder-Director
IndiaFIRST® Robotics,
Pune


IndiaFIRST®
ROBOTICS



TRUE COPY


Principal
Vishwaniketan's (I MFEET)



IndiaFIRST® ROBOTICS

IndiaFIRST®
ROBOTICS

This is to certify that

Sumant Jadhav

has successfully completed an exciting and innovation STEM Education program on

AI and ML

with Grade *A*

and has been awarded *Jr. Robotics Engineer*

We wish him/her a successful career in
Science, Technology, Engineering & Mathematics in future.

📅 Date *24.07.2021*

📍 Location *Online Digital Platform*

Certificate No. *20210168*

Vinay Kunwar

Vinay Kunwar
Founder-Director
IndiaFIRST®Robotics,
Pune

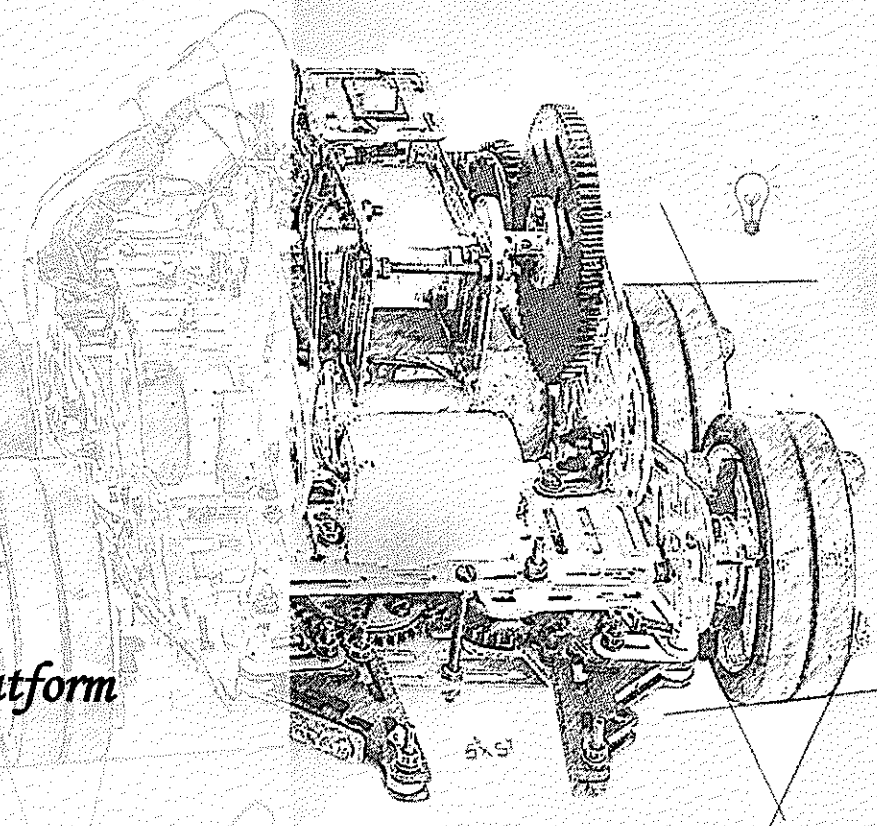
**IndiaFIRST®**
ROBOTICS

**VISHWANIKETAN**



[Signature]
Principal
Vishwaniketan's (I MEET)

TRUE COPY



IndiaFIRST® ROBOTICS

IndiaFIRST®
ROBOTICS

This is to certify that

Gavandi Nihal Santosh

has successfully completed an exciting and innovation STEM Education program on


AI and ML

with Grade

A

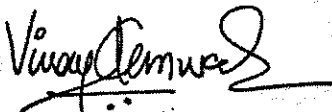
and has been awarded *Jr. Robotics Engineer*

We wish him/her a successful career in
Science, Technology, Engineering & Mathematics in future.

 Date *24.07.2021*

 Location *Online Digital Platform*

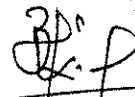
Certificate No. *20210165*

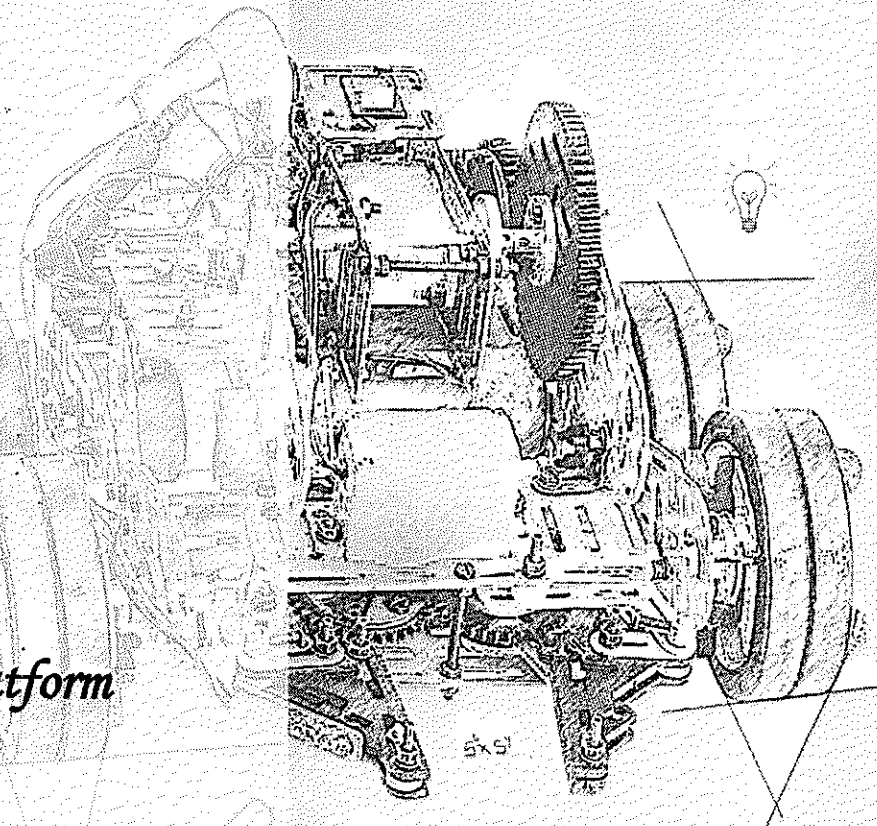

Vinay Kunwar
Founder-Director
IndiaFIRST® Robotics,
Pune


IndiaFIRST®
ROBOTICS



TRUE COPY


Principal
Vishwaniketan's (I MEET)



IndiaFIRST® ROBOTICS

IndiaFIRST®
ROBOTICS

This is to certify that

Mokal Manish Prabhakar

has successfully completed an exciting and innovation STEM Education program on

AI and ML

with Grade

A

and has been awarded *Jr. Robotics Engineer*

We wish him/her a successful career in
Science, Technology, Engineering & Mathematics in future.


Date *24.07.2021*




Location

Online Digital Platform

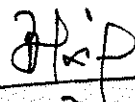
Certificate No. *20210173*

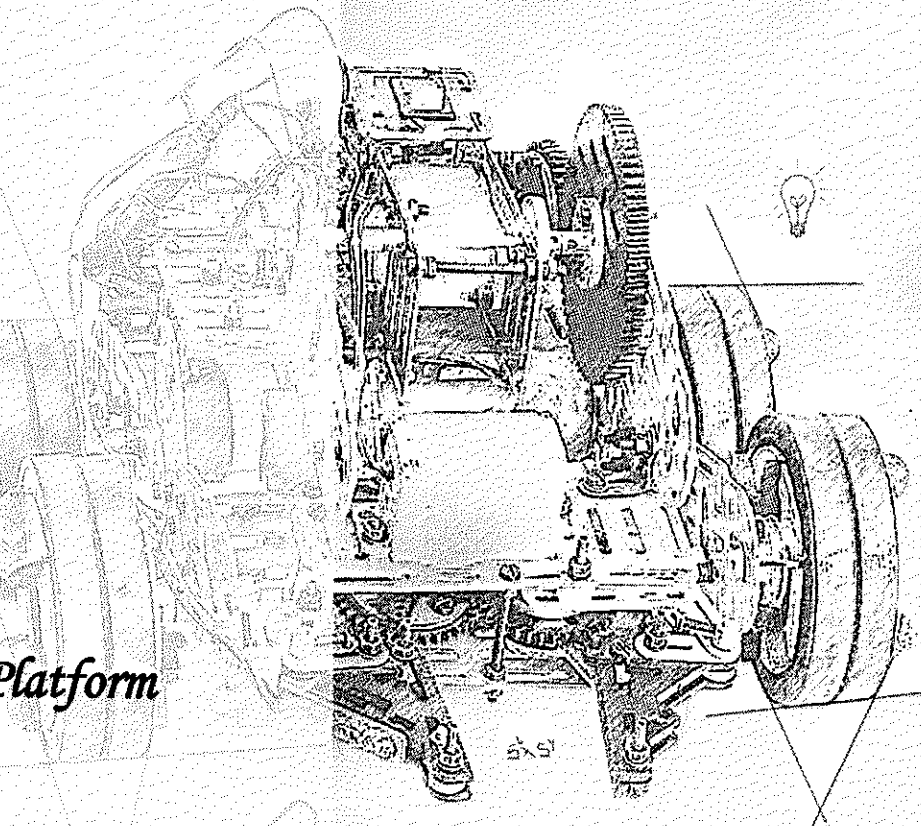

Vinay Kunwar
Founder-Director
IndiaFIRST® Robotics,
Pune


IndiaFIRST®
ROBOTICS


VISHWANIKETAN
TRUE COPY




Principal
Vishwaniketan's (M.E.T)



IndiaFIRST® ROBOTICS

IndiaFIRST®
ROBOTICS

This is to certify that

Jadhav Mohini Prabhakar

has successfully completed an exciting and innovation STEM Education program on

AI and ML

with Grade

A

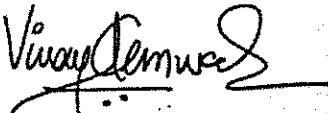
and has been awarded *Jr. Robotics Engineer*

We wish him/her a successful career in
Science, Technology, Engineering & Mathematics in future.

📅 Date *24.07.2021*

📍 Location *Online Digital Platform*

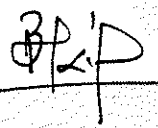
Certificate No. *20210167*


Vinay Kunwar
Founder-Director
IndiaFIRST® Robotics,
Pune


IndiaFIRST®
ROBOTICS

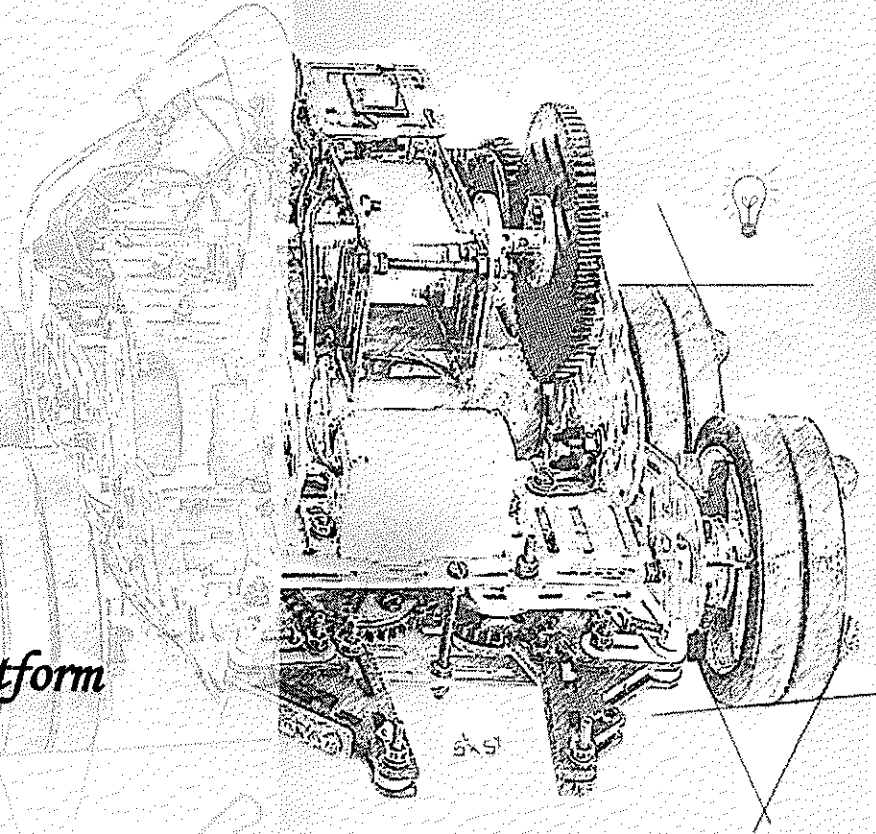

VISHWANIKETAN


Vishwaniketan IMET
E.N. 3467




Principal
Vishwaniketan

TRUE COPY



IndiaFIRST® ROBOTICS

IndiaFIRST®
ROBOTICS

This is to certify that

Nayak Surajkumar Sushantkumar

has successfully completed an exciting and innovation STEM Education program on


AI and ML with Grade *A*

and has been awarded *Jr. Robotics Engineer*

We wish him/her a successful career in
Science, Technology, Engineering & Mathematics in future.

Date *24.07.2021* Location *Online Digital Platform*

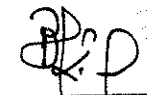
Certificate No. *20210175*


Vinay Kunwar
Founder-Director
IndiaFIRST® Robotics,
Pune


IndiaFIRST®
ROBOTICS


VISHWANIKETAN




Principal
Vishwaniketan's (I MEET)

TRUE COPY



5x5

5x5

IndiaFIRST® ROBOTICS

IndiaFIRST®
ROBOTICS



3x5

This is to certify that

Mhatre Mihir Shekhar

has successfully completed an exciting and innovation STEM Education program on

AI and ML

with Grade *A*


and has been awarded *Jr. Robotics Engineer*

We wish him/her a successful career in
Science, Technology, Engineering & Mathematics in future.

📅 Date *24.07.2021*

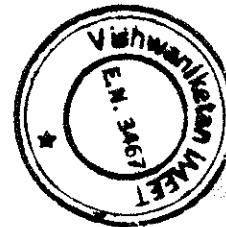
📍 Location *Online Digital Platform*

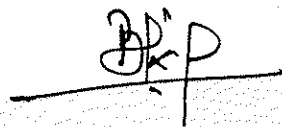
Certificate No. *20210171*

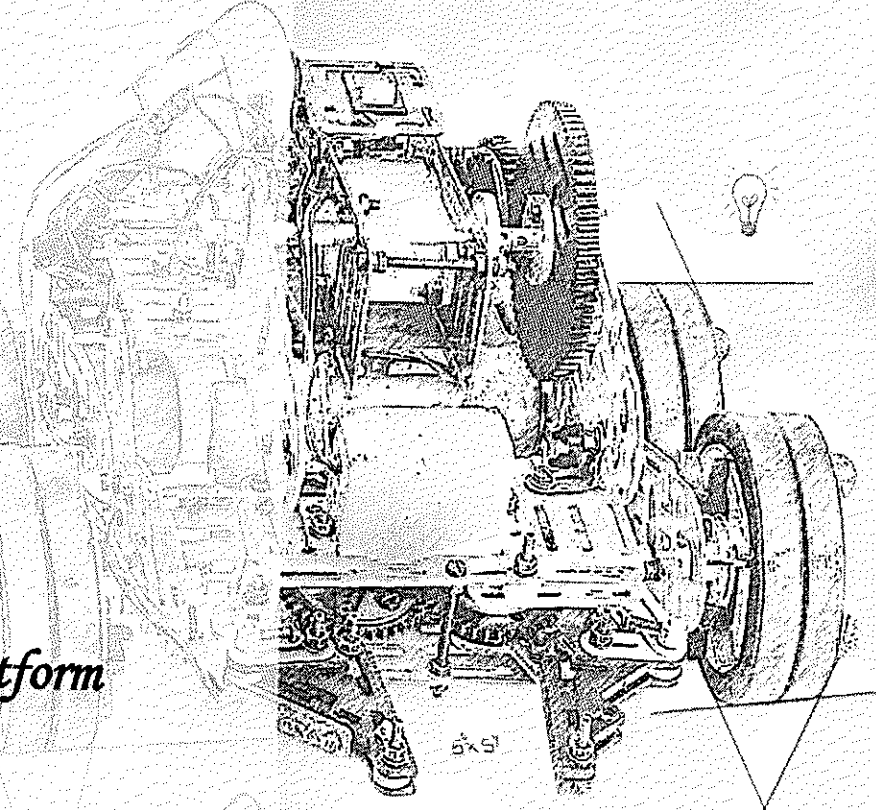

Vinay Kunwar
Founder-Director
IndiaFIRST® Robotics,
Pune


IndiaFIRST®
ROBOTICS

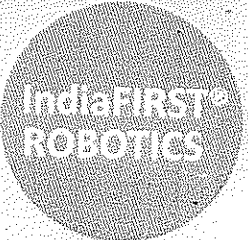

VISHWANIKETAN




Principal
Vishwaniketan's (I MEET)



IndiaFIRST® ROBOTICS



This is to certify that

Kumari Priyal

has successfully completed an exciting and innovation STEM Education program on

AI and ML

with Grade *A*

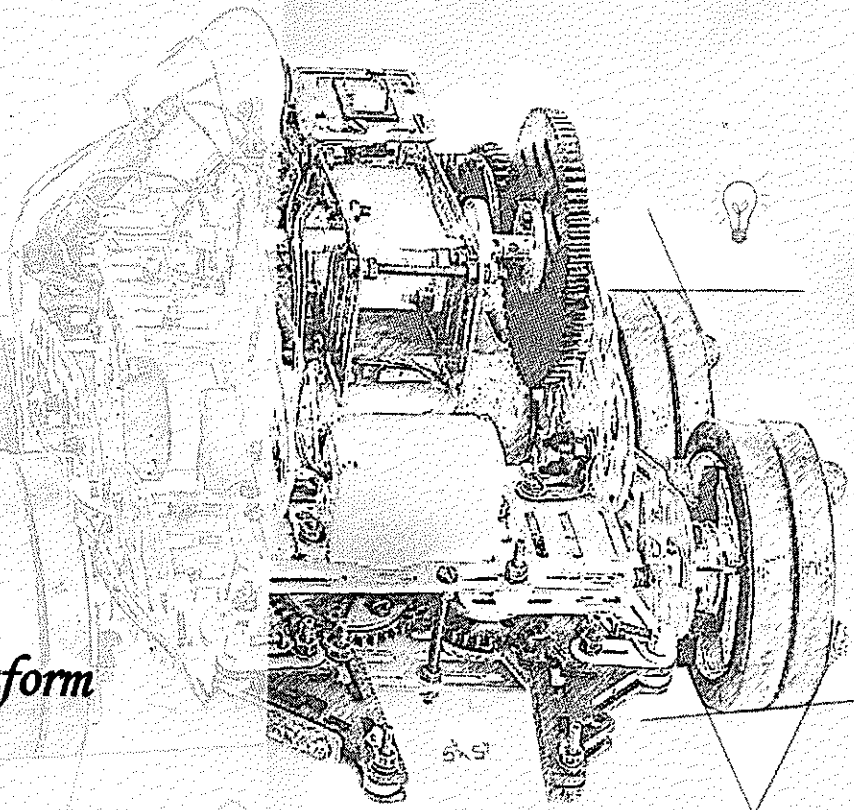
and has been awarded *Jr. Robotics Engineer*

We wish him/her a successful career in
Science, Technology, Engineering & Mathematics in future.

Date *24.07.2021*

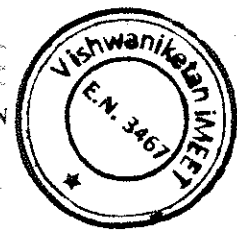
Location *Online Digital Platform*

Certificate No. *20210170*



Dr. P

Vinay Kunwar
Vinay Kunwar
Founder-Director
IndiaFIRST® Robotics,
Pune



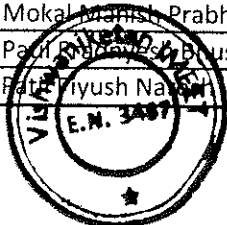
Principal
Vishwaniketan's (I MEET)

TRUE COPY

Vishwaniketan's Institute of Management Entrepreneurship & Engineering Technology [i MEET]
Department of First Year Engineering
Artificial Intelligence & Machine Learning
List of Students' Groups with Project Title

Year : 2020-21

Sr.No.	Groups	Roll No.	Branches	Name of Students	Project Title
1	1	A 48	COMPS	Shah Anish Ankush	SENTINEL CHATBOT
2		A16	AI&ML	Jadhav Yash Bharat	
3		B12	AI&ML	Deshpande Harsh Ashutosh	
4		B40	COMPS	Patil Vishwajeet Ashokrao	
5	2	A36	COMPS	Patil Anushka Anant	OBJECT DETECTION USING OPEN CV IN DEEP LEARNING
6		A11	AI&ML	Gadiwale Shifa Mustaq Mohammed	
7		A39	AI&ML	Patil shreyas nitin	
8		A56	ELECT	Vaidya Mayuresh Satish	
9		A42	AI&ML	Peerzade Sahebraju Noorpasha	
10	3	B02	AI&ML	Asabe Aditya Navanath	COLOUR RECOGNITION WITH PYTHON USING OPEN CV
11		B08	AI&ML	Chavan shreepad Ravindra	
12		B16	AI&ML	Jadhav Manish Prabhakar	
13		B17	AI&ML	Jadhav Mohini Prabhakar	
14	4	A57	AI&ML	VALSETWAR ROHIT RAJU	EMOTION DETECTION SYSTEM IN PYTHON USING OPEN CV
15		A54	AI&ML	Thakur Atul Muneem Singh	
16		A44	AI&ML	Ganesh Sapani	
17		A26	AI&ML	Kumar Om Prabhakar Upendra	
18		A59	AI&ML	Yele Hanumantrao Tukaram	
19	5	B33	AI&ML	PATIL ABHINAV PRAKASH	FACE MASK DETECTION IN PYTHON USING DEEP LEARNING
20		B73	AI&ML	Navaneeth Harivikas Kommu	
21		B67	AI&ML	Gangadri T	
22		B62	COMPS	SNEHA SURENDRA MHATRE	
23		B74	AI&ML	B RAVIKISHOR	
24	6	B09	COMPS	CHAVAN YASHRAJ PRABHAKAR	FACIAL RECOGNITION SYSTEM IN PYTHON USING OPEN CV
25		B07	COMPS	Chaudhari Ayush Sunil	
26		B45	COMPS	SAYYAD AAMAN JAVED	
27		B52	COMPS	Singh Yash Vijay	
28	7	B06	COMPS	Bhoir prachi mahesh	CREATE AUDIOBOOK USING PYTHON
29		B23	AI&ML	Kumari Priyal	
30		B19	ELECT	Khare Aditya Ajay	
31		B31	AI&ML	Nayak Surajkumar sushantkumar	
32	8	B14	COMPS	Dudam Tanvi Suresh	SOCIAL DISTANCE MONITORING IN REAL TIME WITH IP CAMERA
33		B41	COMPS	Prasad sagarkumar Krishna	
34		B65	AI&ML	Singh Aashu Rabindra	
35		B68	AI&ML	Bombe Kunal Dilip	
36		A03		Shreyash Bhesare	
37	9	B27	COMPS	Mhatre Yash Keshav	TRUE COPY SENTIMENT ANALYSIS SYSTEM USING ML
38		B28	COMPS	Mokal Manish Prabhakar	
39		B37	AI&ML	Patil Rishabh Prakash	
40		B36	COMPS	Patil Yiyush Nagesh	



Principal
Vishwaniketan's (i MEET)

Sr.No.	Groups	Roll No.	Branches	Name of Students	Project Title
41	10	B29	AI&ML	Mokal Shubham nandkishor	<u>IPL CRICKET MATCH OUTCOME PREDICTION USING AI</u>
42		A27	COMPS	Malligawad Gagan	
43		A30	AI&ML	Mokal Abhinandan Alankar	
44		A43	COMPS	Salunke Shubham sanjay	
45		B61	COMPS	Yash Umesh Thakur	
46	11	B18	COMPS	Sumant Jadhav	<u>USE OF ML& PYTHON FOR VISUALISATION & FORECASTING COVID 19 CASES</u>
47		B66	AI&ML	Ulde Mayida Yaseen	
48		B34	AI&ML	Atharv Varshanand Patil	
49		B70	EXTC	Kurne Mrunali Ganpat	
50	12	A49	AI&ML	Shingare Omkar Machindra	<u>STUDENT MARKS PREDICTION BASED ON NUMBER OF HOURS STUDIED USING ML</u>
51		B60	AI&ML	Singh Aditya Rajesh	
52		A41	AI&ML	Pawar Shivam Deepak	
53		A10	AI&ML	Dnyane Siddhant	
54	13	A51	COMPS	Singh Rahulkumar Vinay	<u>SPAM CLASSIFIER</u>
55		A04	EXTC	Bhoir Mahima Vishwanath	
56		A25	AI&ML	Kulkarni Vaishnavi	
57		B69	EXTC	Bhoir Vicky Satish	
58		B13	COMPS	Dubal Omkar Baburao	
59	14	B64	COMPS	Wala paras purshottam	<u>UBER DATA ANALYSIS</u>
60		B25	AI&ML	MHATRE MIHIR SHEKHAR	
61		B15	COMPS	GAVANDI NIHAL SANTOSH	
62		B10	COMPS	Chitnis Shreyas Girish	
63	15	A37	COMPS	Patil Rashmi Sambhaji	<u>YOLO V3 OBJECT DETECTION IN TENSORFLOW</u>
64		B49	MECH	Shinde Sanket Dipak	
65		A15	AI&ML	Jadhav Chinmay Santosh	
66		A18	COMPS	Jha jaya shailesh kumar	
67	16	B38	AI&ML	PATIL ROHAN RAJENDRA	<u>E- COMMERCE CUSTOMERRECOMMENDATION SYSTEM</u>
68		B03	MECH	BAIKAR ROHIT GOPAL	
69		B48	COMPS	Shelke Sneha Mahendra	
70		B20	COMPS	Khutle Swapnali Subhash	
71	17	B11	COMPS	Nikhil Choudhary	<u>STOCK MARKET PREDICTION USING PYTHON</u>
72		B46	MECH	Rohit Sharma	
73		B50	COMPS	Aman Singh	
74		B51	COMPS	Pradeep Singh	
75		A06	AI&ML	Yash Chorghe	

Nidhi Singh
VAP Coordinator
Dr. Nidhi Singh

Shivani Agrawal
FE HOD
Shivani Agrawal

TRUE COPY



P.D.
Principal
Vishwaniketan's (I MEET)



VISHWANIKETAN'S

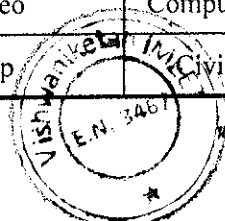
Institute of Management Entrepreneurship and Engineering Technology

Department of First Year Engineering

Value Addition Program - Python and Robotics

List of Students' Groups with Project Title

Sr. No.	Group No.	Roll No.	Student Name	Branch	Project Topic
1	I	A14	Inamdar Yashwini Santosh	Computer	Develop a program that continuously monitors the price of a certain stock (e.g., every 10 minutes) and plots the changes on a graph
2		A29	Mene Rutik Rajesh	Electrical	
3		A32	Nilawar Sheetal Vitthalrao	Computer	
4		A62	Deshmukh Rohit Dattatrey	Computer	
5	II	B05	Bhagat Adarsh Abhiman	Mechanical	Personal Idea: Development of a Platform Game Program with score card
6		B30	Natikar Aditya Babu	Mechanical	
7		B47	Shelke Aditya Sanjay	Computer	
8		B59	Zavare Swaraj Dilip	Computer	
9	III	A20	Kamble Sayali Vikas	Computer	Develop a program that can be used to display the various complicated trigonometric functions
10		A45	Anushka Uday Sarge	AI & ML	
11		A60	Pawar Sushant Subhash	Civil	
12	IV	A28	Mantri Samved Rajesh	Computer	Develop a program to return the current weather and tomorrow's weather forecast from a website. (Advanced students can learn the concept of APIs and use them in their program)
13		A35	Patil Aman Prashant	AI & ML	
14		A47	Sawant Komal Kailash	AI & ML	
15		A50	Shingare Vaibhavi shingare	AI & ML	
16	V	A31	Nagvekar Sayali Hemant	Computer	Develop a Game to play 4X4 Sudoku. (Students can try for 9X9 if they feel confident)
17		A34	Parab Vanshita Ganesh	Electrical	
18		A53	Suyash Santosh Tambade	EXTC	
19		B58	Kasare Yash Ganesh	Computer	
20	VI	A12	Gaikar Harsh	Mechanical	Create a Tile Flip Memory Game. Initially use buttons and alphabets for designing the game. Advanced students can use Images for developing the game)
21		A17	Jangam Akshay Anant	Civil	
22		A38	Patil Saurabh Sukhdeo	Computer	
23		A40	Pawar Sairaj Sandeep	Civil	



Principal
Vishwaniketans (I MEET)



VISHWANIKETAN'S

Institute of Management Entrepreneurship and Engineering Technology

Department of First Year Engineering

Value Addition Program - Python and Robotics

List of Students' Groups with Project Title

Sr. No.	Group No.	Roll No.	Student Name	Branch	Project Topic
24	VII	A19	Kale Aditya Dipak	AI & ML	Develop a program that continuously monitors the price of an object on Amazon and sends a message when the price goes below a certain value
25		A23	Khot Shubham Shailesh	Mechanical	
26		A24	Kulkarni Atharva Mahesh	Mechanical	
27		A55	Gunjan Khushi Tigga	AI & ML	
28	VIII	A07	Dabir Sanika Jayendra	Computer	Develop a mathematical expression game, where mathematical expressions (like 7+4 or 20X7) are shown on the screen. Four options are displayed below. The player has to choose one of the options. Correct option chosen will increase their score. One game cycle lasts for 10 questions. Final score should be displayed at the end of the cycle. (Advanced users can run each cycle for 30 seconds instead of 10)
29		A21	Kedari Rutuksha Suresh	Electrical	
30	IX	A02	Bhangale Yogeshwar Nitin	Computer	9X9 Sudoku Solver
31		A46	Saruk Dnyaneshwar Dilip	Electrical	
32		A52	Singh Shivam Santosh	Mechanical	
33		B32	Pardhi Abhijeet Prabhakar	Electrical	
34	X	B04	Bankar Abhishek Narayan	Electrical	Develop a Contact Book Program to store the contact information of people
35		B21	Kokate Aryan HIRAMAN	Civil	
36		B42	Rane Devarsh Krushna	Electrical	
37		B53	Tatkare Siddhesh Prashant	AI & ML	
38	XI	B24	Mali Hitesh Govind	Mechanical	Develop a program that gets the data of 10 players (e.g., Matches played, runs scored, wickets taken etc.) from a website and displays the data in ascending or descending order. (Students can try to make it more interactive by asking for player nationality or including GUI concepts)
40		B55	Vaidya Aditya Atul	Computer	
41		B56	Yadav Abhishek Sanjay	Mechanical	
42		B57	Hivale Shreyas Ravindra	Computer	

CRB

VAP Coordinator
Prof. Chinmay Rohekar



Shivani
FE HOD
Mrs. Shivani Agrawal

Principal
Vishwaniketan's (I MEET)

TRUE COPY


Vishwaniketan's Institute of Management Entrepreneurship & Engineering Technology [i MEET]
 Department of First Year Engineering
 AUTOCAD & 3D PRINTING VAP (21/06/2021 TO 3/07/2021)
 List of Students' Groups with Project Title

Year : 2020-21

Div :A+B

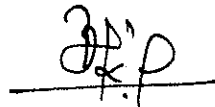
Sr.No	Group No.	Roll No.	Name of Students	PROJECT TITLE
1	1	A01	Bandal Shubham Santosh	IC Engine (scale factor* 1.5)
2		A09	Dhotre Ravi Ajay	
3		A05	Saqlain bubere	
4	2	A08	Daivi Rohan Gangaram	Hydraulic press tool(same diamension)
5		A13	Gophan shraavan anil	
6		A22	Kengar Shreyas madhukar	
7	3	A58	Verma Vivek	Prototype ball bearing (scale factor * 1.5)
8		A61	Mali pranit prakash	
9		B01	Adhikari swamini shridhar	
10	4	B26	Mhatre suyog Shankar	Machine components
11		B35	PATIL JAYESH ANANTA	
12		B39	PATIL SAHIL SUNIL	
13	5	B54	Thakur Yash Dipak	Knuckle Joint(scale factor * 0.7)
14		B71	Gite JHANVI PRATAP	
15		B72	Mandhare Rohan Rajendra	


 VAP Coordinator
 Mr. Sachin Mulik


 FE HOD
 Mrs. Shivani Agrawal

TRUE COPY




 Principal
 Vishwaniketan's (i MEET)



KRITIKA TECHNICAL ACADEMY
{ TECHNICAL TRAINING INSTITUTE }

CERTIFICATE OF ACHIEVEMENT

Dhotre Ravi Ajay

has successfully completed the course of

INDUSTRIAL CAD (COMPUTER AIDED DRAFTING AND DESIGNING)

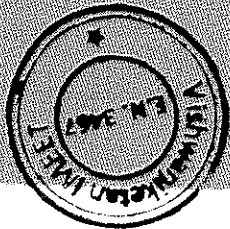
with 3D PRINTING TECHNOLOGY

from **22 JUNE 2021 TO 03 JULY 2021**

from **KRITIKA TECHNICAL ACADEMY**

(Technical Training Institute, Nagpur)

TRUE COPY



Principal
Vishwaniketan's (I MEET)

Er. VIJAY BHAMBRI
DIRECTOR



KRITIKA TECHNICAL ACADEMY
{ TECHNICAL TRAINING INSTITUTE }

CERTIFICATE OF ACHIEVEMENT

Gophan shravan Anil

has successfully completed the course of

INDUSTRIAL CAD (COMPUTER AIDED DRAFTING AND DESIGNING)

with 3D PRINTING TECHNOLOGY

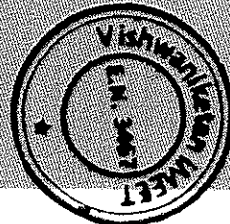
from **22 JUNE 2021 TO 03 JULY 2021**


from **KRITIKA TECHNICAL ACADEMY**

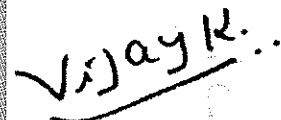
(Technical Training Institute, Nagpur)

TRUE COPY

Principal
Vishwaniketan's (I MEET)




Principal
Vishwaniketan's (I MEET)



Er. VIJAY BHAMBRI
DIRECTOR



KRITIKA TECHNICAL ACADEMY
{ TECHNICAL TRAINING INSTITUTE }

CERTIFICATE OF ACHIEVEMENT

Dalvi Rohan Gangaram

has successfully completed the course of

INDUSTRIAL CAD (COMPUTER AIDED DRAFTING AND DESIGNING)

with 3D PRINTING TECHNOLOGY

from **22 JUNE 2021 TO 03 JULY 2021**

from **KRITIKA TECHNICAL ACADEMY**

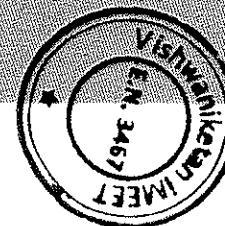
(Technical Training Institute, Nagpur)

TRUE COPY

Vijay K...

Er. VIJAY BHAMBRI
DIRECTOR

[Signature]
Principal
Vishwaniketan's (I MEET)






KRITIKA TECHNICAL ACADEMY
{ TECHNICAL TRAINING INSTITUTE }

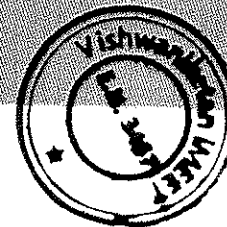
CERTIFICATE OF ACHIEVEMENT

Mandhare Rohan Rajendra
has successfully completed the course of
INDUSTRIAL CAD (COMPUTER AIDED DRAFTING AND DESIGNING)
with 3D PRINTING TECHNOLOGY
from **22 JUNE 2021 TO 03 JULY 2021**
from **KRITIKA TECHNICAL ACADEMY**
(Technical Training Institute, Nagpur)

TRUE COPY

Principal
Vishwaniketan's (I MEET)


Principal
Vishwaniketan's (I MEET)




Er. VIJAY BHAMBRI
DIRECTOR



KRITIKA TECHNICAL ACADEMY
{ TECHNICAL TRAINING INSTITUTE }

CERTIFICATE OF ACHIEVEMENT

Mhatre suyog Shankar

has successfully completed the course of

INDUSTRIAL CAD (COMPUTER AIDED DRAFTING AND DESIGNING)

with 3D PRINTING TECHNOLOGY


from **22 JUNE 2021 TO 03 JULY 2021**

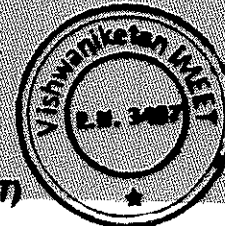
from **KRITIKA TECHNICAL ACADEMY**

(Technical Training Institute, Nagpur)

TRUE COPY

Principal
Vishwaniketan's (I MEET)


Principal
Vishwaniketan's (I MEET)




Er. VIJAY BHAMBRI
DIRECTOR



KRITIKA TECHNICAL ACADEMY
{ TECHNICAL TRAINING INSTITUTE }

CERTIFICATE OF ACHIEVEMENT

PATIL SAHIL SUNIL

has successfully completed the course of
INDUSTRIAL CAD (COMPUTER AIDED DRAFTING AND DESIGNING)

with 3D PRINTING TECHNOLOGY

from **22 JUNE 2021 TO 03 JULY 2021**

from **KRITIKA TECHNICAL ACADEMY**

(Technical Training Institute, Nagpur)



Principal
Vishwaniketan's (I) MEET

TRUE COPY

Principal
Vishwaniketan's (I) MEET

Er. VIJAY BHAMBRI
DIRECTOR



KRITIKA TECHNICAL ACADEMY
{ TECHNICAL TRAINING INSTITUTE }

CERTIFICATE OF ACHIEVEMENT

PATIL JAYESH ANANTA

has successfully completed the course of
INDUSTRIAL CAD (COMPUTER AIDED DRAFTING AND DESIGNING)
with 3D PRINTING TECHNOLOGY
from **22 JUNE 2021 TO 03 JULY 2021**
from **KRITIKA TECHNICAL ACADEMY**
(Technical Training Institute, Nagpur)

Principal
Vishwaniketan's (I MEET)



Vijay K...

Dr. VIJAY BHAMBRI
DIRECTOR



KRITIKA TECHNICAL ACADEMY
{ TECHNICAL TRAINING INSTITUTE }

CERTIFICATE OF ACHIEVEMENT

Saqlain bubere

has successfully completed the course of

INDUSTRIAL CAD (COMPUTER AIDED DRAFTING AND DESIGNING)

with 3D PRINTING TECHNOLOGY

from **22 JUNE 2021 TO 03 JULY 2021**

from **KRITIKA TECHNICAL ACADEMY**

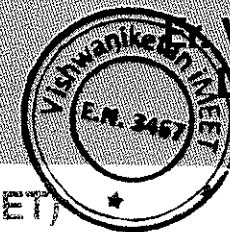
(Technical Training Institute, Nagpur)

Vijayk...

TRUE COPY

Principal

Vishwaniketan's (I MEET)



VIJAY BHAMBRI
DIRECTOR



KRITIKA TECHNICAL ACADEMY
{ TECHNICAL TRAINING INSTITUTE }

CERTIFICATE OF ACHIEVEMENT

Thakur Yash Dipak

has successfully completed the course of

INDUSTRIAL CAD (COMPUTER AIDED DRAFTING AND DESIGNING)

with 3D PRINTING TECHNOLOGY

from **22 JUNE 2021 TO 03 JULY 2021**

from **KRITIKA TECHNICAL ACADEMY**

(Technical Training Institute, Nagpur)

TRUE COPY



Principal

Vishwaniketan's (I) MEET

Er. VIJAY BHAMBRI
DIRECTOR



KRITIKA TECHNICAL ACADEMY
{ TECHNICAL TRAINING INSTITUTE }

CERTIFICATE OF ACHIEVEMENT

Verma Vivek

has successfully completed the course of
INDUSTRIAL CAD (COMPUTER AIDED DRAFTING AND DESIGNING)
with 3D PRINTING TECHNOLOGY
from **22 JUNE 2021 TO 03 JULY 2021**

from **KRITIKA TECHNICAL ACADEMY**
(Technical Training Institute, Nagpur)

Vijay K...

Er. VIJAY BHAMBRI
DIRECTOR

TRUE COPY



[Signature]

Principal
Vishwaniketan's (I MEET)



KRITIKA TECHNICAL ACADEMY
{ TECHNICAL TRAINING INSTITUTE }

CERTIFICATE OF ACHIEVEMENT

Mali pranit prakash

has successfully completed the course of

INDUSTRIAL CAD (COMPUTER AIDED DRAFTING AND DESIGNING)

with 3D PRINTING TECHNOLOGY

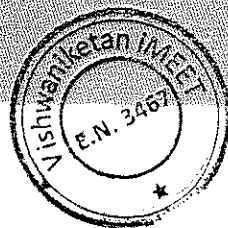
from **22 JUNE 2021 TO 03 JULY 2021**


from **KRITIKA TECHNICAL ACADEMY**

(Technical Training Institute, Nagpur)

Vijay K...

TRUE COPY




Principal
Vishwaniketan's (I MEET)

Er. VIJAY BHAMBRI
DIRECTOR



KRITIKA TECHNICAL ACADEMY
{ TECHNICAL TRAINING INSTITUTE }

CERTIFICATE OF ACHIEVEMENT

Kengar Shreyas madhukar

has successfully completed the course of

INDUSTRIAL CAD (COMPUTER AIDED DRAFTING AND DESIGNING)

with 3D PRINTING TECHNOLOGY

from **22 JUNE 2021 TO 03 JULY 2021**

from **KRITIKA TECHNICAL ACADEMY**

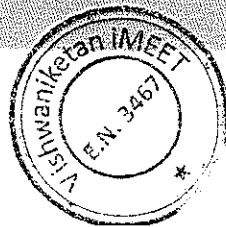
(Technical Training Institute, Nagpur)

Vijay K...

Principal
Vishwaniketan's (I MEET)

Er. VIJAY BHAMBRI
DIRECTOR

TRUE COPY





KRITIKA TECHNICAL ACADEMY
{ TECHNICAL TRAINING INSTITUTE }

CERTIFICATE OF ACHIEVEMENT

GITE JHANVI PRATAP

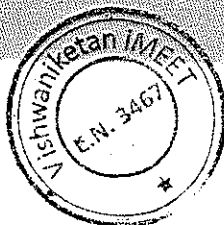
has successfully completed the course of
INDUSTRIAL CAD (COMPUTER AIDED DRAFTING AND DESIGNING)
with 3D PRINTING TECHNOLOGY
from **22 JUNE 2021 TO 03 JULY 2021**

from **KRITIKA TECHNICAL ACADEMY**
(Technical Training Institute, Nagpur)

Vijayk...

Er. VIJAY BHAMBRI
DIRECTOR

TRUE COPY



[Signature]
Principal
Vishwaniketan's (I MEET)



KRITIKA TECHNICAL ACADEMY
{ TECHNICAL TRAINING INSTITUTE }

CERTIFICATE OF ACHIEVEMENT

Bandal Shubham Santosh

has successfully completed the course of

INDUSTRIAL CAD (COMPUTER AIDED DRAFTING AND DESIGNING)

with 3D PRINTING TECHNOLOGY

from **22 JUNE 2021 TO 03 JULY 2021**

from **KRITIKA TECHNICAL ACADEMY**

(Technical Training Institute, Nagpur)

Vijayk...

[Signature]

Principal

Vishwaniketan's (I MEET)

Er. VIJAY BHAMBRI
DIRECTOR

TRUE COPY





KRITIKA TECHNICAL ACADEMY
{ TECHNICAL TRAINING INSTITUTE }

CERTIFICATE OF ACHIEVEMENT

Adhikari swamini shridhar

has successfully completed the course of

INDUSTRIAL CAD (COMPUTER AIDED DRAFTING AND DESIGNING)

with 3D PRINTING TECHNOLOGY

from **22 JUNE 2021 TO 03 JULY 2021**

from **KRITIKA TECHNICAL ACADEMY**

(Technical Training Institute, Nagpur)

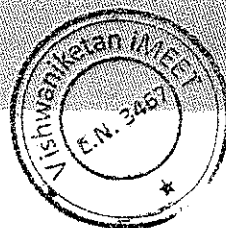
Vijayk...

JP

Principal
Vishwaniketan's (I MEET)

Er. VIJAY BHAMBRI
DIRECTOR

TRUE COPY





Woobblr Technologies
Private Limited

woobblr.co.in

support@woobblr.co.in | info@woobblr.co.in

CIN No: U72900MH2021PTC357338

Company's Address:

Woobblr Technologies Private Limited
Flt 403 B Vision Plot B-17 Sect -7, New Panvel (W)
Pin Code: 410206 Raigarh, Maharashtra, IND.



Woobblr Technologies

Appreciation Letter

Company's Address

WOOBBLR TECHNOLOGIES PRIVATE
LIMITED

FLT 403 B VISION PLT B-17 SECT 7 NEW
PANVEL, W NEW PANVEL (W)

PIN CODE: 410206 RAIGARH,
MAHARASHTRA, INDIA.

CIN No:

U72900MH2021PTC357338

From

BcD (Board of Directors)
Woobblr Technologies

support@woobblr.co.in

To Whomsoever it may concern,

This letter is to Appreciate as well as Acknowledge that the below listed students of Vishwaniketan's Institute of Engineering First Year Department have successfully completed Marketing and Technology Internship at M/S Woobblr Technologies Private Limited.

Information of Students:

Sr No	Name	Year
1.	Yogeshwar Bhangale	FE
2.	Ganesh Sapani	FE
3.	Atul Thakur	FE
4.	Shubham Salunke	FE
5.	Rohit Valsetwar	FE
6.	Yash Singh	FE
7.	Aditya Khare	FE
8.	Suraj Nayak	FE
9.	Yashraj Chavan	FE
10.	Aaman Sayyad	FE
11.	Jaya Jha	FE
12.	Sumant Jadhav	FE

Regards,

Board of Directors,

Woobblr Technologies Pvt. Ltd


Principal

Vishwaniketan's (I MEEET)

TRUE COPY



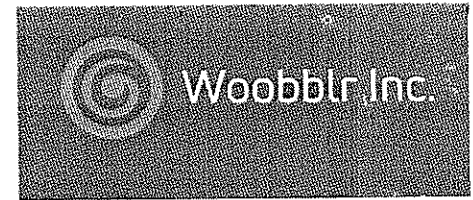
Woobblr Technologies Private Limited

Internship Completion Certificate

This is to Certify that

SUMANT JADHAV

This is to certify Sumant Jadhav has completed an internship in Technology with Woobblr Technologies Private Limited from 25th June to 25th August. During the internship, he studied and gained skills in Web development. During his tenure with us, he had been exposed to various fields of technology like HTML, CSS, JavaScript we found him to be punctual, hardworking, and sincere. We wish Sumant Jadhav the best of luck in the future.



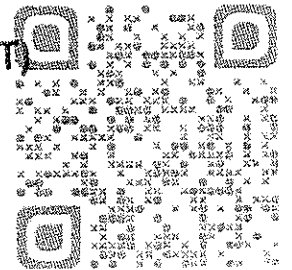
#startupindia

Recognized

Mehul Upase
Director | Woobblr Inc.

TRUE COPY Nimish Pandey
Director | Woobblr Inc.

Principal
Vishwaniketan's (I MEET)



Scan to Verify
Authenticity

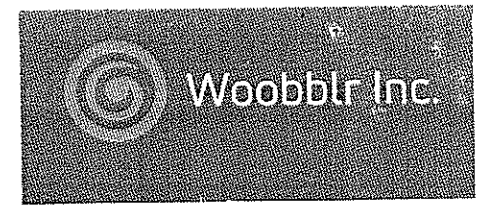
Woobblr Technologies Private Limited

Internship Completion Certificate

This is to Certify that

JAYA JHA

This is to certify Jaya Jha has completed an internship in Technology with Woobblr Technologies Private Limited from 25th June to 25th August. During the internship, she studied and gained skills in Web development. During her tenure with us, she had been exposed to various fields of technology like HTML, CSS, JavaScript we found her to be punctual, hardworking, and sincere. We wish Jaya Jha the best of luck in the future.



Department of Industrial Policy and Promotion
Ministry of Commerce and Industry
Government of India

#startupindia

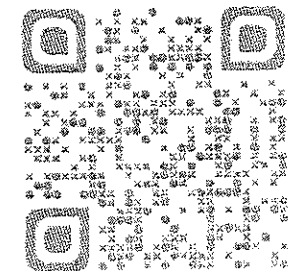
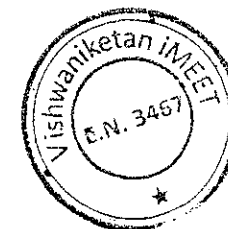
Recognized

Mehul Upase
Director | Woobblr Inc.

TRUE COPY

Nimish Pandey
Director | Woobblr Inc.

Principal
Vishwaniketan's (I MEET)



Scan to Verify
Authenticity

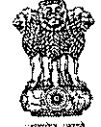
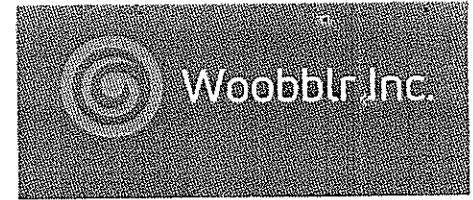
Woobblr Technologies Private Limited

Internship Completion Certificate

This is to Certify that

AAMAN SAYYAD

This is to certify Aaman Sayyad has completed an internship in Technology with Woobblr Technologies Private Limited from 25th June to 25th August. During the internship, he studied and gained skills in Web development. During his tenure with us, he had been exposed to various fields of technology like HTML, CSS, JavaScript we found him to be punctual, hardworking, and sincere. We wish Aaman Sayyad the best of luck in the future.



Department of Industrial Policy and Promotion
Ministry of Commerce and Industry
Government of India

#startupindia

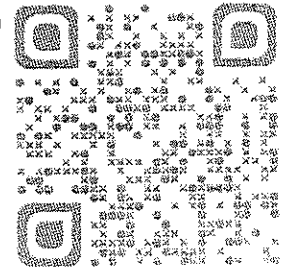
Recognized

Mehul Upase
Director | Woobblr Inc.

TRUE COPY

Nimish Pandey
Director | Woobblr Inc.

Principal
Vishwaniketan's (I MEET)



Scan to Verify
Authenticity

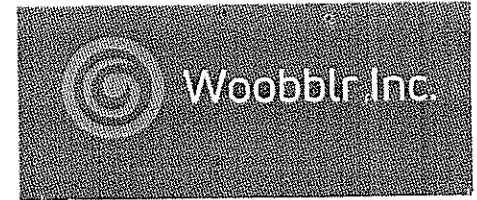
Woobblr Technologies Private Limited

Internship Completion Certificate

This is to Certify that

ROHIT VALSETWAR

This is to certify Rohit Valsetwar has completed an internship in Technology with Woobblr Technologies Private Limited from 25th June to 25th August. During the internship, he studied and gained skills in Web development. During his tenure with us, he had been exposed to various fields of technology like HTML, CSS, JavaScript we found him to be punctual, hardworking, and sincere. We wish Rohit Valsetwar the best of luck in the future.



Department of Industrial Policy and Promotion
Ministry of Commerce and Industry
Government of India

#startupindia

Recognized

Mehul Upase

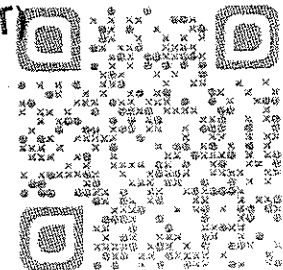
Director | Woobblr Inc.

TRUE COPY

Nimish Pandey

Director | Woobblr Inc.

Principal
Vishwaniketan's (I MEET)



Scan to Verify
Authenticity

Woobblr Technologies Private Limited

Internship Completion Certificate

This is to Certify that

ROHIT VALSETWAR

This is to certify Rohit Valsetwar has completed an internship in Marketing with Woobblr Technologies Private Limited from 25th June to 25th August.
During the internship, he studied and gained skills in Digital Marketing.
During his tenure with us, he had been exposed to various fields of Videography, Graphic Designing, Sales, and Business development we found him to be punctual, hardworking, and sincere.
We wish Rohit Valsetwar the best of luck in the future.

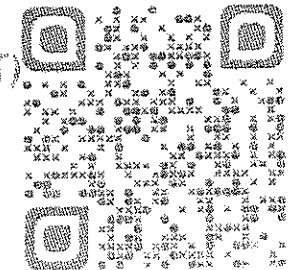
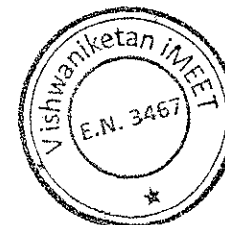


Mehul Upase
Director | Woobblr Inc.

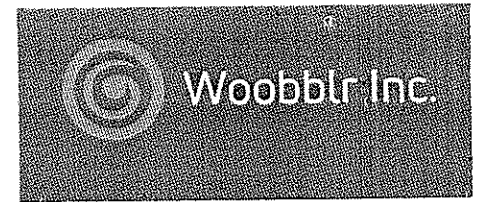
TRUE COPY



Nimish Pandey
Director | Woobblr Inc.


Principal
Vishwaniketan's (I MEET)

Scan to Verify
Authenticity



Department of Industrial Policy and Promotion
Ministry of Commerce and Industry
Government of India

#startupindia

Recognized

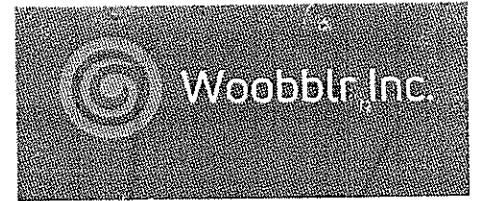
Woobblr Technologies Private Limited

Internship Completion Certificate

This is to Certify that

SHUBHAM SALUNKE

This is to certify Shubham Salunke has completed an internship in Technology with Woobblr Technologies Private Limited from 25th June to 25th August. During the internship, he studied and gained skills in Web development. During his tenure with us, he had been exposed to various fields of technology like HTML, CSS, JavaScript we found him to be punctual, hardworking, and sincere. We wish Shubham Salunke the best of luck in the future.



Department of Industrial Policy and Promotion
Ministry of Commerce and Industry
Government of India

#startupindia

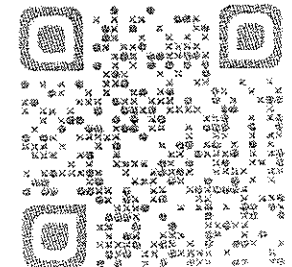
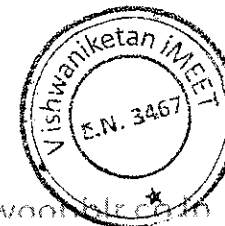
Recognized

Mehul Upase
Director | Woobblr Inc.

TRUE COPY

Nimish Pandey
Director | Woobblr Inc.

Principal
Vishwaniketan's (I MEET)



Scan to Verify
Authenticity

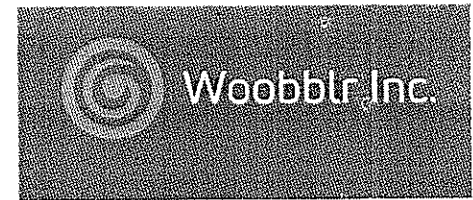
Woobblr Technologies Private Limited

Internship Completion Certificate

This is to Certify that

ATUL THAKUR

This is to certify Atul Thakur has completed an internship in Technology with Woobblr Technologies Private Limited from 25th June to 25th August. During the internship, he studied and gained skills in Web development. During his tenure with us, he had been exposed to various fields of technology like HTML, CSS, JavaScript we found him to be punctual, hardworking, and sincere. We wish Atul Thakur the best of luck in the future.



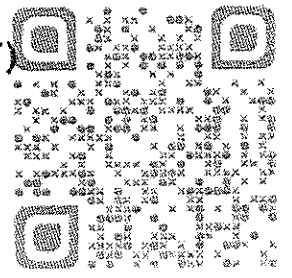
#startupindia
Recognized

TRUE COPY

Mehul Upase
Director | Woobblr Inc.

Nimish Pandey
Director | Woobblr Inc.

Principal
Vishwaniketan's (I MEET)



Scan to Verify
Authenticity

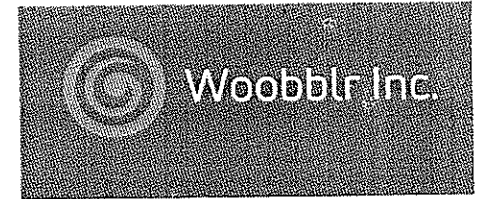
Woobblr Technologies Private Limited

Internship Completion Certificate

This is to Certify that

ATUL THAKUR

This is to certify Atul Thakur has completed an internship in Marketing with Woobblr Technologies Private Limited from 25th June to 25th August. During the internship, he studied and gained skills in Digital Marketing. During his tenure with us, he had been exposed to various fields of Videography, Graphic Designing, Sales, and Business development we found him to be punctual, hardworking, and sincere. We wish Atul Thakur the best of luck in the future.



#startupindia

Recognized

TRUE COPY

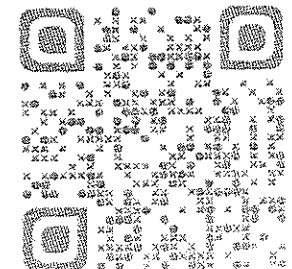
Mehul Upase

Director | Woobblr Inc.

Nimish Pandey

Director | Woobblr Inc.

Principal
Vishwaniketan's (I MEET)



Scan to Verify
Authenticity

Wooblr Technologies Private Limited

Internship Completion Certificate

This is to Certify that

YASH SINGH

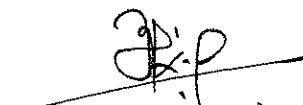
This is to certify Yash Singh has completed an internship in Technology with Wooblr Technologies Private Limited from 25th June to 25th August. During the internship, he studied and gained skills in Web development. During his tenure with us, he had been exposed to various fields of technology like HTML, CSS, JavaScript we found him to be punctual, hardworking, and sincere. We wish Yash Singh the best of luck in the future.



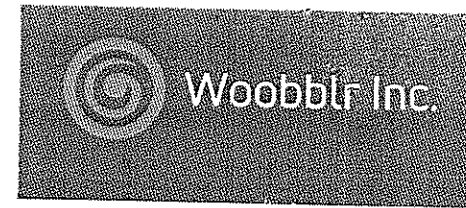
Mehul Upase
Director | Wooblr Inc.



Nimish Pandey
Director | Wooblr Inc.



Principal
Vishwaniketan's (I MEET)

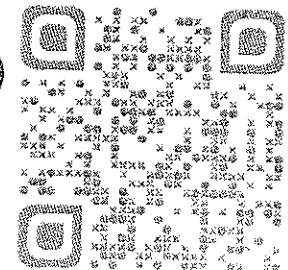


सत्यमेव जयते
Department of Industrial Policy and Promotion
Ministry of Commerce and Industry
Government of India

#startupindia

Recognized

TRUE COPY



Scan to Verify
Authenticity

Wooblr Technologies Private Limited

Internship Completion Certificate

This is to Certify that

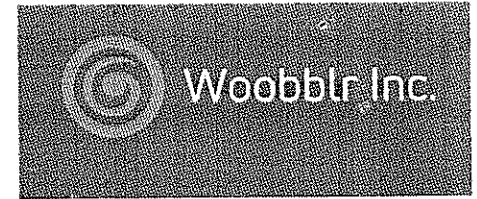
GANESH SAPANI

This is to certify Ganesh Sapani has completed an internship in Marketing with Wooblr Technologies Private Limited from 25th June to 25th August.

During the internship, he studied and gained skills in Digital Marketing.

During his tenure with us, he had been exposed to various fields of Videography, Graphic Designing, Sales, and Business development we found him to be punctual, hardworking, and sincere.

We wish Ganesh Sapani the best of luck in the future.



Department of Industrial Policy and Promotion
Ministry of Commerce and Industry
Government of India

#startupindia

Recognized

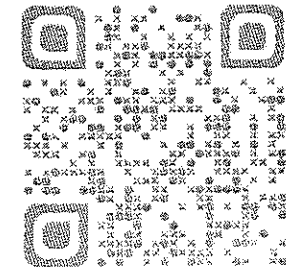
Mehul Upase
Director | Wooblr Inc.

Nimish Pandey
Director | Wooblr Inc.

Principal
Vishwaniketan's (I MEET)

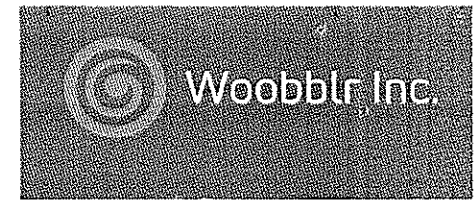


TRUE COPY



Scan to Verify
Authenticity

Wooblr Technologies Private Limited



Internship Completion Certificate

This is to Certify that

YOGESHWAR BHANGALE



Department of Industrial Policy and Promotion
Ministry of Commerce and Industry
Government of India

#startupindia

Recognized

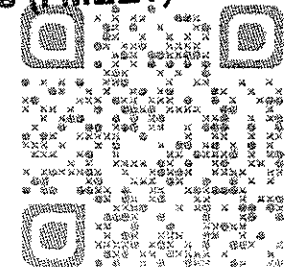
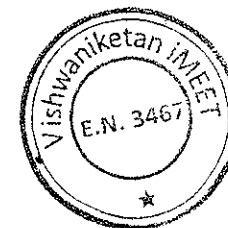
This is to certify Yogeshwar Bhangale has completed an internship in Marketing with Wooblr Technologies Private Limited from 25th June to 25th August. During the internship, he studied and gained skills in Digital Marketing. During his tenure with us, he had been exposed to various fields of Videography, Graphic Designing, Sales, and Business development we found him to be punctual, hardworking, and sincere. We wish Yogeshwar Bhangale the best of luck in the future.

TRUE COPY

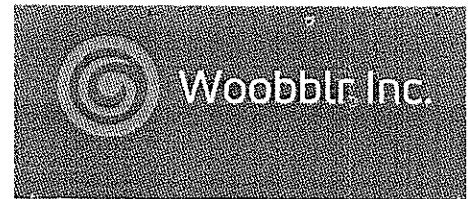
Mehul Upase
Director | Wooblr Inc.

Nimish Pandey
Director | Wooblr Inc.

Principal
Vishwaniketan's (I MEET)



Woobblr Technologies Private Limited



Internship Completion Certificate

This is to Certify that

ADITYA KHARE



#startupidia

Recognized

This is to certify Aditya Khare has completed an internship in Technology with Woobblr Technologies Private Limited from 25th June to 25th August.

During the internship, he studied and gained skills in Web development.

During his tenure with us, he had been exposed to various fields of technology like HTML, CSS, JavaScript we found him to be punctual, hardworking, and sincere.

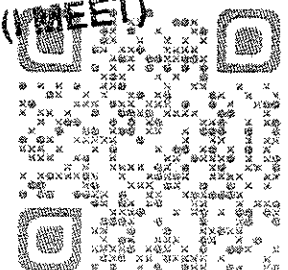
We wish Aditya Khare the best of luck in the future.

Mehul Upase
Director | Woobblr Inc.

Nimish Pandey
Director | Woobblr Inc.

TRUE COPY

Principal
Vishwaniketan's (IMEET)



Scan to Verify
Authenticity

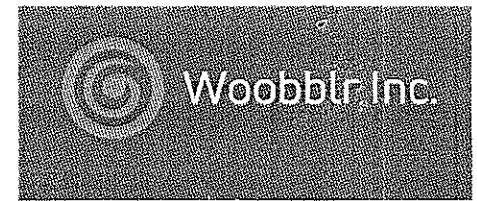
Woobblr Technologies Private Limited

Internship Completion Certificate

This is to Certify that

SURAJ NAYAK

This is to certify Suraj Nayak has completed an internship in Technology with Woobblr Technologies Private Limited from 25th June to 25th August. During the internship, he studied and gained skills in Web development. During his tenure with us, he had been exposed to various fields of technology like HTML, CSS, JavaScript we found him to be punctual, hardworking, and sincere. We wish Suraj Nayak the best of luck in the future.



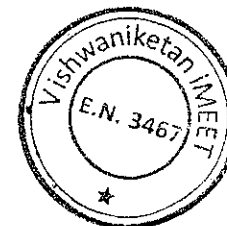
#startupindia

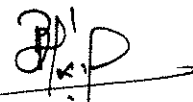
Recognized

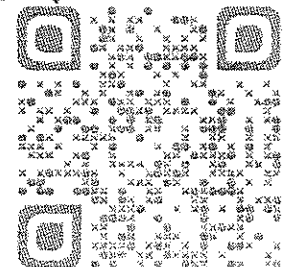
Mehul Upase
Director | Woobblr Inc.

Nimish Pandey
Director | Woobblr Inc.

TRUE COPY




Principal
Vishwaniketan's (I MEET)



Woobblr Technologies Private Limited

Internship Completion Certificate

This is to Certify that

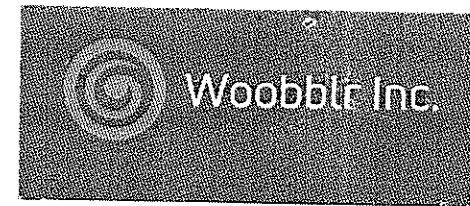
YASHRAJ CHAVAN

This is to certify Yashraj Chavan has completed an internship in Technology with Woobblr Technologies Private Limited from 25th June to 25th August.

During the internship, he studied and gained skills in Web development.

During his tenure with us, he had been exposed to various fields of technology like HTML, CSS, JavaScript we found him to be punctual, hardworking, and sincere.

We wish Yashraj Chavan the best of luck in the future.



Department of Industrial Policy and Promotion
Ministry of Commerce and Industry
Government of India

#startupindia

Recognized

Mehul Upase

Director | Woobblr Inc.

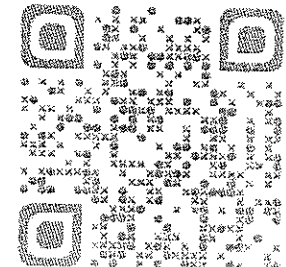
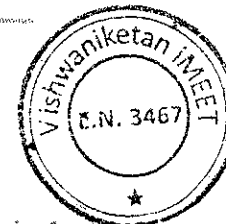
Nimish Pandey

Director | Woobblr Inc.

TRUE COPY

Principal

Vishwaniketan's (I MEET)



Computer Engineering
⇒ 1.3.3



VISHWANIKETAN

Vishwaniketan's

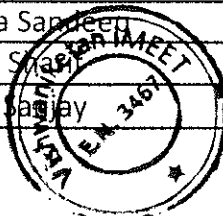
Institute of Management Entrepreneurship & Engineering Technology (i MEET)

Department of Computer Engineering

Mini Project 1A (2020-21)

Sr. No.	Group No.	Student Name	Project Title
1	G1	Gondhali Prachi Vaman	Online medical Booking Store
2		Jha Ashish Anil Kumar	
3		Gupta Aakash Mahesh	
4	G2	Kamble Deepak Dattatraya	QR code generator
5		Bhale Prasad Milind	
6		Bhandwalkar Payal Uttam	
7	G3	Keni Yash Manoj	Online Music Library System
8		Korgaonkar Sakshi Santosh	
9		Kulkarni Priya Sanjay	
10	G4	Gupta Ajitkumar Ramhausila	Pay Roll System
11		Lawand Sumit Nandkumar	
12		Lahane Deep Manohar	
13	G5	Darekar Chaitali Dilip	Clinic Management System
14		Kadave Pratham Ramesh	
15	G6	Deshmukh Siddhika Umesh	Railway Reservation System Using PHP and MySQL
16		Borkar Om Sanjay	
17		Chandan Avinash Anil	
18	G7	Negi Rishika Krishna	Faculty Feedback System
19		Nikam Parshuram Sanjay	
20		Khanvilkar Prathamesh Mahesh	
21		Patil Saksham Sachin	
22	G8	Patil Vedashree Manojkumar	Generating password and OTP
23		Pawar Digvijay Rajesh	
24		Mulgir Eshwar Subhash	
25	G9	Pandey Nimish Ajaykumar	Railway Reservation System
26		Pawar Shyam Ranjeet	
27		Pawar Vedant Hanmant	
28		Mokal Sneha Rajendra	
29	G10	Takawade Siddhi Shivprasad	User Authenticator
30		Shinde Digvijay Pravin	
31		Shinde Rahul Gajendra	
32		Sadake Prathmesh Vijay	
33	G11	Shankar Abhijeet Sudhir Kumar	Puzzle game
34		Singh Sakshi Sudhanshu	
35		Turkar Raj Hariprasad	
36	G12	Chatale Amruta Bhausahab	Snake game
37		Deshmukh Shreyas Mohan	
38		Shirke Vinayak Dayanand	
39	G13	Tandale Shreya Sanjeev	Quiz Application
40		Mulani Amaan Sanjay	
41		Singh Sukritee Sanjay	

TRUE COPY



Vishwaniketan's (i MEET)

Sr. No.	Group No.	Student Name	Project Title
42	G14	Patil Tejas Subhash	House Price Prediction
43		Patil Pratiksha Hanumant	
44		Patil Sarvesh Nandkumar	
45		Upase Mehul Bhojraj	
46	G15	Sawant Pratap Madhukar	Currency converter
47		Thombare Sakshi Sanjay	
48	G16	Patil Jayesh Rajendra	Portfolio Website
49		Qureshi Nida Raees	
50		Taware Niranjn Umesh	
51	G17	Telang Sambhaji Bharat	Breakout Ball Game
52		Sorte Chirag Jeevan	
53		Chikhalkar Manasi Santosh	
54	G18	Thale Riddhi Ramesh	Food Ordering System
55		Kumbhar Saurabh Arjun	
56		Shete Anagha	
57	G19	Salgar Urmila Vijay	Rental Car Management System
58		Sargar Amol Shankar	
59		Swarupa Patil	
60		Singh Sanjivani Vinod	
61	G20	Pednekar Sanket Hariram	Dating App
62		Pednekar Shubham Shamrao	
63		Singh Aditya Ajay	
64	G21	Rane Nikhil	Inventory System
65		Reddy Annapu Chenna Reddy Venkata Reddy	
66		Shinde Amey Bharat	
67	G22	Puranik Rohan Anant	Group Chat Application
68		Reejhwani Ritik Brijlal	
69		Koli Rahul Laxman	
70	G23	Dhanawade Shreyash Murlidhar	Data Visualization
71		Gaurav Anil Khalapurkar	
72		Mahulkar Rasika Rajendra	
73		Malekar Nishant Nischal	
74	G24	Mishra Utkarsh	Gym Management System
75		Jangale Bhagwan Rambhau	
76		Chaudhari Vipul Atmaram	
77		Sarthak Talekar	

TRUE COPY



J.P.
Principal
Vishwaniketan's (I MEET)

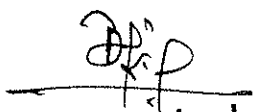
**Vishwaniketan's
Institute of Management Entrepreneurship & Engineering Technology(i MEET)
Department of Computer Engineering**

Class: TE Sem: V WDL MINI PROJECTS A.Y.:2020-21

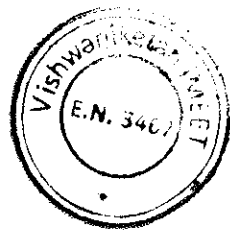
Roll No.	Name of Students	Project Title
18	Diksha Mulik	Travenza
21	Atharv Narharshettiwar	
24	Dhanashree Patil	
4	Shruti Vichare	LIFESTYLE STORE
9	Shreya Ketkar	
11	Kirti Kulkarni	
17	Jatin More	wordify
23	Pankaj Nidhi	
58	Sarvesh Patil	
67	Vedant Kasle	Computer Department Technical Forum
68	Divyanka Mohite	
70	Sourav Patil	
10	Anushri Koli	Photo Editor
25	Mamta Patil	
44	Swapnil Choudhary	
26	Mrunali Baban Patil(26)	Tingdog Website
29	Trupti Pravin Patil(29)	
27	Shruti Kishore Patil(27)	
1	Jay Bharambe	Music Webplayer
4	Aniketh Gaonkar	
7	Dharmik Joshi	
48	Prabodh .N. Gaikar	INFINITY Travel
59	Prasad Shantaram Rajadhyaksha	Smartphone Website
28	Swapnil Mohandas Patil	BookTime- eBook Selling System
2	Ayush Chaudhari	Arcade - A Gaming Website
12	Pavan Kulkarni	
20	Narendraguru Harikrishnan	
39	Samrudh Uchil	
33	Shivani Shimpi	Performance testing based on SSR deployed on a
32	Ritik Sharma	
45	Punyak Deshmukh	
50	Tanmay Sanjay Jadhav	BeStrong- Online Fitness Store and Blogs
47	Akshay Sudam Dhaygude	
61	Avdhut Shrihari Shinde	
19	Pragati Naik	ONLINE CANTEEN SYSTEM
3	Nivedita Dalvi	
22	Shyamal Narwade	

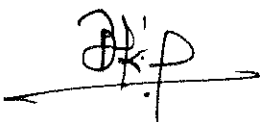
TRUE COPY




Principal
Vishwaniketan's (i MEET)

6	Hitesh Satish Holkar	College Fest Webpage
13	Omkar Arvind Mane	
8	Aditya Sunil Kate	
5	Piyush Shrikant Gawade	
2	Ayush Chaudhari	Arcade - A Gaming Website
12	Pavan Kulkarni	
20	Narendraguru Harikrishnan	
39	Samrudh Uchil	
65	Sujan Wavekar	Online Aptitude Test Platform
41	Ajinkya Vidwans	
60	Ruturaj Raut	
55	Chaitanya Narayankar	Student Record Management System
31	Ashutosh Sawant	
35	Ritika Singh	
36	Ritu Singh	
19	Pragati Naik	Online Canteen System
3	Nivedita Dalvi	
22	Shyamal Narwade	
10	Anushri Kol	Photo Editing Application
25	Mamta Patil	
44	Swapnil Choudhari	
57	Rutuja Patil	MUSIC WEBSITE (BTS BAND)
46	Dhanashree Dhanawade	
43	Prathamesh Amrale	
71	Aniket Raut	Matrimonial Project
69	Akshaya Mokal	
72	Komal Watekar	
66	Kamal Dube	
15	Disha Rajendra Mankawle	PARLOR WEBPAGE
16	Dhruvkumar A Mishra	
14	Rutvij Mahendra Mane	Online Quiz System
42	Sneha Sherkhane	
52	Khaladkar Omkar Sudhir	Kickerz - Football Website
49	Gajre Amrut Abhijeet	
54	Mishra Pratik Awadesh	
30	Kalyani Rajendra Pingale	RESTAURANT WEBPAGE
34	Muskan Vijay Singh	
38	Jatin Yogesh Terde	




Principal
Vishwaniketan's (I MEET)

TRUE COPY

Vishwaniketan's
Institute of Management Entrepreneurship & Engineering Technology (I MEET)
Department of Computer Engineering

Class: BE Sem: VIII BE PROJECTS A.Y.:2020-21

Group No.	Roll No.	Name of the students	Project Title	Guide
1	45	Ankita Mourya	Sign Language Detection System	Prof. Charushila Pandit
	47	Dhanashree Patil		
	42	Rashmi Mhatre		
	16	Siddhi Bhagat		
	25	Samruddhi Gawade		
2	27	Sudeep Hegde	An Approach to Maintain Attendance using Image Processing Technique	Dr. Richa Mishra
	57	Rahat Shaikh		
	58	Najuka Shelar		
	17	Pratik Bhalerao		
3	68	Tirth Upadhyay	Simulating Customized Gameplay using Machine Learning Agent	Prof. Abhijit Patil
	34	Sumit Kalbhor		
4	28	Gururaj Hudgi	Smart Homes	Dr. Richa Mishra
	15	Gaurav Bhadane		
	41	Manasi Malkar		
	44	Vaishnavi Mokal		
5	26	Samiksha Gurav	Family Tracking System	Dr. Richa Mishra
	46	Sharvari Nanadgaonkar		
	54	Neha Raut		
6	20	Poonam Burange	Face Mask Detection	Prof. Charushila Pandit
	29	Akash Jadhav		
	30	Supriya Jape		
	43	Karishma Mokal		
7	19	Anuraj Bhosale	Credit Card Fraud Detection	Prof. Abhijit Patil
	35	Kiran Kanse		
	12	Naresh Patel		
	52	Mansi Pawan		
8	38	Hrshikesh Kolpe	Analysis of Stock Market	Prof. Charushila Pandit
	66	Pratish Thorat		
	75	Akshay Sapane		
	13	Deven Vele		
9	48	Jayesh Patil	Automation Irrigation in Agriculture App using IoT	Dr. Richa Mishra
	23	Sachine Dakne		
10	6	Apratim Ray	Variable Blocksize Symmetric Encryption Algorithm to avoid Shor's Algorithm Attack	Prof. Abhijit Patil
	5	Aashutosh Rawate		
	62	Chaitanya Nalage		
11	24	Krishnam Dongre	Virtual Veterinary Software	Prof. Abhijit Patil
	21	Pratik Deshmukh		
	50	Siddesh Patil		
	2	Swagata Kawale		
12	5	Dakshata Sasane	Smart Attendance System	Dr. Richa Mishra
	56	Suchitra Sathe		
13	14	Shruti Abhang	Online Plagiarism Detection	Prof. Abhijit Patil
	31	Venkatesh Joshi		
	60	Vishal Shukla		
	65	Pratiksha Thorat		

TRUE COPY




Principal
Vishwaniketan's (I MEET)

14	63	Srushti Thale	Biohashing	Prof. Abhijit Patil
	18	Yash Bhole		
15	62	Aniket Somwanshi	Optimal Algorithm	Prof. Charushila Pandit
	36	Ajinkya Kapse		
	39	Harsh Kunte		
	10	Ajay Vishwakarma		
16	76	Shubham Parange	RFID Based Library Management System	Dr. Richa Mishra
	77	Rachana Ghadge		
	78	Akshay Solanki		
	79	Varun Mokal		
17	3	Upasna Mhatre	Teaching Interative Platform Application	Prof. Charushila Pandit
	32	Sutej Deshpande		
	53	Sonika Pawar		
	67	Janhvi Ugale		
18	1	Hrishikesh Hindlekar	Inferring Body Mass Index from Face Data	Prof. Charushila Pandit
	9	Aditya Telange		
	8	Aatish Tandel		
	59	Ajay Shelke		
19	69	Shirin Wakde	Super Resolution using a Generative Adversarial Network	Dr. Richa Mishra
	40	Diya Mahto		
	33	Pranali Kadam		
	61	Samiksha Singh		
20	74	Akshay Salvi	Smart Garden with weather Station	Prof. Abhijit Patil
	72	Jayesh Bhoir		
	71	Pranjal Bhosekar		
21	51	Nutan Patole	Attendance System using Face Recognition	Prof. Charushila Pandit
	49	Purnima Patil		
	32	Riya Juikar		
	70	Ravina Zalte		
22	11	Neha Mishra	Smart Security System using Chatbots	Dr. Richa Mishra
	62	Vaishnavi Thale		
23	7	Roshni Singh	Music Recommendation System using Facial Expressions	Dr. Richa Mishra
	4	Jyoti Mistry		
	37	Swaraj Khopode		

TRUE COPY



[Signature]
Principal
Vishwaniketan's (IMEET)

SR NO	NAME OF STUDENT	BRANCH	EMAIL	CONTACT	NAME OF COMPANY	LOCATION	NAME OF COMPANY CONTACT PERSON	EMAIL OF COMPANY CONTACT PERSON
1	Rutuja Patil	BE COMP	rutspatil.rp@gmail.com	9833399250	Telenetworks Technologies Pvt. Ltd.	Vashi	Nikhil Tari	NA
2	Chaitanya Narayankar	BE COMP	chaitanyanarayankar215@gmail.com	9324029377	BSNL	Thane	Revathi B	NA
3	Chaitanya Narayankar	BE COMP	chaitanyanarayankar215@gmail.com	9324029377	Telenetworks Technologies Pvt. Ltd.	Vashi	Nikhil Tari	NA
4	Dhanashree Dhanawade	BE COMP	dhanashreehd@gmail.com	8692888003	Telenetworks Technologies Pvt. Ltd.	Vashi	Nikhil Tari	NA
5	Jatin Yogesh Terde	BE COMPS	jatinterde1947@gmail.com	9175788834	WIDS Pune	Pune	Sucheeta dhere	suchetadhere@gmail.com
6	Omkar Sudhir Khaiadkar	BE COMPS	omkarkhaiadkar99@gmail.com	9987043489	MK Engineering	Mumbai	Mukesh Kashikar	NA
7	Tanmay Jadhav	BE Comps	tanmayjadhav11@gmail.com	9892527287	Ihaan Technologies	Mumbai	Javed Shaikh	NA
8	Aniket Raut	BE COMPS	rautanket179@gmail.com	8425945601	Skill Vertex	Mumbai	kapii sharma	support@skillvertex.in
9	Trupti Pravin Patil	BE comps	patiltrupti2411@gmail.com	7038907489	TCR Innovation	Navi Mumbai	Rutuja Doiphode	NA
10	Sukritee Singh	BE comps	sukriti.singh899@gmail.com	8999938204	TCR Innovation	Navi Mumbai	Rutuja Doiphode	NA
11	Dhanashree Dhananjay Patil	BE COMPS	dhanuptl1208@gmail.com	8433692898	Caden Enterprises	Work From Home	Suyash Patil	cadenenterprise@gmail.com
12	Disha Rajendra Mankawle	BE Computer	dmankawle@gmail.com	7498655986				
13	Aditya Sunil Kate	BE Computer	adiikate27@gmail.com	9370881552				
14	Shyamal Sanjay Narwade	BE Computer	shyamalnarwade1@gmail.com	9220278049	ADITYA BIRLA HINDALCO	Taloja, Panvel	NA	NA
15	Shyamal Sanjay Narwade	BE Computer	shyamalnarwade1@gmail.com	9220278049	Gram Tarang (Partner of NSDC-Govt of India)	Virtual Intemship	NA	NA
16	Avinash Chandan	TE COMP	Avinashchandan12@gmail.com	7903734549	TCR Innovation	Work from home	Rutuja Doiphode	NA
17	Prasad Bhale	TE COMP	prasadbhale000@gmail.com	7799024060	TCR Innovation	Navi Mumbai	Rutuja Doiphode	NA
18	Ashish Jha	TE COMP	ashishjha2000.aj@gmail.com	9711494058	TCR Innovation	Work from home	Rutuja Doiphode	NA
19	Shyam Ranjeet Pawar	TE COMP	sym@bitfringe.com	7977101137	BitFringe Tech Pvt. Ltd.	Navi Mumbai / WFH	Dhiraj Chalse	dhiraj@bitfringe.com
20	Shreyash Dhanawade	TE Comps	shreyash2612@gmail.com	8976269021	Elite Technology Group	Work from home	na	internship.elitechnogroups@gmail.com
21	Shreyash Dhanawade	TE Comps	shreyash2612@gmail.com		Supraja Technologies	Work from home	Santosh Chaluvadi	contact@suprajatechnologies.com
22	Shreyash Dhanawade	TE Comps	shreyash2612@gmail.com	8976269021	iFortis Corporate	Work from home	ishika bhoir	ishikabhoir.ifortiscorporate@gmail.com
23	Shreyash Dhanawade	TE Comps	shreyash2612@gmail.com	8976269021	Knowledge Solution India	Work from home	Raikmar	ravinder.kamat3112@gmail.com
24	Shreyash Dhanawade	TE Comps	shreyash2612@gmail.com	8976269021	Supraja Technologies	Work from home	Santosh Chaluvadi	contact@suprajatechnologies.com
25	Nida Qureshi	TE comps	n.queshi00.nq@gmail.com	9892970468	Uptricks Services Pvt. Lmt.	PUNE	Pratik Hatzade	info@uptricksservices.com
26	Aakash Gupta	TE Computer	aakashgupta2001.2909@gmail.com	9820988234	safeworld private limited	Work from home	Deven Shah	devens@safeworld.co.in
27	Aakash Gupta	TE Computer	aakashgupta2001.2909@gmail.com	9820988234	techosto	work from home	kavin	kavin@techosto.com
28	Rahul Shinde	TE Computer	rgshinde921@gmail.com	8208724984	inventiva	work from home	NA	NA
29	Rohan Puranik	TE CS	rohanpuranik25@gmail.com	9967990416	siddha technologies	work from home	Prasad Puranik	

TRUE COPY



J.K.P.
Principal
Vishwaniketan's (I MEET)

MOBILE COMPANY CONTACT PERSON	PERIOD OF TRAINING	UPLOAD RECOMMENDATION LETTER (LINK)	UPLOAD TRAINING COMPLETION CERTIFICATES (LINK)
9.12268E+11	02 July 2020 to 09 July 2020		
	17 June 2019 to 23 June 2019		
	02 July 2020 to 09 July 2020		https://drive.google.com/file/d/1OZVzd7Nj-Vkpcstiw_YTz4DRWETf/view?usp=drivesdk
	02 July 2020 to 09 July 2020		
8669081938		Update later	
9821286831		Upload later	https://drive.google.com/file/d/1140JFzrxow5gCuei-SXxuORstlApp5oV/view?usp=sharing
NA		upload later	
NA	1 July to 1 September	NA	ongoing
9819517276	5.5.2021-18.6.21	NA	ongoing
9819517276	15/7/2021 - 30/8/2021	https://drive.google.com/file/d/1WJwV3.../view?usp=drivesdk	https://drive.google.com/file/d/1YsYTr8NvppO90hwHrkQ-1Lrk9Sdjin-/view?usp=drivesdk
NA	December 2020 to February 2021	NA	https://drive.google.com/file/d/1T7uafwd9y67snST1vzrz-GeSpDxvVNg2NH/view?usp=drivesdk
NA	18th June 2019 - 25th June 2019		
NA	23rd July 2021 - 20th August 2021		
9819517276	25.06.2021 - 25.08.2021	https://drive.google.com/file/d/1AkOz7.../view?usp=sharing	https://drive.google.com/file/d/17m8ThtzFxlGm-f5ouZ4GN6Hh9FCBGzJb/view?usp=sharing
9819517276	25.06.2021 - 25.08.2021	https://drive.google.com/drive/folders/1rHf47eUB3d3Xg3OgbM3BcsFajM67FJR?usp=sharing	https://drive.google.com/file/d/1K1zMQOBxZzvU9q2UZE46TCMewFNtcQaW/view?usp=sharing
9819517276	25.06.2021 - 25.08.2021	https://drive.google.com/file/d/1A4dtxaOGM2mzen71JC0z5t-2DZvRHs/view?usp=sharing	https://drive.google.com/file/d/1A4dtxaOGM2mzen71JC0z5t-2DZvRHs/view?usp=sharing
9833396946	Oct 2020 - Present	https://drive.google.com/file/d/1ScIXVn.../view?usp=sharing	https://drive.google.com/drive/folders/1iZEKjalbK8uT5MFbVCLN4Cha05U6f1cV?usp=sharing
9.17743E+11	4th August 2021 to 19th September 2021	Offer letter	https://drive.google.com/file/d/1aS3Im8-PhW73Cp8OLcpOUV_PVQbz9reV/view?usp=sharing
95500 55338	19th April to 26th June	On going	
81499 70787	31st may to 16th July	https://drive.google.com/file/d/1H.../view?usp=sharing	On going
91565 49917	13th september 2020 to 18th november 2020	https://drive.google.com/file/d/1gK.../view?usp=sharing	https://drive.google.com/drive/folders/1rYaEpVPcZzx-VqDDEzUAzmtosK1z11As?usp=sharing
95500 55338	4th August 2020 to 4th october 2020	https://drive.google.com/file/d/1gK.../view?usp=sharing	https://drive.google.com/file/d/1a5gXdcHFxJFNmEheS1UPnBus2f5qTAY/view?usp=sharing
7030674732	29th June 2021 to 27th August 2021		https://drive.google.com/file/d/1i1ZwL4t7LU1hNOVPrFwFhHSRIMnavT0s/view?usp=sharing
9825060116	2 months		https://drive.google.com/file/d/110Zpd3xDIPK4JoNzSd4t7bHT4-0BYJ5x/view?usp=sharing
98370 27647	3 months		https://drive.google.com/file/d/1P-zL1RSXNk5QVIs69stQLBylv9K7p/view?usp=drivesdk
7723840916	2 months		https://drive.google.com/file/d/11CMsare5F3rsu1wKb2TreSshkEZDBXf/view?usp=sharing
	15 July 2021 to 15 September	https://drive.google.com/file/d/1D5yh4.../view?usp=drivesdk	ongoing
			Ongoing
			On going



[Signature]

Principal
Vishwaniketan's (I MEET)

TRU 0000

A.Y 2020-21

NGB.

NGB GmbH, Lietzenburger Str. 22, 10789 Berlin

NGB Verwaltungs- und Beteiligungsges. mbH
Lietzenburger Str. 22, 10789 Berlin
Telefon: 0049 (0)30 236 309 20
Telefax: 0049 (0)30 236 309 19
E-Mail: info@ngb-immobilien.de
Web: www.ngb-immobilien.de

Certificate Of Appreciation

This is to certify that **Mr. Ayush Chaudhari** worked on the Chatbot Project for NGB-Living, Berlin, Germany during the period from 15.05.2020 to 31.07.2020. We found him to be sincere, hardworking and technically sound. His valuable contributions to the project have helped to shape the I.T tool in a very effective asset for the organization.

We thank him for his efforts and wish him all the best for his future endeavours.


Dettlef Müller
COO & Co-Founder

Place: Berlin, Germany
July, 28th, 2020

NGB Verwaltungs- und
Beteiligungsgesellschaft GmbH
Sitz der Gesellschaft:
Lietzenburger Str. 22
10789 Berlin
Registergericht Berlin
HRB 149066 B

Vertretungsberechtigter:
Frau Natalia Müller
Aufsichtsbehörde: Wirtschaftsamt
Wilmsdorf, Charlottenburg
Hohenzollerndamm 174-177.
10713 Berlin

Commerzbank
Kontonummer: 6534333
BLZ: 10040000
Kontoinhaber: NGB GmbH
IBAN: DE88 1004 0000 0653 4333
00
SWIFT / BIC: COBADEFFXXX
UstID: DE238357862

TRUE COPY




Principal
Vishwaniketan's (I MEET)



(X)

Industry Inspire Talks

Let's get inspired!

Dear Tanmay,

We are delighted to inform you that you have been selected as a **Backend Developer** for **Industry Inspire Talks Team**. Your skills and experience shows that you are an ideal fit for the job role.

Industry Inspire Talks is a non-profit community where we invite successful people from the industry to share their journeys. This is what we do here, We inspire people to achieve greater heights in their career! Our mission is to empower every person on this planet to achieve more in their future careers. Our vision is to inspire people with their stories of hustle & dedication towards their dreams and make an impact in their lives! We are here to connect you with leaders of the industry so you can transform yourself into a leader.

We also do Industry-oriented events on our channel. Come let's do something for the community. If you are a community person too, this is the place where you truly belong! Welcome to the #Inspire Community!

We believe that our team is our biggest strength and we take pride in hiring the best. All the best for your journey with us. We hope a great contribution from your side.

Thanks & Regards,

Omkar Shinde
Founder & Host

Industry Inspire Talks



D.P.
Principal
Vishwaniketan's (I MEET)

TRUE COPY

Signature

January 16, 2021

Aridnik Private Limited

9-56/1, Venkatadri Township, Chowdariguda,
Telangana, India - 500088

Contact: +91 9148587494 **Email:** careers@aridnik.com
aridnik.com theLeadersPage.com

Letter of Recommendation

Re: Miss. Manasi Dinesh Malkar,

This letter is in reference to **Manasi Dinesh Malkar** who has worked as **Web Development, Intern** at **Aridnik Cloud Solutions(Aridnik Pvt. Ltd)** from **Oct 5, 2020** to **Dec 5, 2020**.


Although **Manasi Dinesh Malkar** does not report to me directly, I have observed her professional demeanor and interactions with others to be exemplary. **Manasi Dinesh Malkar** is approachable, bright, eager to help and leads other as well.

From **Manasi Dinesh Malkar**'s work experiences with us and a strong drive to her education, it is my opinion that she will continue to grow in her profession and will no doubt succeed in reaching her goals.

We wish her all the very best for her future.

Yours Sincerely,

For Aridnik Cloud Solutions (Aridnik Pvt. Ltd)



Ramya Reddy Papolu
Manager - Human Resources



Principal
Vishwaniketan's (I MEET)

TRUE COPY



the Leaders Page

BRANDING LEADER'S PROFILES

9th February, 2021

To,

Ms Neha Mishra
New Mumbai

Subject: SIX MONTHS INTERNSHIP CONFIRMATION LETTER
Dear Neha Mishra,

We are pleased to extend you an offer for an internship with **Brandbuddiez Technologies Pvt Ltd** as a Business Intern.

This letter will memorialize the terms of your engagement with Brandbuddiez Technologies Pvt Ltd. We look forward to your joining and helping us grow the Company's business!

The terms of your contract are as follows:

Duration: 6 Months

Start Date: 10th February 2021

End Date: 30th-Jun-2021

Working Hours: You will work 6 days per week from 9:30 am to 6:30 pm.

Confidentiality and Invention Assignment: Your Contract is conditioned upon your execution of Confidentiality and Invention Assignment Agreements and agreement to abide by the terms and conditions of those Agreements. Failure to abide by the terms of the Agreements may result in your dismissal, and you are subject to their terms even after the termination of your engagement.

Stipend: This is a paid internship. The said stipend of Rs.5000 will be paid to you between the 8th and the 15th of the following month.

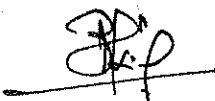
Completion: The completion certificate will be issued at the successful completion of the Contract. The permanent position will be considered on meeting the requirement of the organisation which will be indicated to you during the final months of internship

Warm Regards,

RAMESH CHEMBATH
DIRECTOR
BRANDBUDDIEZ TECHNOLOGIES PVT. LTD

Ramesh Chembath
Brandbuddiez Technologies Pvt. Ltd
Handphone - 09820609412




Principal
Vishwaniketan's (I MEET)

TRUE COPY

Ramesh Chembath
Brandbuddiez Technologies Pvt. Ltd
Handphone - 09820609412

Scanned By CamNScan

Appointment letter

Date : 09/02/21

Ritik Devi Dayal Sharma
Address : 703 Sarthi palace,
plot no. - 25D, sector 7, Navi Mumbai,
Maharashtra - 410206

Dear Ritik Devi Dayal Sharma,
We are pleased to take you as a software engineer with GreenBord on the following terms and conditions.

Date of joining : 09/02/21

Designation : Software engineer

Salary

- Fixed compensation : Rs. 30,000/- per month
- Variable compensation : Rs. 15,000/- per month (based on your performance)

Job Location : Currently Remote

Working Hours : The working days will start normally from Monday and end on Saturday.
Generally the working hrs. for your profile will be 9AM to 6PM (flexible with timing)

Leave Policy

- Paid vacation / Annual leave : You are entitled to one day of earned leave for every 20 days of service.
- Sick leave : You are entitled to 12 days of sick leave in a year.

Notice Period Clause : If the employee desires to leave the company, he needs to serve the notice period of 10 days.

Terms & Conditions

You will be required to comply with all such policies, procedures, rules and regulations, which are in force for the time being or may be framed and implemented from time to time.

GreenBord reserves the right to terminate your offer forthwith without notice or liability for compensation or damages upon the happening of any of the following events:

- (a) If any declaration given or information furnished by you to the Company proves to be false, or if you are found to have willfully suppressed any material information
- (b) If you are guilty of any grave misconduct or willful neglect in the discharge of your duties hereunder or;
- (c) If the Company is restricted from conducting to employ you by reason of any other legal incapability;
- (d) If you remain absent for 5 or more consecutive days without any intimation to the Company and failing to answer (i.e. give a satisfactory explanation for the unauthorized leave) any written communication issued by the Company in this regard.

The Company reserves the right to withdraw this offer or to modify any terms, without any prior notice, at its sole discretion.

Ownership Rights : All works created by you belong to the GreenBord under the "Work made for hire" Copyright Law.

We congratulate you on your appointment and wish you a long career with us. We assure you have a great journey and get our full support for your professional growth and development.

Sincerely,
GreenBord


Vivek Kumar Giri, Co-founder & CEO

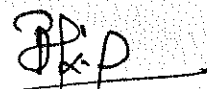
Accept appointment letter by signing below

Signature :


Name : Ritik Devi Dayal Sharma, Software Engineer

TRUE COPY




Principal
Vishwaniketan's (I MEET)

STARWISP INDUSTRIES, INC.

M-52 Delta III, Greater Noida, India - 201308

M. +917289038655

E-mail: info@starwispindustries.com

STARWISP INDUSTRIES

Subject: Starwisp Industries Letter 2020-01-04

Dear Ritik Devidayal Sharma

We here at Starwisp Industries Private Limited (CIN No. U72900UP2020PTC130876) are very pleased to offer you the position of frontend intern building the next generation of edtech with Starwisp Industries. Please find the following confirmation of the specifics for your internship.

As an intern, you will be working alongside our team frontend engineers, reporting to Shuja Baktiar (Frontend Team Leader) & Chetas Murali (CTO)

The internship period will be 6 months starting **2021-01-05**. Performance based stipend will be provided second month onwards along with the opportunity to join our team full-time after the successful completion of the internship.

If you accept this offer, we would appreciate your signing and returning at your earliest convenience a copy of this letter along with the NDA/confidentiality agreement emailed to you via info@starwispindustries.com cc hr@starwispindustries.com

Sincerely

Dhruv Singh
(CEO)



I accept the above offer :

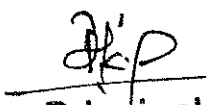
Name : Ritik Devidayal Sharma



Date
2021-01-04

TRUE COPY




Principal
Vishwaniketan's (I MEET)

STARWISP INDUSTRIES, INC.

M-52 Delta III, Greater Noida, India - 201308

M. +917289038655

E-mail: info@starwispindustries.com

STARWISP INDUSTRIES*

Subject: Starwisp Industries Letter 2021-01-18

Dear Shivani Shimpi,

We here at Starwisp Industries Private Limited (CIN No. U72900UP2020PTC130876) are very pleased to offer you the position of full-time A.I. Intern building the next generation of edtech with Starwisp Industries. Please find the following confirmation of the specifics of your full-time employment.

As a full-time Intern, you will be working alongside our team of frontend and backend engineers, reporting to Chetas Murali (CTO) and Dhruv Singh (CEO)

Your initial monthly stipend will be 12500 INR

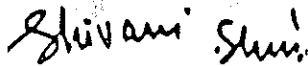
If you accept this offer, we would appreciate your signing and returning at your earliest convenience a copy of this letter along with the NDA/confidentiality agreement emailed to you via info@starwispindustries.com

Sincerely

Dhruv Singh
+917289038655
(CEO)



I accept the above offer :



Name

Date

2021-01-18

TRUE COPY



Principal
Vishwaniketan's (I MEET)

NGB.

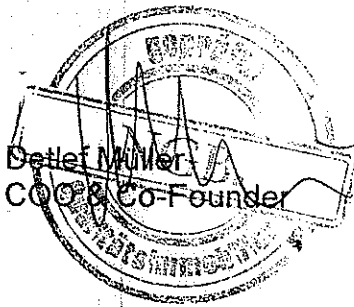
NGB GmbH, Lietzenburger Str. 22, 10789 Berlin

NGB Verwaltungs- und Beteiligungsges. mbH
Lietzenburger Str. 22, 10789 Berlin
Telefon: 0049 (0)30 236 309 20
Telefax: 0049 (0)30 236 309 19
E-Mail: info@ngb-immobilien.de
Web: www.ngb-immobilien.de

Certificate Of Appreciation

This is to certify that **Mr. Srijan Singh** worked on the Chatbot Project for NGB-Living, Berlin, Germany during the period from 15.05.2020 to 31.07.2020. We found him to be sincere, hardworking and technically sound. His valuable contributions to the project have helped to shape the I.T tool in a very effective asset for the organization.

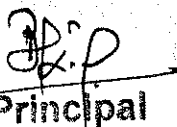
We thank him for his efforts and wish him all the best for his future endeavours.



Place: Berlin, Germany
July, 28th, 2020

TRUE COPY




Principal

Vishwaniketan's (I MEET)

NGB Verwaltungs- und
Beteiligungsgesellschaft GmbH
Sitz der Gesellschaft:
Lietzenburger Str. 22
10789 Berlin
Registergericht Berlin
HRB 149066 B

Vertretungsberechtigter: ★
Frau Natalia Müller
Aufsichtsbehörde: Wirtschaftsamt
Wilmerdorf, Charlottenburg
Hohenzollerndamm 174-177,
10713 Berlin

Commerzbank
Kontonummer: 6534333
BLZ: 10040000
Kontoinhaber: NGB GmbH
IBAN: DE88 1004 0000 0653 4333
00
SWIFT / BIC: COBADEFFXXX
UstID: DE288357862



INTERNSHIP AGREEMENT

.....

Habbit Pvt Ltd is a company incorporated under the provisions of company act 1956 and having its registered office in Bangalore (hereinafter referred to as the "**Company**"), which expression shall include its successors and permitted assigns) of the **First Part**.

AND

Srijan Singh , (hereinafter referred to as the "Intern" which expression shall include his/her heirs, executors administrators, and permitted assigns) of the **Second Part**.

(The Company and the Intern shall hereinafter be referred to individually as a "Party" and collectively as "Parties", as the context may require.)

NOW THEREFORE, in consideration of the terms and conditions contained herein, the parties hereto intending to be legally bound, hereby agree as follows:

1. DEFINITIONS AND INTERPRETATION

1.1 "**Affiliate(s)**" shall mean, with respect to any Person (as defined below), any person, corporation, association or other Person, which directly or indirectly, controls, is controlled by or is under common control with the first named Person. If such Person is an individual, the term "Affiliate" shall include a Relative (as defined below) of such individual;

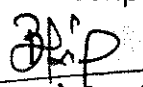
1.2 "Agreement" or "Internship Agreement" shall mean this internship agreement, as amended, modified or supplemented from time to time, in accordance with its terms;

1.3 "Assigned Inventions" shall have the meaning as set forth in clause 7.3;

1.4 "Confidential Information" means and includes, information which is confidential and proprietary to the Company and/or Affiliates and/or to certain third parties with which the Company and/or Affiliates has relationships, and disclosed to or obtained by the Intern from the Company and/or Affiliates and/or such third parties, whether (without limitation) in graphic, written, electronic or machine readable form on any media or orally and whether or not the information is expressly stated to be confidential or marked as such and includes, but is not limited to information of value or significance to the Company and/or Affiliates and/or its competitors (present or potential) such as Company's Intellectual Property ; content; data; techniques; plans; designs; programs; customer information; identity and job descriptions of Company Personnel.

TRUE COPY




Principal
Vishwaniketan's (I MEET)

1.5 "Governmental Authority" means any statutory authority, government department, agency, commission, board, tribunal, court or other entity in India authorized to make laws;

1.6 "IP Rights" or "Intellectual Property" shall mean all rights in and in relation to all intellectual property rights subsisting in the products, software, etc, developed, being developed, or proposed to be developed by the Company including all patents, patent applications, moral rights, trademarks, trade names, service marks, service names, brand names, internet domain names, and sub-domains, inventions, processes, formulae, copyrights, business and product names, logos, trade secrets, industrial models, formulations, processes, designs, database rights, methodologies, computer programs (including all source codes), technical information, manufacturing, registrations of patents, entity models, trademarks, service marks, copyrights, designs and internet domain names and sub-domains, and all other intellectual property or similar proprietary rights of whatever nature (whether registered or not) in each case anywhere in the world.

1.7 "Law" shall mean and include all applicable statutes, enactments and acts of parliament and legislature and are recognised by the Judiciary of India

2. TERM AND SCOPE OF WORK

2.1 The term of this agreement shall begin on **24th February 2021**. The company shall assign the Intern work according to its requirements and the Intern must complete the work assigned, meet the standard and quality of work and shall not exceed the scope of authority assigned by the company

3. INTERNSHIP PERIOD

3.1 The Internship period will be for three months and post the completion of the stipulated time, the Intern will be subjected to performance evaluation and upon satisfactory results by the Reporting head, the Intern will be offered a full time role in the organisation

3.2 At any point of the Internship duration, the Intern is not met with the expected standards in terms of work output/ contribution - the reporting heads decision to stop/resume the internship of the Intern will be final.

4. COMPENSATION

4.1 The Intern will receive a compensation of 10000 INR per month. The compensation will be paid at the end of each month.

TRUE COPY



Principal

Vishwaniketan's (MEET)

4.2 The compensation will be subject to and will be taking into consideration any additional leaves taken by the Intern apart from the weekly off as per the company norms

4.3 The details of the compensation are strictly confidential between the Intern and the company and should not be divulged with any other third party within or outside the organisation and the Intern is subjected to legal proceedings if happens so

5. WORKING HOURS AND LEAVE

5.1 The Intern will abide by the working hours and code of conduct set up by the company and is expected to work 6 days/week and is subjected to all the public holidays according to the Indian Calendar

6. LOCATION

6.1 The working location is Work From Home keeping in mind the pandemic and the Intern might be required to relocate to Bangalore if needed by the organisation in the foreseeable future

7. TERMINATION

7.1 The Intern can terminate the internship by giving 30 days of notice to the company and the thirty days duration starts post the companies acceptance of the termination and the Intern is expected to a thorough Knoweldge Transfer to the replacement and is also subejected to the various exit formalities by the company

7.2 The Intern is subjected to Immediate Termination if he/she is found violating/breach of any terms and conditions set up by the employee and is subjected to a hearing by the company and the deicison of the company is final thereof

8. CONFIDENTIAL INFORMATION

8.1 The Intern, agrees to withhold all the information/data that he/she is exposed to during the duration of internship and hold in strictest confidence to all the data points and wille be using the data for exclusive companys benefit and not for any sort of personal requirement

8.2 The Intern agrees to that he/she shall not at any time after the termination of this agreement in any way divulge the company data/ operations, methadology to any 3rd party and is subjected to scrutiny if found voilating the above agreement

8.3 The Intern agrees that the various data that is shared with he/she during the course of the internship is strictly confidential and shall not disclose/distribute/share/communicate to any individual/party that does not have the companies best interests.

TRUE COPY



J.P.
Principal
Vishwaniketan's (I MEET)

9. INTELLECTUAL PROPERTY

9.1 The Intern confirms and agrees that the extent to which the Intern has created and will create during the time of the Internship is the property of company in any manner whatsoever and the Intern is also agreeing that the work created by him/her during the course of the internship shall be "work for hire" under the law of companies act.

9.2 The Intern hereby agrees and undertakes to transfer and assign to the company any sort of Inventions/Trademarks that his/her work is subjected to during the course of the internship.

10. GENERAL PROVISIONS

10.1 Communication :The Intern undertakes to provide accurate details about his/her qualifications and academic performance and previous work experience that maybe requested by the company from time to time and the Intern shall communicate any address/health status change to the company when needed to

10.2 Governing Law : This Agreement will be governed by the Laws of Republic of India. The Intern hereby expressly consents to the exclusive jurisdiction of the courts located in Bangalore for any lawsuit filed by either party arising from or relating to the agreement

10.3 No modification or amendment to this Agreement or any waiver of any rights under this Agreement will be effective unless made in writing and signed by both the parties

IN WITNESS THEREOF, the parties have entered into this Agreement on the day and year first mentioned above at Bangalore, India

For Habbit Pvt.Ltd

Intern

Authorised Signatory

Signature

TRUE COPY



[Handwritten Signature]
Principal
Vishwaniketan's (I MEET)

JPMORGAN CHASE & CO.



Inspiring and empowering
future professionals

Siddhi Takawade

Software Engineering Virtual Experience

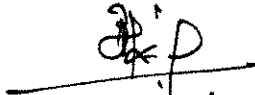
Certificate of Completion
June 12th, 2020

Over the period of April 2020 to June 2020, Siddhi Takawade has completed practical task modules in:

Establishing Financial Data Feeds
Frontend Web Development
Data Visualization with Perspective

TRUE COPY




Principal
Vishwaniketan's (I MEET)



CERTIFICATE OF INTERNSHIP

This is to certify that :

Mr./Mrs. **Ankita Hira Mourya**

is awarded the

Programme Internship Certificate

on successful completion of Internship at Dezignolics

from **02/07/2020** to **21/07/2020** in **HTML5, CSS3 & PHP**


We found him/ her hard-working, talented and a good team-player. He/she worked sincerely on his/her assignments and his/her performance was indeed as per excellence.

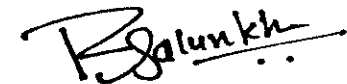
21/07/2020

Date

TRUE COPY




Principal
Vishwaniketan's (I MEET)



Director
(Reshma Salunkhe)

CERTIFICATE OF INTERNSHIP

This is to certify that :

Mr./Mrs. **Dhanashree Subhash Patil**

is awarded the

Programme Internship Certificate

on successful completion of Internship at Dezignolics


from **02/07/2020** to **21/07/2020** in **HTML5,CSS3 & PHP**

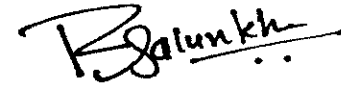
We found him/ her hard-working, talented and a good team-player. He/she worked sincerely on his/her assignments and his/her performance was indeed as per excellence.

21/07/2020
Date

TRUE COPY




Principal
Vishwaniketan's (I MEET)


Director
(Reshma Salunkhe)



CERTIFICATE OF INTERNSHIP

This is to certify that :

Mr./Mrs. **Jatin more**

is awarded the

Programme Internship Certificate

on successful completion of Internship at Dezignolics

from **02/07/2020** to **21/07/2020** in **Asp.Net & SQL**

We found him/ her hard-working, talented and a good team-player. He/she worked sincerely on his/her assignments and his/her performance was indeed as per excellence.

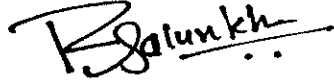
21/07/2020

Date

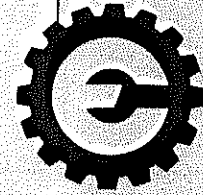
TRUE COPY




Principal
Vishwaniketan's (I MEET)


Director
(Reshma Salunkhe)

Certificate of Appreciation



Confio Engineering Solution Pvt Ltd gives

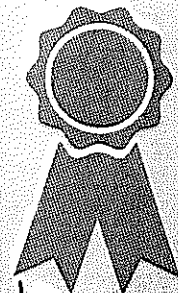
Manasi Malkar

this award for her stellar performance in development of the corporate website of Confio Engineering Solution Pvt Ltd, Pune. She displayed highest level of temperament and used her knowledge of HTML and CSS in developing the website. We wish her success in future.

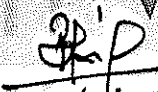
A handwritten signature in black ink, appearing to read 'Ashish Kshirsagar', positioned above a horizontal line.

ASHISH KSHIRSAGAR

Director, CTO



TRUE COPY


Principal
Vishwaniketan's (I MEET)



CERTIFICATE OF INTERNSHIP

This is to certify that :

Mr./Mrs. Pratik Deshmukh

is awarded the

Programme Internship Certificate

on successful completion of Internship at Dezignolics

from 02/07/2020 to 21/07/2020 in HTML5, CSS3 & PHP

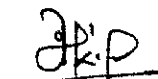
We found him/ her hard-working, talented and a good team-player. He/she worked sincerely on his/her assignments and his/her performance was indeed as per excellence.


21/07/2020

Date

TRUE COPY




Principal
Vishwaniketan's (I MEET)


Director
(Reshma Salunkhe)



CERTIFICATE OF INTERNSHIP

This is to certify that :

Mr./Mrs. **Krishnam Dongre**

is awarded the

Programme Internship Certificate

on successful completion of Internship at Dezignolics

from **02/07/2020** to **21/07/2020** in **HTML5,CSS3 & PHP**

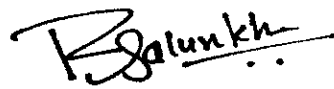
We found him/ her hard-working, talented and a good team-player. He/she worked sincerely on his/her assignments and his/her performance was indeed as per excellence.

21/07/2020


Date

TRUE COPY





Director
(Reshma Salunkhe)



Principal
Vishwaniketan's (I MEET)

Office of the Divisional Engineer,
Satellite Earth Station, Yeur
Western Telecom Region,
I & C Unit, Yeur, Thane-401 605,
☎ 022-25886348 for@sa 022-25888091



भारत संचार निगम लिमिटेड
(भारत सरकार का उपक्रम)
BHARAT SANCHAR NIGAM LIMITED
(A Govt. of India Enterprise)

Certificate

for Advance Level Vocational /Industrial Training
with Specialization in Telecom Transmission
Technologies- Satellite Communications and OFC.

This is to certify that **Mr. Aniketh Narayan Gaonkar** student of
**Vishwaniketan's Institute of Management
Entrepreneurship and Engineering Technology, Raigad**
pursuing **Bachelor of Engineering** has successfully completed
Industrial/ Vocational Training for **one week** in advanced telecom
with Specialization in Telecom Transmission Technologies -
Satellite Communication and OFC with effect from 17/06/2019 at
Satellite Earth Station, Yeur, Thane.

His performance during this training was **Excellent.**

BSNL wishes him all the best for a bright future.

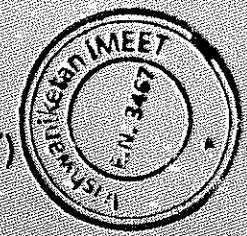
Place : Yeur, Thane
Date : 21-06-2019

Revathi B
(REVATHI B)
Divisional Engineer (Satellite Mtce.)
Satellite Earth Station,
Yeur, Thane.



J.P.
Principal

TRUE COPY Vishwaniketan's (I MEET)



Office of the Divisional Engineer,
Satellite Earth Station, Yeur
Western Telecom Region,
J.K. Gram, Yeur, Thane-400 606.
☎ : 8275006548, fo@sa.022-25888091.



भारत संचार निगम लिमिटेड
(भारत सरकार का उपक्रम)
BHARAT SANCHAR NIGAM LIMITED
(A Govt. of India Enterprise)

Certificate

for Advance Level Vocational /Industrial Training
with Specialization in Telecom Transmission
Technologies- Satellite Communications and OFC.

This is to certify that Mr. Dharmik Rajesh Joshi student of
Vishwaniketan's Institute of Management
Entrepreneurship and Engineering Technology, Raigad
pursuing Bachelor of Engineering has successfully completed
Industrial/ Vocational Training for one week in advanced telecom
with Specialization in Telecom Transmission Technologies -
Satellite Communication and OFC with effect from 17/06/2019 at
Satellite Earth Station, Yeur, Thane.

His performance during this training was **Excellent**.

BSNL wishes him all the best for a bright future.

Place : Yeur, Thane

Date : 21-06-2019

Rensuljal
(REV.ATHB)

Divisional Engineer (Satellite Mtce.)
Satellite Earth Station,
Yeur, Thane.

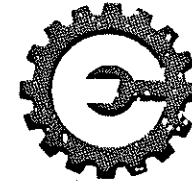


TRUE COPY

D.P.
Principal
Vishwaniketan's (IMEET)



Certificate of Appreciation



Confio Engineering Solution Pvt Ltd gives

Manasi Malkar

this award for her stellar performance
in development of the corporate website of Confio Engineering
Solution Pvt Ltd, Pune. She displayed highest level of temperament
and used her knowledge of HTML and CSS in developing the
website. We wish her success in future.

ASHISH KSHIRSAGAR

Director, CTO



Principal

Vishwaniketan's (I MEET)

TRUE COPY





THE SPARKS FOUNDATION



THIS IS PRESENTED TO

ANIKETH NARAYAN GAONKAR

Pranav Dubey

PRANAV DUBEY
DIRECTOR

07/26/2021

DATE

for successful selection as an intern at The Sparks
Foundation for function Data Science & Business
Analytics.



CODE: K3DAY5BNL6

Verify at:

<https://truecertificates.com/>



Princip

Principal
Vishwaniketan's (I MEET)

TRUE COPY

NGB.

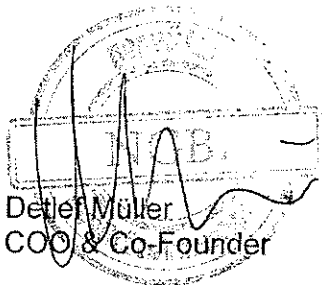
NGB GmbH, Lietzenburger Str. 22, 10789 Berlin

NGB Verwaltungs- und Beteiligungsges. mbH
Lietzenburger Str. 22, 10789 Berlin
Telefon: 0049 (0)30 236 309 20
Telefax: 0049 (0)30 236 309 19
E-Mail: info@ngb-immobilien.de
Web: www.ngb-immobilien.de

Certificate Of Appreciation

This is to certify that **Ms. Kirti Ahirrao** mentored the Chatbot Project for NGB-Living, Berlin, Germany during the period from 15.05.2020 to 31.07.2020. Her guidance proved to be extremely valuable for the progression of the project. She displayed remarkable academic and administrative skills during her association with the project.

We thank her for her efforts and wish her all the best for her future endeavours.

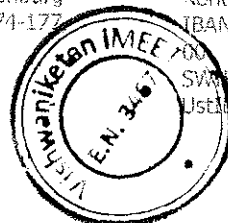


Place: Berlin, Germany
July, 28th, 2020

NGB Verwaltungs- und
Beteiligungsgesellschaft GmbH
Sitz der Gesellschaft:
Lietzenburger Str. 22
10789 Berlin
Registergericht Berlin
HRB 149066 B

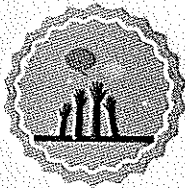
Vertretungsberechtigter:
Frau Natalia Müller
Aufsichtsbehörde: Wirtschaftsamt
Wilmsdorf, Charlottenburg
Hohenzollerndamm 174-177
10713 Berlin

Commerzbank
Kontonummer: 6534333
BLZ: 10040000
Kontoinhaber: NGB GmbH
IBAN: DE88 1004 0000 0653 4333
SWIFT / BIC: COBADEFFXXX
Usta: DE288357862



Principal
Vishwaniketan's (I MEET)

TRUE COPY



THE SPARKS FOUNDATION
INSPIRE. INNOVATE. INTEGRATE

CERTIFICATE OF COMPLETION

This Certificate is presented to

Aniketh Narayan Gaonkar

for an outstanding contribution during the session (Aug 2021 - Sep 2021) of
Graduate Rotational Internship Program at The Sparks Foundation on 02-Nov-2021.



Certificate Number: 22WU5AR4V

Verification at:
<https://truecertificates.com/verification/>

PRANAV DUREY
MANAGING DIRECTOR

TRUE COPY



Principal
Vishwaniketan's (I MEET)

NGB.

NGB GmbH, Lietzenburger Str. 22, 10789 Berlin

NGB Verwaltungs- und Beteiligungsges. mbH
Lietzenburger Str. 22, 10789 Berlin
Telefon: 0049 (0)30 236 309 20
Telefax: 0049 (0)30 236 309 19
E-Mail: info@ngb-immobilien.de
Web: www.ngb-immobilien.de

Certificate Of Appreciation

This is to certify that **Mr. Ritik Sharma** worked on the Chatbot Project for NGB-Living, Berlin, Germany during the period from 15.05.2020 to 31.07.2020. We found him to be sincere, hardworking and technically sound. His valuable contributions to the project have helped to shape the I.T tool in a very effective asset for the organization.

We thank him for his efforts and wish him all the best for his future endeavours.


Detlev Müller
COO & Co-Founder

Place: Berlin, Germany
July, 28th, 2020

TRUE COPY




Principal

Vishwaniketan's (I MEET)

NGB Verwaltungs- und
Beteiligungsgesellschaft GmbH
Sitz der Gesellschaft:
Lietzenburger Str. 22
10789 Berlin
Registergericht Berlin
HRB 149066 B

Vertretungsberechtigter:
Frau Natalia Müller
Aufsichtsbehörde: Wirtschaftsamt
Wilmerdorf, Charlottenburg
Hohenzollerndamm 174-177,
10713 Berlin

Commerzbank
Kontonummer: 6534333
BLZ: 10040000
Kontoinhaber: NGB GmbH
IBAN: DE88 1004 0000 0653 4333
00
SWIFT / BIC: COBADEFFXXX
UstID: DE288357862

NGB.

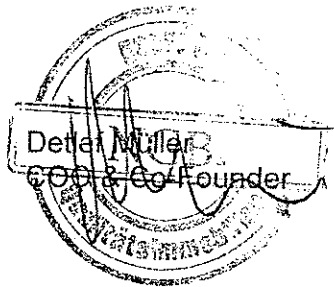
NGB GmbH, Lietzenburger Str. 22, 10739 Berlin

NGB Verwaltungs- und Beteiligungsges. mbH
Lietzenburger Str. 22, 10789 Berlin
Telefon: 0049 (0)30 236 309 20
Telefax: 0049 (0)30 236 309 10
E-Mail: info@ngb-immobilien.de
Web: www.ngb-immobilien.de

Certificate Of Appreciation

This is to certify that **Mrs. Charusheela Pandit** mentored the Chatbot Project for NGB-Living, Berlin, Germany during the period from 15.05.2020 to 31.07.2020. Her guidance proved to be extremely valuable for the progression of the project. She displayed remarkable academic and administrative skills during her association with the project.

We thank her for her efforts and wish her all the best for her future endeavours.



Place: Berlin, Germany
July, 28th 2020

TRUE COPY



Principal

Vishwaniketan's (I MEET)

NGB Verwaltungs- und
Beteiligungsgesellschaft GmbH
Sitz der Gesellschaft:
Lietzenburger Str. 22
10789 Berlin
Registergericht Berlin
HRB 149066 B

Vertretungsberechtigter:
Frau Natalie Müller
Aufsichtsbehörde: Wirtschaftsamt
Wilmsdorf, Charlottenburg
Hohenzollerndamm 174-177,
10713 Berlin

Commerzbank
Kontonummer: 6534333
BLZ: 10040000
Kontoinhaber: NGB GmbH
IBAN: DE88 1004 0000 0653 4333
00
SWIFT / BIC: COBADEFFXXX
UsID: DE289357862



EMPLOYEE AGREEMENT

.....
Habbit Pvt Ltd is a company incorporated under the provisions of company act 1956 and having its registered office in Bangalore (hereinafter referred to as the "**Company**"), which expression shall include its successors and permitted assigns) of the **First Part**.

AND

Srijan, (hereinafter referred to as the "**Employee**" which expression shall include his/her heirs, executors administrators, and permitted assigns) of the **Second Part**.

(The Company and the employee shall hereinafter be referred to individually as a "Party" and collectively as "Parties", as the context may require.)

NOW THEREFORE, in consideration of the terms and conditions contained herein, the parties hereto intending to be legally bound, hereby agree as follows:

1. DEFINITIONS AND INTERPRETATION

1.1 "**Affiliate(s)**" shall mean, with respect to any Person (as defined below), any person, corporation, association or other Person, which directly or indirectly, controls, is controlled by or is under common control with the first named Person. If such Person is an individual, the term "Affiliate" shall include a Relative (as defined below) of such individual;

1.2 "Agreement" or "Employee Agreement" shall mean this agreement, as amended, modified or supplemented from time to time, in accordance with its terms;

1.3 "Assigned Inventions" shall have the meaning as set forth in clause 7.3;

1.4 "Confidential Information" means and includes, information which is confidential and proprietary to the Company and/or Affiliates and/or to certain third parties with which the Company and/or Affiliates has relationships, and disclosed to or obtained by the Employee from the Company and/or Affiliates and/or such third parties, whether (without limitation) in graphic, written, electronic or machine readable form on any media or orally and whether or not the information is expressly stated to be confidential or marked as such and includes, but is not limited to information of value or significance to the Company and/or Affiliates and/or its competitors (present or potential) such as Company's Intellectual Property ; content; data; techniques; plans; designs; programs; customer information; identity and job descriptions of Company Personnel.

TRUE COPY



Vishwaniketan IMET

1.5 "Governmental Authority" means any statutory authority, government department, agency, commission, board, tribunal, court or other entity in India authorized to make laws;

1.6 "IP Rights" or "Intellectual Property" shall mean all rights in and in relation to all intellectual property rights subsisting in the products, software, etc, developed, being developed, or proposed to be developed by the Company including all patents, patent applications, moral rights, trademarks, trade names, service marks, service names, brand names, internet domain names, and sub-domains, inventions, processes, formulae, copyrights, business and product names, logos, trade secrets, industrial models, formulations, processes, designs, database rights, methodologies, computer programs (including all source codes), technical information, manufacturing, registrations of patents, entity models, trademarks, service marks, copyrights, designs and internet domain names and sub-domains, and all other intellectual property or similar proprietary rights of whatever nature (whether registered or not) in each case anywhere in the world.

1.7 "Law" shall mean and include all applicable statutes, enactments and acts of parliament and legislature and are recognised by the Judiciary of India

2. TERM AND SCOPE OF WORK

2.1 The term of this agreement shall begin on 1st July, 2021. The company shall assign the Employee work according to its requirements and the Employee must complete the work assigned, meet the standard and quality of work and shall not exceed the scope of authority assigned by the company

3. NDA & CODE OF CONDUCT

The employee agrees to sign a Non Disclosure Agreement and agrees to adhere to the Code of Conduct regulations set up by the employer

TRUE COPY



A handwritten signature in black ink, appearing to be "S. P.", written over a horizontal line.

**Principal
Vishwaniketan's (I MEET)**

4.2 The details of the compensation are strictly confidential between the Employee and the company and should not be divulged with any other third party within or outside the organisation and the Employee is subjected to legal proceedings if happens so

5. WORKING HOURS AND LEAVE

5.1 The Employee will abide by the working hours and code of conduct set up by the company and is expected to work 6 days/week and is subjected to all the public holidays according to the Indian Calendar

6. LOCATION

6.1 The working location is Work From Home keeping in mind the pandemic and the Employee might be required to relocate to Bangalore if needed by the organisation in the foreseeable future

7. TERMINATION

7.1 The Employee can terminate the job by giving 30 days of notice either to the HR team/ immediate reporting head in writing stating the reasons and the company can ask the employee to leave the organisation at any point of the time by stating valid reasons

7.2 The Employee is subjected to **Immediate Termination** if he/she is found violating/breach of any terms and conditions set up by the employer and is subjected to a hearing by the company and the decision of the company is final thereof

8. CONFIDENTIAL INFORMATION

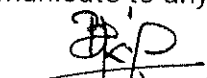
8.1 The Employee, agrees to withhold all the information/data that he/she is exposed to during the duration of his/her tenure and hold in strictest confidence to all the data points and will be using the data for exclusive company's benefit and not for any sort of personal requirement

8.2 The Employee agrees to that he/she shall not at any time after the termination of this agreement in any way divulge the company data/ operations, methodology to any 3rd party and is subjected to scrutiny if found violating the above agreement

8.3 The Employee agrees that the various data that is shared with he/she during the course of the job is strictly confidential and shall not disclose/distribute/share/communicate to any individual/party that does not have the company's best interests

TRUE COPY




Principal
Vishwaniketan's (I MEET)

9. INTELLECTUAL PROPERTY

9.1 The Employee confirms and agrees that the extent to which the Employee has created and will create during the time of his/her presence is the property of company in any manner whatsoever and the Employee is also agreeing that the work created by him/her during the course of the job shall be "work for hire" under the law of companies act.

9.2 The Employee hereby agrees and undertakes to transfer and assign to the company any sort of Inventions/Trademarks that his/her work is subjected to during the course of the job.

10. GENERAL PROVISIONS

10.1 Communication :The Employee undertakes to provide accurate details about his/her qualifications and academic performance and previous work experience that maybe requested by the company from time to time and the Employee shall communicate any address/health status change to the company when needed to

10.2 Governing Law : This Agreement will be governed by the Laws of Republic of India. The Employee hereby expressly consents to the exclusive jurisdiction of the courts located in Bangalore for any lawsuit filed by either party arising from or relating to the agreement

10.3 No modification or amendment to this Agreement or any waiver of any rights under this Agreement will be effective unless made in writing and signed by both the parties

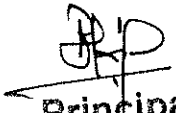
IN WITNESS THEREOF, the parties have entered into this Agreement on the day and year first mentioned above at Bangalore, India

For Habbit Pvt.Ltd

Employee

Authorised Signatory




Principal
Vishwaniketan's (I MEET)



Signature

TRUE COPY

